

### DESCRIPTION

Semicompact rod seal with an additional sealing lip

### MATERIAL

Type: Polyurethane  
 Designation: SEALPUR 93  
 Hardness: 93 °ShA

### MAIN FEATURES

Wear and dry run are largely prevented by additional lubricant retained within the gap created by the secondary lip. In some cases this second sealing lip may even act as a substitute for a costly tandem sealing system when complete sealing under certain working conditions can only be achieved by two seals placed one behind the other in separate housing. It's designed to be less sensitive to pressure fluctuations than typical "U" seals.

The material used to produce this seal is a polyurethane compound that ensures excellent properties on wear-resistance, extended service life and resistance against extrusion.

- Good sealing performance as well as at low pressure
- Extended service life
- Excellent wear-resistance
- Good temperature resistance
- Insensitive to pressure fluctuation
- Easy installation without expensive auxiliaries

### FIELD OF APPLICATION

Pressure	≤ 400 bar
Speed	≤ 0.5 m/s
Temperature	-40°C ÷ +100°C
Fluids	Hydraulic oils (mineral oil based). For other fluids contact our technical department

### SURFACE ROUGHNESS

Dynamic surface	Ra ≤ 0.3 µm	Rt ≤ 2.5 µm
Static surface	Ra ≤ 1.6 µm	Rt ≤ 6.3 µm

### GAP DIMENSION "g"

The largest gap dimension appearing in operation on the non-pressurised side:

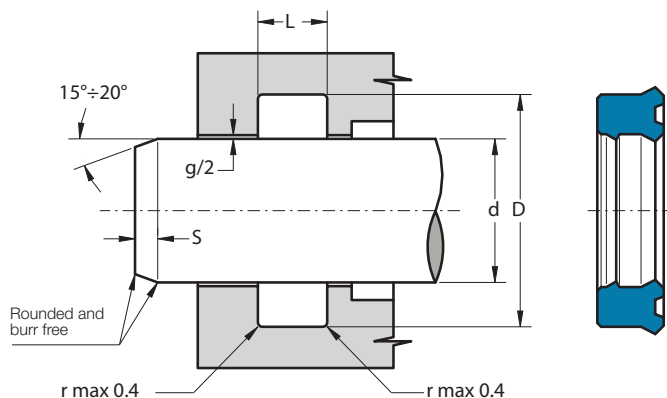
• 50 bar	1.20 mm
• 100 bar	0.80 mm
• 200 bar	0.40 mm
• 300 bar	0.25 mm
• 400 bar	0.17 mm

### LEAD-IN CHAMFERS

d	S MIN
• less 100	5 mm
• 100÷200	7 mm
• over 200	10 mm

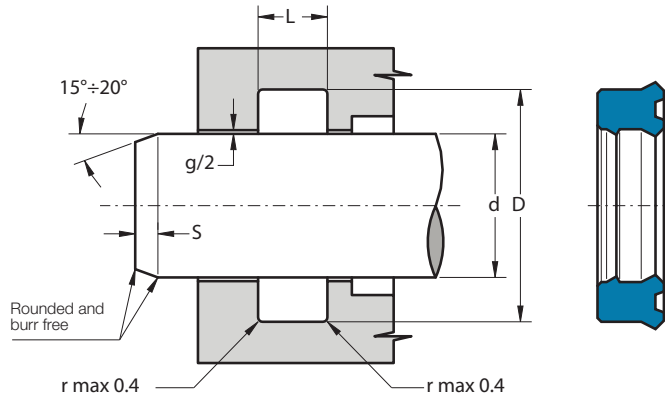
- to avoid damaging the sealing lips during installation, housing must have rounded chamfers. Sharp edges and burrs within the installation area of the seal must be removed

Part.	d <sup>f7</sup>	D <sup>H10</sup>	L <sup>+0.25</sup>
<b>SD 6 14 5.8</b>	6	14.0	6.3
<b>SD 8 15 5.8</b>	8	15.0	6.3
<b>SD 8 16 5.8</b>	8	16.0	6.3
<b>SD 10 16 4.9</b>	10	16.0	5.4
<b>SD 10 18 5.8</b>	10	18.0	6.3
<b>SD 12 19 5.6</b>	12	19.0	6.1
<b>SD 12 19 5.8</b>	12	19.0	6.3
<b>SD 12 20 5.8</b>	12	20.0	6.3



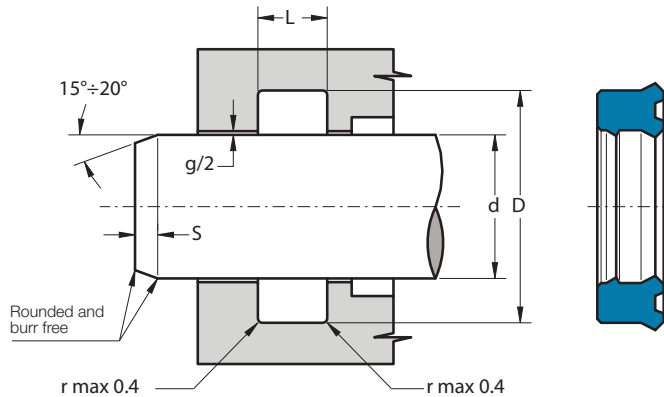
Part.	d <sup>f7</sup>	D <sup>H10</sup>	L <sup>+0.25</sup>
SD 12 23 6.5	12	23.0	7.5
SD 14 20 4.8	14	20.0	5.3
SD 14 22 5.8	14	22.0	6.3
SD 15 21.5 4.2	15	21.5	5.0
SD 15 23 5.8	15	23.0	6.3
SD 16 24 5.8	16	24.0	6.3
SD 18 24 4.7	18	24.0	5.2
SD 18 25 5	18	25.0	5.7
SD 18 26 5.8	18	26.0	6.3
SD 18 26 8	18	26.0	9.0
SD 18 28 5.8	18	28.0	6.3
SD 18 28 7	18	28.0	8.0
SD 20 26 5	20	26.0	5.5
SD 20 26 5.2	20	26.0	5.7
SD 20 27 5.8	20	27.0	6.3
SD 20 28 5.8	20	28.0	6.3
SD 20 28 7	20	28.0	8.0
SD 20 30 4.5	20	30.0	5.0
SD 20 30 7	20	30.0	8.0
SD 22 30 5.8	22	30.0	6.3
SD 22 30 6	22	30.0	7.0
SD 22 30 7	22	30.0	8.0
SD 22 32 7	22	32.0	8.0
SD 22 32 8	22	32.0	9.0
SD 24 34 5.8	24	34.0	6.5
SD 25 33 5.8	25	33.0	6.3
SD 25 33 6.5	25	33.0	7.5

Part.	d <sup>f7</sup>	D <sup>H10</sup>	L <sup>+0.25</sup>
SD 25 33 7	25	33.0	8.0
SD 25 33 8	25	33.0	9.0
SD 25 35 5,8	25	35.0	6.3
SD 25 35 7	25	35.0	8.0
SD 25 35 8	25	35.0	9.0
SD 25 36 5	25	36.0	6.0
SD 27 37 5.8	27	37.0	6.3
SD 28 36 5.8	28	36.0	6.3
SD 28 36 8	28	36.0	9.0
SD 28 38 7	28	38.0	8.0
SD 30 38 5.8	30	38.0	6.3
SD 30 38 7	30	38.0	8.0
SD 30 38 8	30	38.0	9.0
SD 30 40 6.5	30	40.0	7.5
SD 30 40 10	30	40.0	11.0
SD 30 40 7	30	40.0	8.0
SD 32 40 5.8	32	40.0	6.3
SD 32 40 6.7	32	40.0	7.7
SD 32 40 8	32	40.0	9.0
SD 32 42 7	32	42.0	8.0
SD 32 42 8	32	42.0	9.0
SD 32 42 10	32	42.0	11.0
SD 32 47 10	32	47.0	11.0
SD 35 43 5.8	35	43.0	6.3
SD 35 43 6.2	35	43.0	7.0
SD 35 43 8	35	43.0	9.0
SD 35 44 7	35	44.0	8.0
SD 35 45 5.8	35	45.0	6.3
SD 35 45 7	35	45.0	8.0
SD 35 45 10	35	45.0	11.0
SD 35 45 12.5	35	45.0	13.5
SD 35 50 10	35	50.0	11.0
SD 36 44 5.8	36	44.0	6.3
SD 36 44 6.3	36	44.0	7.0
SD 36 44 8	36	44.0	9.0
SD 36 46 7	36	46.0	8.0
SD 36 46 10	36	46.0	11.0
SD 37 47 8	37	47.0	9.0
SD 37 47 10	37	47.0	11.0
SD 38 45 6	38	45.0	7.0
SD 38 50 8.5	38	50.0	9.5



Part.	d <sup>f7</sup>	D <sup>H10</sup>	L <sup>+0.25</sup>
SD 40 48 5.8	40	48.0	6.3
SD 40 48 6	40	48.0	7.0
SD 40 48 8	40	48.0	9.0
SD 40 50 5.8	40	50.0	6.3
SD 40 50 7	40	50.0	8.0
SD 40 50 10	40	50.0	11.0
SD 40 55 10	40	55.0	11.0
SD 42 50 6	42	50.0	7.0
SD 42 52 8	42	52.0	9.0
SD 42 53 9	42	53.0	10.0
SD 45 53 5.2	45	53.0	5.7
SD 45 53 5.8	45	53.0	6.3
SD 45 53 8	45	53.0	9.0
SD 45 55 5.8	45	55.0	6.3
SD 45 55 7	45	55.0	8.0
SD 45 55 10	45	55.0	11.0
SD 45 57 9	45	57.0	10.0
SD 45 60 10	45	60.0	11.0
SD 45 60 11.5	45	60.0	12.5
SD 46 54 7.5	46	54.0	8.5
SD 48 60 6	48	60.0	7.0
SD 50 58 8	50	58.0	9.0
SD 50 60 7	50	60.0	8.0
SD 50 60 9	50	60.0	10.0
SD 50 60 10	50	60.0	11.0
SD 50 62 8	50	62.0	9.0
SD 50 62 10	50	62.0	11.0

Part.	d <sup>f7</sup>	D <sup>H10</sup>	L <sup>+0.25</sup>
SD 50 65 10	50	65.0	11.0
SD 50 65 11.5	50	65.0	12.5
SD 50 70 13.5	50	70.0	14.5
SD 55 63 8	55	63.0	9.0
SD 55 65 7	55	65.0	8.0
SD 55 65 10	55	65.0	11.0
SD 55 65 12	55	65.0	13.0
SD 55 70 9.5	55	70.0	10.5
SD 56 66 6.5	56	66.0	7.5
SD 56 66 10	56	66.0	11.0
SD 56 71 9.5	56	71.0	10.5
SD 56 71 11.5	56	71.0	12.5
SD 60 68 7	60	68.0	8.0
SD 60 68 8	60	68.0	9.0
SD 60 70 7	60	70.0	8.0
SD 60 70 10	60	70.0	11.0
SD 60 70 11.5	60	70.0	12.5
SD 60 70 12	60	70.0	13.0
SD 60 72 9	60	72.0	10.0
SD 60 75 10	60	75.0	11.0
SD 61 69 7.5	61	69.0	8.5
SD 63 71 8	63	71.0	9.0
SD 63 73 10	63	73.0	11.0
SD 63 75 8.5	63	75.0	9.5
SD 63 75 10	63	75.0	11.0
SD 63 78 11.5	63	78.0	12.5
SD 65 71 8	65	71.0	9.0
SD 65 73 8	65	73.0	9.0
SD 65 75 12	65	75.0	13.0
SD 65 77 8.5	65	77.0	9.5
SD 68 76 8	68	76.0	9.0
SD 70 78 8	70	78.0	9.0
SD 70 80 6.5	70	80.0	7.5
SD 70 80 7	70	80.0	8.0
SD 70 80 10	70	80.0	11.0
SD 70 80 12	70	80.0	13.0
SD 70 82 9	70	82.0	10.0
SD 70 85 11	70	85.0	12.0
SD 75 83 8	75	83.0	9.0
SD 75 85 7	75	85.0	8.0
SD 75 90 10.5	75	90.0	11.5



Part.	d <sup>f7</sup>	D <sup>H10</sup>	L <sup>+0.25</sup>
SD 76 84 7.5	76	84.0	8.5
SD 78 90 12	78	90.0	13.0
SD 80 88 8	80	88.0	9.0
SD 80 88 11.5	80	88.0	12.5
SD 80 89 10	80	89.0	11.0
SD 80 90 7	80	90.0	8.0
SD 80 90 12	80	90.0	13.0
SD 80 92 9	80	92.0	9.6
SD 80 95 11	80	95.0	12.0
SD 80 96 9.5	80	96.0	10.5
SD 82 94 8	82	94.0	9.0
SD 85 93 6.5	85	93.0	7.5
SD 85 93 8	85	93.0	9.0
SD 85 95 7	85	95.0	8.0
SD 85 95 12	85	95.0	13.0
SD 85 97 8.5	85	97.0	9.5
SD 85 100 11.5	85	100.0	12.5
SD 88 96 7.5	88	96.0	8.5
SD 88.9 101.6 9.5	88.9	101.6	10.5
SD 90 100 10	90	100.0	11.0
SD 90 102 9	90	102.0	10.0
SD 90 105 11.5	90	105.0	12.5
SD 91 99 7.5	91	99.0	8.5
SD 95 103 8	95	103.0	9.0
SD 95 104 10	95	104.0	11.0
SD 95 112 11	95	112.0	12.0
SD 97 107 10	97	107.0	11.0

Part.	d <sup>f7</sup>	D <sup>H10</sup>	L <sup>+0.25</sup>
SD 100 108 7	100	108.0	8.0
SD 100 108 8	100	108.0	9.0
SD 100 108 11.5	100	108.0	12.5
SD 100 115 11.5	100	115.0	12.5
SD 104 116 8	104	116.0	9.0
SD 105 113 8	105	113.0	9.0
SD 107 115 7.5	107	115.0	8.5
SD 110 119 10	110	119.0	11.0
SD 110 125 11	110	125.0	12.0
SD 112 122 10.5	112	122.0	11.5
SD 118 128 10	118	128.0	11.0
SD 120 128 11.5	120	128.0	12.5
SD 120 130 7	120	130.0	8.0
SD 120 130 14	120	130.0	15.0
SD 120 140 12	120	140.0	13.0
SD 125 133 6.5	125	133.0	7.5
SD 126 134 7.5	126	134.0	8.5
SD 129 141 8	129	141.0	9.0
SD 130 150 12	130	150.0	13.0
SD 135 145 12	135	145.0	13.0
SD 140 148 11.5	140	148.0	12.5
SD 140 150 10	140	150.0	11.0
SD 140 155 8	140	155.0	9.0
SD 140 160 11.5	140	160.0	12.5
SD 145 153 7.5	145	153.0	8.5
SD 150 160 12.5	150	160.0	13.5
SD 150 170 12	150	170.0	13.0
SD 154 166 10	154	166.0	11.0
SD 160 170 12	160	170.0	13.0
SD 175 185 12	175	185.0	13.0
SD 180 190 12.5	180	190.0	13.5
SD 180 192 10	180	192.0	11.0
SD 180 200 12	180	200.0	13.0
SD 190 210 12	190	210.0	13.0
SD 210 230 15	210	230.0	16.0

### Inch sizes

SD 4000 4500 0375	101.6	114.3	10.5
SD 4500 5000 0375	114.3	127.0	10.5