

DESCRIPTION

Bi-directional rod wiper with hook for pneumatic cylinders

MATERIAL

Type: Polyurethane
 Designation: SEALPUR 93
 Hardness: 93 °ShA

MAIN FEATURES

RCA is a product with integrated fixing capability that performs both functions of rod seal and wiper. Its functions are:

- to prevent introduction of dust, dirt and foreign matter into the system; this is achieved by a special wiper lip which produces a very effective cleaning action, prevents the development of scores, protects the guiding parts and extends the service life of the axial moving rod seals.
 - to prevent the release of air from the cylinder ensuring a perfect seal; the asymmetric lips are designed to differentiate the behavior of the lips on the static and dynamic surfaces: the dynamic lip is rounded, flexible and more sensitive to pressure fluctuations; the static lip is longer and stronger to concentrate load against the static surface.
- The material used to produce this seal is a polyurethane compound, specifically developed for the production of pneumatic seals, that ensures excellent properties on wear-resistance, extended service life and low permanent deformation.

- fast installation either automatically or manually

- The groove is fully open and allows easy replacement of the scraper
- Geometry of the sealing lips is designed to operate with air lubricated and dry
- Low friction at all usage pressure
- Excellent wear-resistance
- Extended service life

FIELD OF APPLICATION

| | |
|-------------|---|
| Pressure | ≤ 16 bar |
| Speed | ≤ 1 m/s |
| Temperature | -35°C ÷ +80°C |
| Fluids | Air with or without lubrication, grease, mineral oils, non-aggressive gases, etc. |

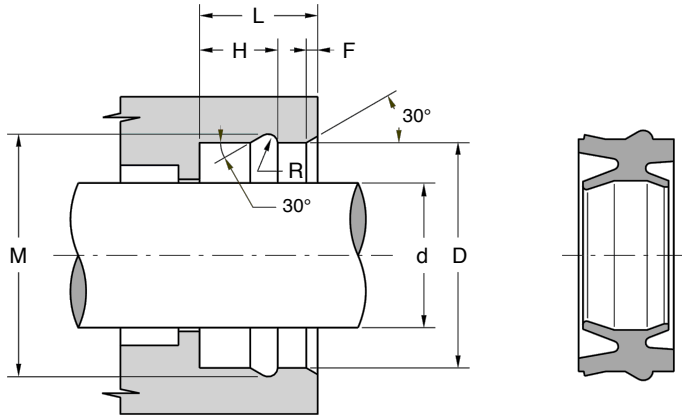
SURFACE ROUGHNESS

| | | |
|-----------------|--------------|-------------|
| Dynamic surface | Ra ≤ 0.25 μm | Rt ≤ 2.5 μm |
| Static surface | Ra ≤ 0.8 μm | Rt ≤ 6.3 μm |

LEAD-IN CHAMFERS

| d | S _{MIN} |
|------------|------------------|
| • less 20 | 3 x 20° |
| • 20÷50 | 4 x 20° |
| • 51÷150 | 5 x 20° |
| • over 150 | 6 x 20° |

- to avoid damaging the sealing lips during installation, housing must have rounded chamfers. Sharp edges and burrs within the installation area of the seal must be removed



| Part. | d f7 | D H10 | M ±0.1 | L +0.5 | H +0.25 | F | R |
|----------------|------|-------|--------|--------|---------|-----|-----|
| RCA 12 22 10.7 | 12 | 22 | 24 | 13 | 8.8 | 1.5 | 1.1 |
| RCA 16 26 10.7 | 16 | 26 | 28 | 13 | 8.8 | 1.5 | 1.1 |
| RCA 18 28 10.7 | 18 | 28 | 30 | 13 | 8.8 | 1.5 | 1.1 |
| RCA 20 30 10.7 | 20 | 30 | 32 | 13 | 8.8 | 1.5 | 1.1 |
| RCA 25 35 11.2 | 25 | 35 | 37.5 | 14 | 9.4 | 2 | 1.4 |
| RCA 30 40 11.2 | 30 | 40 | 42.5 | 14 | 9.4 | 2 | 1.4 |
| RCA 40 50 11.2 | 40 | 50 | 52.5 | 14 | 9.4 | 2 | 1.4 |
| RCA 45 55 12.2 | 45 | 55 | 58.2 | 15 | 10.4 | 2 | 1.8 |