

DESCRIPTION

Endless ring with a circular cross section

MATERIAL

Type: Nitril Rubber NBR
 Designation: RUBSEAL 70
 Hardness: 70 °ShA

CODING

Usually the O-Ring is defined by a regulation (such as AS 568A or BS 1806) or by:

- inside diameter
- diameter of cross section

MAIN FEATURES

The O-Rings have been developed to be used as static (preferable) or as dynamic seals in a rectangular groove.

They are energized by pressure and can work as a single or double acting sealing element. The radial sealing forces, which guarantee good sealing performance, increase when the pressure rises.

Thanks to its elasticity, it can be installed very easily in a short time and without any auxiliaries.

The material used is a low permanent deformation nitril rubber with 70 °ShA of hardness, mainly used in the manufacturing of hydraulic seals.

- Low cost solution
- Universal applicability
- Single and double acting
- Simple groove design
- No close tolerances are necessary
- Symmetrical cross section
- Easy installation without expensive auxiliaries

FIELD OF APPLICATION

Pressure	See table below
Speed	Depending of working condition. It is preferable as static seal
Temperature	-30°C ÷ +130°C
Fluids	Hydraulic oils (mineral oil based). For other fluids contact our technical department

MAXIMUM PRESSURE

In order to avoid extrusion, the maximum pressure allowed depends on the fitting gap:

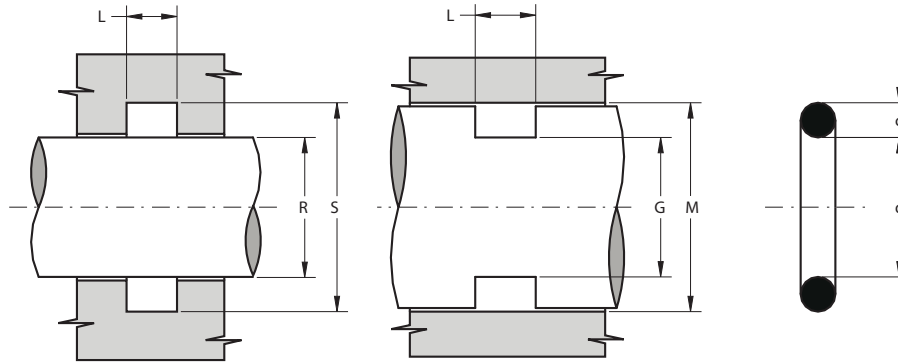
• 0,05 mm	190 bar
• 0,10 mm	130 bar
• 0,15 mm	110 bar
• 0,20 mm	100 bar
• 0,25 mm	90 bar
• 0,30 mm	80 bar
• 0,35 mm	75 bar

NB: for the Gap calculation, it is necessary to consider the elastic deformation of metal elements under pressure loads.

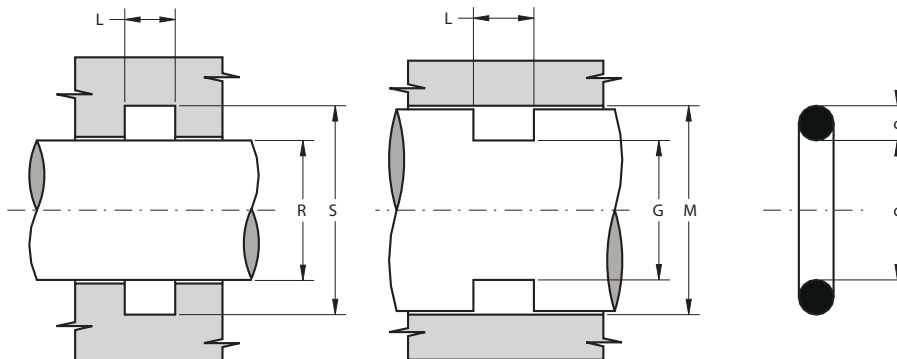
SURFACE ROUGHNESS

Static surface	Ra ≤ 0.8 μm	Rt ≤ 4.8 μm
Dynamic surface	Ra ≤ 0.3 μm	Rt ≤ 2.5 μm

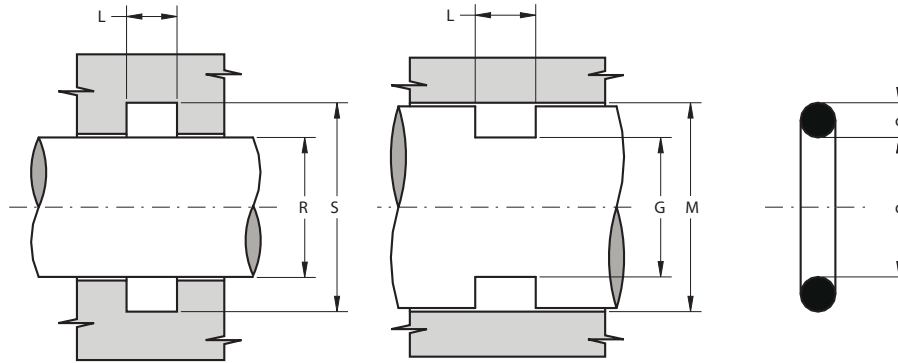
- to avoid damaging the OR during installation, housing must have rounded chamfers. Sharp edges and burrs within the installation area of the seal must be removed



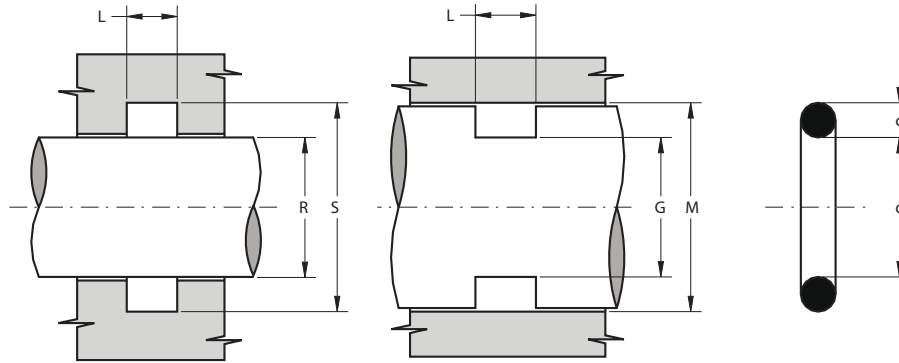
Cod. AS *	Cod. GB	d	c		L ^{+0.2}	R ^{f7}	S ^{H9}	G ^{h9}	M ^{H8}
OR 004	2007	1.78	1.78		2.5	2	5.1	1.9	5
OR 005	2010	2.57	1.78		2.5	2.5	5.6	2.9	6
OR 006	2012	2.90	1.78		2.5	3	6.1	2.9	6
OR 007	2015	3.68	1.78		2.5	4	7.1	3.9	7
OR 008	2018	4.47	1.78		2.5	4.5	7.6	4.9	8
OR 009	2021	5.28	1.78		2.5	5	8.1	5.9	9
OR 010	2025	6.07	1.78		2.5	6	9.1	6.9	10
OR 610	106	6.75	1.78		2.5	7	10.1	6.9	10
OR 011	2031	7.65	1.78		2.5	8	11.1	7.9	11
OR 611	108	8.73	1.78		2.5	9	12.1	8.9	12
OR 012	2037	9.25	1.78		2.5	9	12.1	9.9	13
OR 013	2043	10.82	1.78		2.5	11	14.1	10.9	14
OR 806	114	11.11	1.78		2.5	11	14.1	11.9	15
OR 014	2050	12.42	1.78		2.5	13	16.1	12.9	16
OR 015	2056	14.00	1.78		2.5	14	17.1	14.9	18
OR 016	2062	15.60	1.78		2.5	16	19.1	15.9	19
OR 017	2068	17.17	1.78		2.5	17	20.1	17.9	21
OR 018	2075	18.77	1.78		2.5	19	22.1	18.9	22
OR 019	2081	20.35	1.78		2.5	21	24.1	20.9	24
OR 020	2087	21.95	1.78		2.5	22	25.1	22.9	26
OR 021	2093	23.52	1.78		2.5	24	27.1	23.9	27
OR 022	2100	25.12	1.78		2.5	25	28.1	25.9	29
OR 023	2106	26.70	1.78		2.5	27	30.1	26.9	30
OR 024	2112	28.30	1.78		2.5	28	31.1	28.9	32
OR 025	2118	29.87	1.78		2.5	30	33.1	29.9	33
OR 026	2125	31.47	1.78		2.5	32	35.1	31.9	35
OR 027	2131	33.05	1.78		2.5	33	36.1	33.9	37



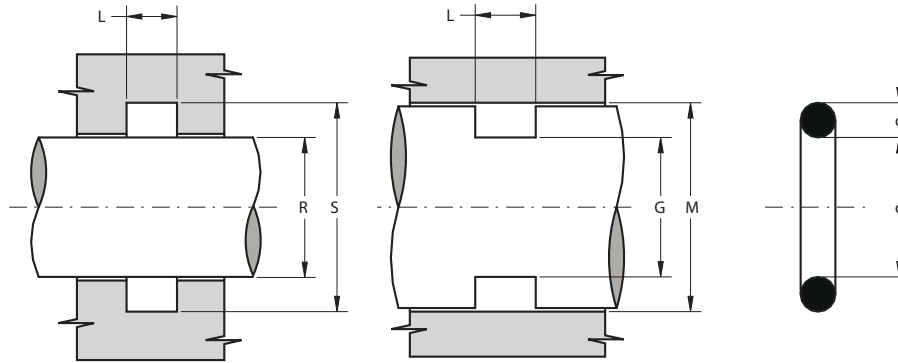
Cod. AS *	Cod. GB	d	c		L ^{+0.2}	R ^{f7}	S ^{H9}	G ^{h9}	M ^{H8}
OR 028	2137	34.65	1.78		2.5	35	38.1	34.9	38
OR 029	2150	37.82	1.78		2.5	38	41.1	37.9	41
OR 030	2162	41.00	1.78		2.5	41	44.1	41.9	45
OR 031	2175	44.17	1.78		2.5	44	47.1	44.9	48
OR 032	2187	47.35	1.78		2.5	48	51.1	47.9	51
OR 033	2200	50.52	1.78		2.5	50	53.1	50.9	54
OR 034	2212	53.70	1.78		2.5	54	57.1	54.9	58
OR 035	2225	56.87	1.78		2.5	57	60.1	57.9	61
OR 036	2237	60.05	1.78		2.5	60	63.1	60.9	64
OR 037	2250	63.22	1.78		2.5	63	66.1	63.9	67
OR 038	2262	66.40	1.78		2.5	66	69.1	66.9	70
OR 039	2275	69.57	1.78		2.5	70	73.1	70.9	74
OR 040	2287	72.75	1.78		2.5	73	76.1	73.9	77
OR 041	2300	75.92	1.78		2.5	76	79.1	76.9	80
OR 042	2325	82.27	1.78		2.5	82	85.1	82.9	86
OR 043	2350	88.62	1.78		2.5	89	92.1	88.9	92
OR 044	2375	94.97	1.78		2.5	95	98.1	95.9	99
OR 045	2400	101.32	1.78		2.5	101	104.1	101.9	105
OR 046	2425	107.67	1.78		2.5	108	111.1	108.9	112
OR 047	2450	114.02	1.78		2.5	114	117.1	114.9	118
OR 048	2475	120.37	1.78		2.5	120	123.1	120.9	124
OR 049	2500	126.72	1.78		2.5	125	128.1	125.9	129
OR 050	2525	133.07	1.78		2.5	133	136.1	133.9	137
OR 107	-	5.23	2.62		3.5	5.5	10	6	10.5
OR 108	-	6.02	2.62		3.5	6	10.5	6.5	11
OR 109	-	7.60	2.62		3.5	8	12.5	8.5	13



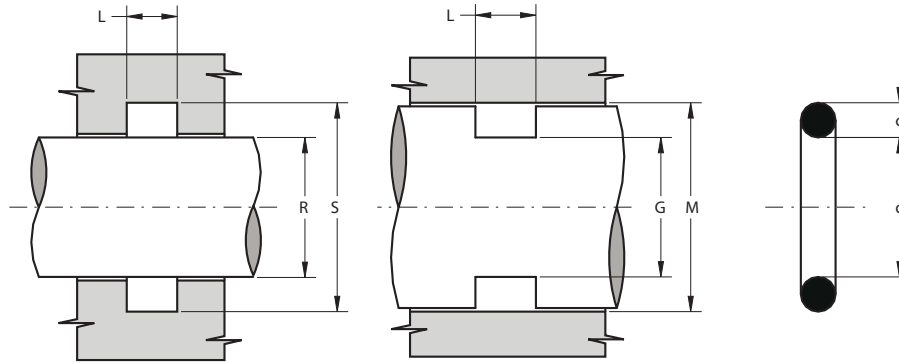
Cod. AS *	Cod. GB	d	c		L ^{+0.2}	R ^{f7}	S ^{H9}	G ^{H9}	M ^{H8}
OR 110	3037	9.19	2.62		3.5	9	13.5	10.5	15
OR 613	112	9.92	2.62		3.5	10	14.5	10.5	15
OR 111	3043	10.77	2.62		3.5	11	15.5	11.5	16
OR 614	115	11.91	2.62		3.5	12	16.5	12.5	17
OR 112	3050	12.37	2.62		3.5	12.5	17	13.5	18
OR 615	117	13.10	2.62		3.5	13	17.5	13.5	18
OR 113	3056	13.94	2.62		3.5	14	18.5	14.5	19
OR 616	119	15.08	2.62		3.5	15	19.5	15.5	20
OR 114	3062	15.54	2.62		3.5	15.5	20	16.5	21
OR 809	121	15.88	2.62		3.5	16	20.5	16.5	21
OR 115	3068	17.12	2.62		3.5	17	21.5	17.5	22
OR 617	123	17.86	2.62		3.5	18	22.5	18.5	23
OR 116	3075	18.72	2.62		3.5	19	23.5	19.5	24
OR 117	3081	20.29	2.62		3.5	20	24.5	20.5	25
OR 812	128	20.63	2.62		3.5	21	25.5	21.5	26
OR 118	3087	21.89	2.62		3.5	22	26.5	22.5	27
OR 813	130	22.22	2.62		3.5	22	26.5	22.5	27
OR 119	3093	23.47	2.62		3.5	24	28.5	24.5	29
OR 814	132	23.81	2.62		3.5	24	28.5	24.5	29
OR 120	3100	25.07	2.62		3.5	25	29.5	25.5	30
OR 121	3106	26.64	2.62		3.5	28	32.5	27.5	32
OR 122	3112	28.24	2.62		3.5	28	32.5	28.5	33
OR 123	3118	29.82	2.62		3.5	30	34.5	30.5	35
OR 124	3125	31.42	2.62		3.5	32	36.5	32.5	37
OR 125	3131	32.99	2.62		3.5	33	37.5	33.5	38
OR 126	3137	34.60	2.62		3.5	35	39.5	35.5	40
OR 127	3143	36.14	2.62		3.5	36	40.5	36.5	41



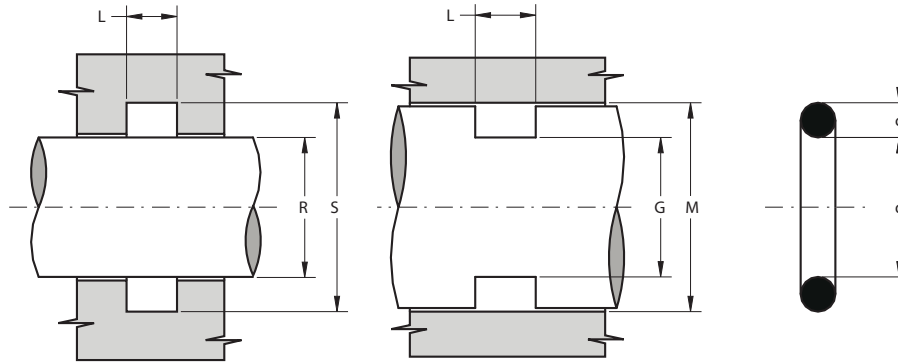
Cod. AS *	Cod. GB	d	c		L ^{+0.2}	R ^{f7}	S ^{H9}	G ^{h9}	M ^{H8}
OR 128	3150	37.77	2.62		3.5	38	42.5	38.5	43
OR 129	3156	39.34	2.62		3.5	40	44.5	40.5	45
OR 130	3162	40.95	2.62		3.5	41	45.5	41.5	46
OR 131	3168	42.52	2.62		3.5	43	47.5	43.5	48
OR 132	3175	44.12	2.62		3.5	44	48.5	44.5	49
OR 133	3181	45.69	2.62		3.5	46	50.5	46.5	51
OR 134	3187	47.30	2.62		3.5	48	52.5	48.5	53
OR 135	3193	48.90	2.62		3.5	49	53.5	49.5	54
OR 136	3200	50.47	2.62		3.5	51	55.5	51.5	56
OR 137	3206	52.07	2.62		3.5	52	56.5	52.5	57
OR 138	3212	53.65	2.62		3.5	54	58.5	54.5	59
OR 139	3218	55.25	2.62		3.5	55	59.5	56.5	61
OR 140	3225	56.82	2.62		3.5	57	61.5	57.5	62
OR 141	3231	58.42	2.62		3.5	59	63.5	59.5	64
OR 142	3237	60.00	2.62		3.5	60	64.5	60.5	65
OR 143	3243	61.60	2.62		3.5	62	66.5	62.5	67
OR 144	3250	63.17	2.62		3.5	63	67.5	63.5	68
OR 145	3256	64.77	2.62		3.5	65	69.5	65.5	70
OR 146	3262	66.35	2.62		3.5	67	71.5	67.5	72
OR 147	3268	67.95	2.62		3.5	68	72.5	68.5	73
OR 148	3275	69.52	2.62		3.5	70	74.5	70.5	75
OR 149	3281	71.12	2.62		3.5	71	75.5	71.5	76
OR 150	3287	72.69	2.62		3.5	73	77.5	73.5	78
OR 151	3300	75.87	2.62		3.5	76	80.5	77.5	82
OR 152	3325	82.22	2.62		3.5	82	86.5	83.5	88
OR 153	3350	88.57	2.62		3.5	89	93.5	89.5	94
OR 154	3375	94.92	2.62		3.5	95	99.5	96.5	101



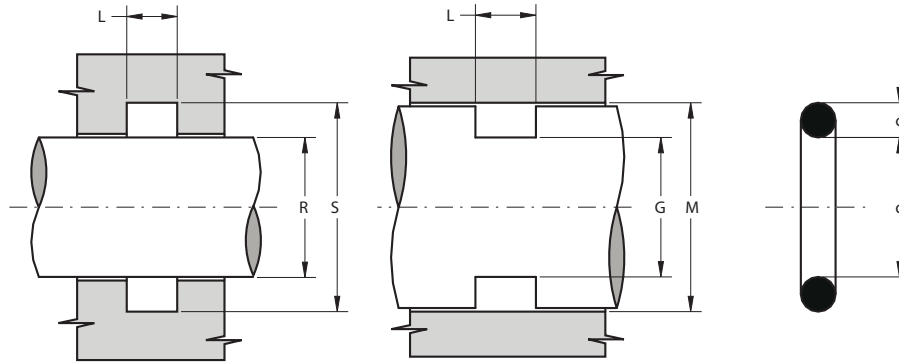
Cod. AS *	Cod. GB	d	c		L ^{+0.2}	R ^{f7}	S ^{H9}	G ^{H9}	M ^{H8}
OR 155	3400	101.27	2.62		3.5	101	105.5	102.5	107
OR 156	3425	107.62	2.62		3.5	108	112.5	108.5	113
OR 157	3450	113.97	2.62		3.5	114	118.5	115.5	120
OR 158	3475	120.33	2.62		3.5	120	124.5	121.5	126
OR 159	3500	126.67	2.62		3.5	127	131.5	127.5	132
OR 160	3525	133.00	2.62		3.5	133	137.5	133.5	138
OR 161	3550	139.38	2.62		3.5	139	143.5	140.5	145
OR 162	3575	145.72	2.62		3.5	146	150.5	146.5	151
OR 163	3600	152.07	2.62		3.5	152	156.5	153.5	158
OR 164	3625	158.43	2.62		3.5	158	162.5	159.5	164
OR 165	3650	164.78	2.62		3.5	165	169.5	165.5	170
OR 166	3675	171.13	2.62		3.5	171	175.5	172.5	177
OR 167	3700	177.48	2.62		3.5	178	182.5	178.5	183
OR 168	3725	183.83	2.62		3.5	184	188.5	185.5	190
OR 169	3750	190.18	2.62		3.5	190	194.5	191.5	196
OR 170	3775	196.53	2.62		3.5	197	201.5	197.5	202
OR 171	3800	202.88	2.62		3.5	203	207.5	204.5	209
OR 172	3825	209.23	2.62		3.5	210	214.5	210.5	215
OR 173	3850	215.58	2.62		3.5	215	219.5	215.5	220
OR 174	3875	221.93	2.62		3.5	222	226.5	223.5	228
OR 175	3900	228.28	2.62		3.5	228	232.5	229.5	234
OR 204	4036	9.12	3.53		4.5	10	16.2	10.8	17
OR 205	4042	10.69	3.53		4.5	11	17.2	11.8	18
OR 206	4050	12.29	3.53		4.5	13	19.2	13.8	20
OR 207	4055	13.87	3.53		4.5	14	20.2	14.8	21
OR 208	4061	15.47	3.53		4.5	16	22.2	16.8	23



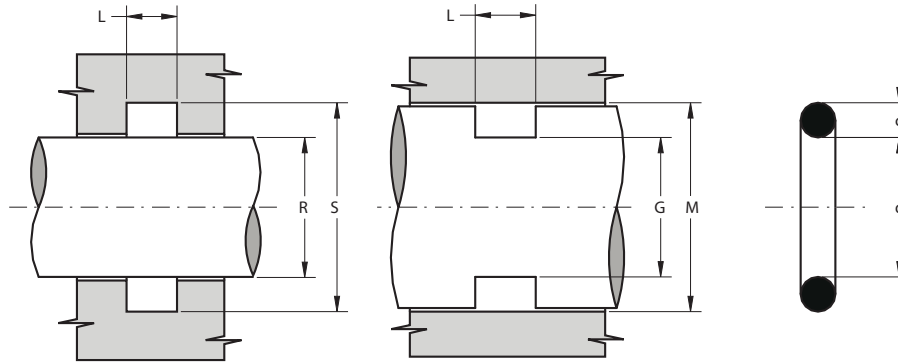
Cod. AS *	Cod. GB	d	c		L ^{+0.2}	R ^{f7}	S ^{H9}	G ^{h9}	M ^{H8}
OR 209	4067	17.04	3.53		4.5	17	23.2	18.8	25
OR 210	4075	18.64	3.53		4.5	19	25.2	19.8	26
OR 211	4081	20.22	3.53		4.5	20	26.2	21.8	28
OR 212	4087	21.82	3.53		4.5	22	28.2	22.8	29
OR 213	4093	23.40	3.53		4.5	23	29.2	23.8	30
OR 214	4100	24.99	3.53		4.5	25	31.2	25.8	32
OR 618	134	25.80	3.53		4.5	26	32.2	26.8	33
OR 215	4106	26.58	3.53		4.5	27	33.2	27.8	34
OR 216	4112	28.17	3.53		4.5	28	34.2	28.8	35
OR 217	4118	29.75	3.53		4.5	30	36.2	30.8	37
OR 218	4125	31.34	3.53		4.5	31	37.2	31.8	38
OR 219	4131	32.92	3.53		4.5	33	39.2	33.8	40
OR 220	4137	34.52	3.53		4.5	35	41.2	35.8	42
OR 221	4143	36.09	3.53		4.5	36	42.2	36.8	43
OR 222	4150	37.69	3.53		4.5	38	44.2	38.8	45
OR 824	144	39.69	3.53		4.5	40	46.2	39.8	46
OR 223	4162	40.87	3.53		4.5	42	48.2	41.8	48
OR 825	146	41.28	3.53		4.5	42	48.2	41.8	48
OR 826	147	42.86	3.53		4.5	43	49.2	43.8	50
OR 224	4175	44.04	3.53		4.5	45	51.2	44.8	51
OR 827	149	44.45	3.53		4.5	45	51.2	44.8	51
OR 828	150	46.04	3.53		4.5	46	52.2	46.8	53
OR 225	4187	47.22	3.53		4.5	48	54.2	47.8	54
OR 829	152	47.63	3.53		4.5	48	54.2	47.8	54
OR 830	153	49.21	3.53		4.5	49	55.2	49.8	56
OR 226	4200	50.39	3.53		4.5	51	57.2	51.8	58
OR 831	155	50.80	3.53		4.5	51	57.2	51.8	58



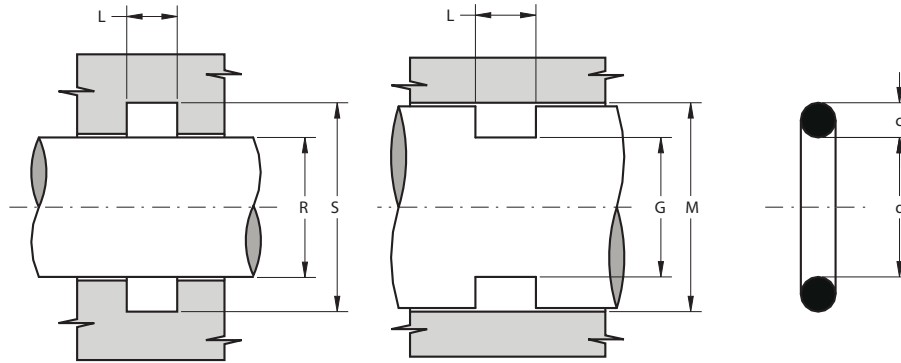
Cod. AS *	Cod. GB	d	c		L ^{+0.2}	R ^{f7}	S ^{H9}	G ^{h9}	M ^{H8}
OR 832	156	52.39	3.53		4.5	52	58.2	53.8	60
OR 227	4212	53.57	3.53		4.5	54	60.2	54.8	61
OR 833	158	53.98	3.53		4.5	54	60.2	54.8	61
OR 834	159	55.56	3.53		4.5	56	62.2	55.8	62
OR 228	4225	56.74	3.53		4.5	57	63.2	57.8	64
OR 835	161	57.15	3.53		4.5	57	63.2	57.8	64
OR 836	162	58.74	3.53		4.5	59	65.2	58.8	65
OR 229	4237	59.92	3.53		4.5	60	66.2	60.8	67
OR 837	164	60.33	3.53		4.5	60	66.2	60.8	67
OR 838	165	61.91	3.53		4.5	62	68.2	62.8	69
OR 230	4250	63.09	3.53		4.5	64	70.2	63.8	70
OR 839	167	63.50	3.53		4.5	64	70.2	63.8	70
OR 840	168	65.09	3.53		4.5	65	71.2	65.8	72
OR 231	4262	66.27	3.53		4.5	67	73.2	66.8	73
OR 841	170	66.68	3.53		4.5	67	73.2	66.8	73
OR 842	171	68.26	3.53		4.5	68	74.2	68.8	75
OR 232	4275	69.44	3.53		4.5	70	76.2	70.8	77
OR 843	173	69.85	3.53		4.5	70	76.2	70.8	77
OR 844	174	71.44	3.53		4.5	72	78.2	71.8	78
OR 233	4287	72.62	3.53		4.5	73	79.2	73.8	80
OR 845	176	73.03	3.53		4.5	73	79.2	73.8	80
OR 846	177	74.61	3.53		4.5	75	81.2	74.8	81
OR 234	4300	75.79	3.53		4.5	76	82.2	76.8	83
OR 235	4312	78.97	3.53		4.5	79	85.2	79.8	86
OR 236	4325	82.14	3.53		4.5	82	88.2	82.8	89
OR 237	4337	85.32	3.53		4.5	85	91.2	85.8	92
OR 238	4350	88.49	3.53		4.5	89	95.2	88.8	95



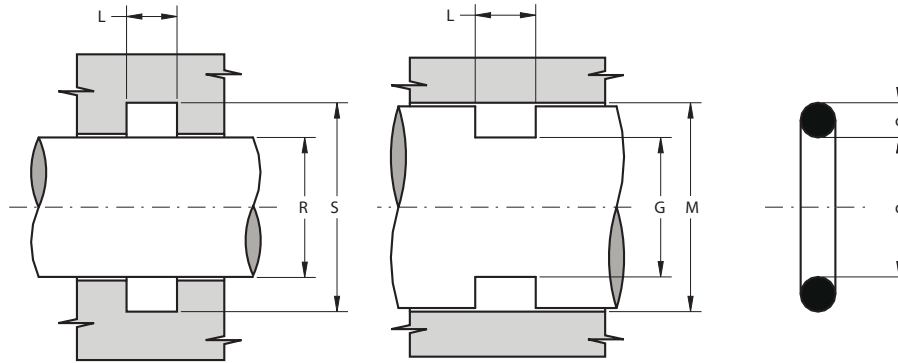
Cod. AS *	Cod. GB	d	c		L ^{+0.2}	R ^{f7}	S ^{H9}	G ^{h9}	M ^{H8}
OR 239	4362	91.67	3.53		4.5	92	98.2	92.8	99
OR 240	4375	94.84	3.53		4.5	95	101.2	95.8	102
OR 241	4387	98.02	3.53		4.5	98	104.2	98.8	105
OR 242	4400	101.19	3.53		4.5	101	107.2	101.8	108
OR 243	4412	104.37	3.53		4.5	105	111.2	104.8	111
OR 244	4425	107.54	3.53		4.5	108	114.2	107.8	114
OR 245	4437	110.72	3.53		4.5	111	117.2	111.8	118
OR 246	4450	113.89	3.53		4.5	114	120.2	114.8	121
OR 247	4462	117.07	3.53		4.5	117	123.2	117.8	124
OR 248	4475	120.24	3.53		4.5	120	126.2	120.8	127
OR 249	4487	123.42	3.53		4.5	123	129.2	123.8	130
OR 250	4500	126.59	3.53		4.5	127	133.2	126.8	133
OR 251	4512	129.77	3.53		4.5	130	136.2	129.8	136
OR 252	4525	132.94	3.53		4.5	133	139.2	133.8	140
OR 253	4537	136.12	3.53		4.5	136	142.2	136.8	143
OR 254	4550	139.29	3.53		4.5	140	146.2	139.8	146
OR 255	4562	142.47	3.53		4.5	143	149.2	142.8	149
OR 256	4575	145.64	3.53		4.5	146	152.2	145.8	152
OR 257	4587	148.82	3.53		4.5	149	155.2	148.8	155
OR 258	4600	151.99	3.53		4.5	152	158.2	152.8	159
OR 259	4625	158.34	3.53		4.5	159	165.2	158.8	165
OR 260	4650	164.69	3.53		4.5	165	171.2	165.8	172
OR 261	4675	171.04	3.53		4.5	172	178.2	171.8	178
OR 262	4700	177.39	3.53		4.5	178	184.2	177.8	184
OR 263	4725	183.74	3.53		4.5	184	190.2	183.8	190
OR 264	4750	190.09	3.53		4.5	190	196.2	190.8	197
OR 265	4775	196.44	3.53		4.5	197	203.2	196.8	203



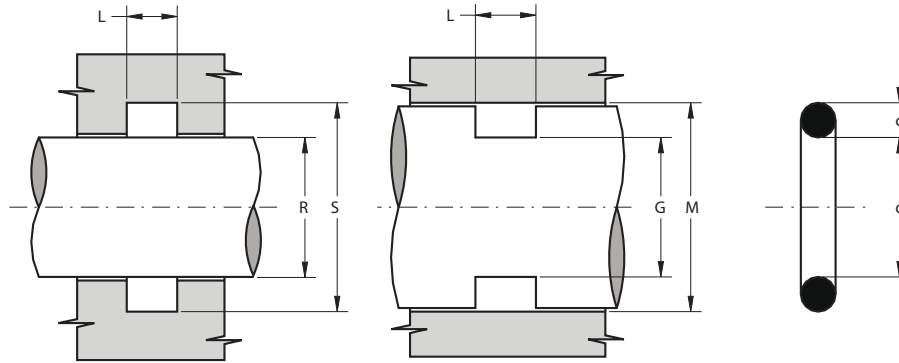
Cod. AS *	Cod. GB	d	c		L ^{+0.2}	R ^{f7}	S ^{H9}	G ^{H9}	M ^{H8}
OR 266	4800	202.79	3.53		4.5	203	209.2	203.8	210
OR 267	4825	209.14	3.53		4.5	210	216.2	209.8	216
OR 268	4850	215.49	3.53		4.5	216	222.2	215.8	222
OR 269	4875	221.84	3.53		4.5	222	228.2	221.8	228
OR 270	4900	228.19	3.53		4.5	229	235.2	228.8	235
OR 271	4925	234.54	3.53		4.5	235	241.2	234.8	241
OR 272	4950	240.89	3.53		4.5	241	247.2	241.8	248
OR 273	4975	247.24	3.53		4.5	248	254.2	247.8	254
OR 274	41000	253.59	3.53		4.5	254	260.2	253.8	260
OR 275	41050	266.29	3.53		4.5	267	273.2	267.8	274
OR 276	41100	278.99	3.53		4.5	280	286.2	280.8	287
OR 277	41150	291.69	3.53		4.5	292	298.2	293.8	300
OR 278	41200	304.39	3.53		4.5	305	311.2	305.8	312
OR 279	41300	329.79	3.53		4.5	330	336.2	331.8	338
OR 280	41400	355.19	3.53		4.5	355	361.2	356.8	363
OR 281	41500	380.59	3.53		4.5	381	387.2	382.8	389
OR 282	41600	405.26	3.53		4.5	406	412.2	406.8	413
OR 283	41700	430.66	3.53		4.5	431	437.2	431.8	438
OR 309	-	10.47	5.34		7	11	20.4	12.6	22
OR 310	-	12.07	5.34		7	12	21.4	13.6	23
OR 311	-	13.64	5.34		7	14	23.4	15.6	25
OR 312	-	15.24	5.34		7	16	25.4	16.6	26
OR 313	-	16.82	5.34		7	17	26.4	18.6	28
OR 314	-	18.42	5.34		7	19	28.4	20.6	30
OR 315	-	19.99	5.34		7	20	29.4	21.6	31
OR 316	-	21.99	5.34		7	22	31.4	23.6	33



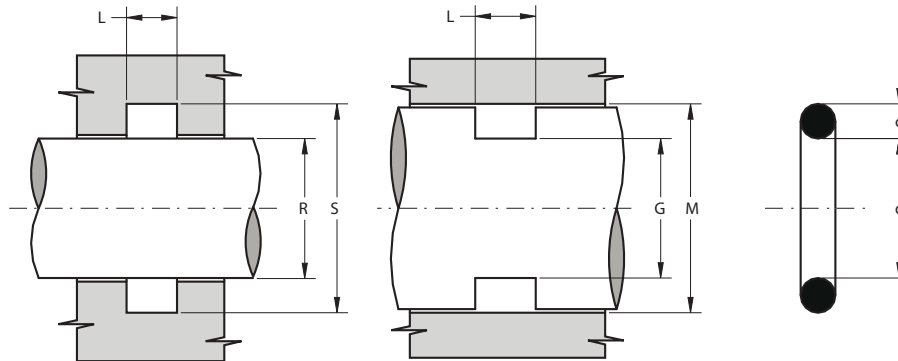
Cod. AS *	Cod. GB	d	c		L ^{+0.2}	R ^{f7}	S ^{H9}	G ^{h9}	M ^{H8}
OR 317	-	23.17	5.34		7	24	33.4	24.6	34
OR 318	-	24.77	5.34		7	26	35.4	26.6	36
OR 319	-	26.34	5.34		7	27	36.4	27.6	37
OR 320	-	27.97	5.34		7	28	37.4	29.6	39
OR 321	-	29.52	5.34		7	30	39.4	31.6	41
OR 322	-	31.12	5.34		7	31	40.4	32.6	42
OR 323	-	32.69	5.34		7	33	42.4	34.6	44
OR 324	-	34.29	5.34		7	35	44.4	35.6	45
OR 325	6150	37.47	5.34		7	38	47.4	38.6	48
OR 326	6162	40.65	5.34		7	41	50.4	42.6	52
OR 327	6175	43.82	5.34		7	44	53.4	45.6	55
OR 328	6187	47.00	5.34		7	47	56.4	48.6	58
OR 329	6200	50.16	5.34		7	50	59.4	51.6	61
OR 330	6212	53.34	5.34		7	53	62.4	54.6	64
OR 331	6225	56.52	5.34		7	57	66.4	58.6	68
OR 332	6237	59.69	5.34		7	60	69.4	60.6	70
OR 333	6250	62.87	5.34		7	63	72.4	63.6	73
OR 334	6262	66.04	5.34		7	66	75.4	67.6	77
OR 335	6275	69.22	5.34		7	69	78.4	70.6	80
OR 336	6287	72.39	5.34		7	73	82.4	73.6	83
OR 619	178	74.63	5.34		7	75	84.4	75.6	85
OR 337	6300	75.57	5.34		7	76	85.4	76.6	86
OR 338	6312	78.74	5.34		7	79	88.4	80.6	90
OR 620	181	79.77	5.34		7	80	89.4	80.6	90
OR 339	6325	81.92	5.34		7	82	91.4	82.6	92
OR 340	6337	85.09	5.34		7	85	94.4	85.6	95
OR 341	6350	88.27	5.34		7	88	97.4	88.6	98



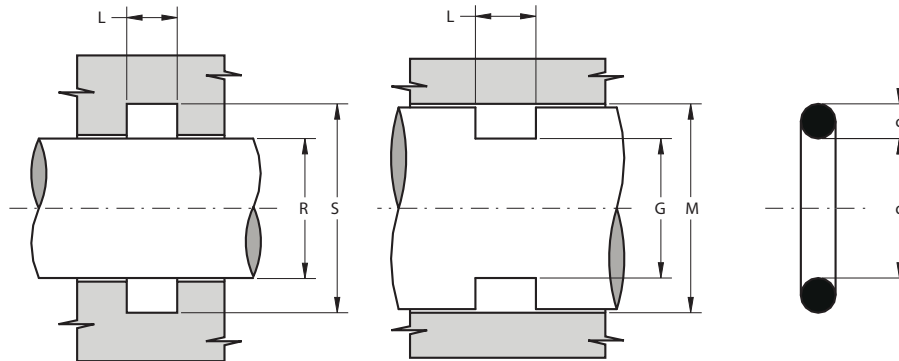
Cod. AS *	Cod. GB	d	c		L ^{+0.2}	R ^{f7}	S ^{H9}	G ^{H9}	M ^{H8}
OR 621	185	89.69	5.34		7	90	99.4	90.6	100
OR 342	6362	91.44	5.34		7	92	101.4	92.6	102
OR 343	6375	94.62	5.34		7	95	104.4	95.6	105
OR 344	6387	97.79	5.34		7	98	107.4	98.6	108
OR 622	189	100.00	5.34		7	100	109.4	100.6	110
OR 345	6400	100.97	5.34		7	101	110.4	101.6	111
OR 346	6412	104.14	5.34		7	104	113.4	105.6	115
OR 347	6425	107.32	5.34		7	107	116.4	108.6	118
OR 623	193	109.50	5.34		7	110	119.4	110.6	120
OR 348	6437	110.50	5.34		7	111	120.4	111.6	121
OR 349	6450	113.67	5.34		7	114	123.4	115.6	125
OR 350	-	116.84	5.34		7	117	126.4	118.6	128
OR 860	199	117.50	5.34		7	118	127.4	118.6	128
OR 351	-	120.02	5.34		7	121	130.4	122.6	132
OR 861	201	120.70	5.34		7	121	130.4	122.6	132
OR 352	-	123.20	5.34		7	124	133.4	123.6	133
OR 862	203	123.80	5.34		7	124	133.4	125.6	135
OR 353	-	126.37	5.34		7	127	136.4	127.6	137
OR 863	206	127.00	5.34		7	127	136.4	127.6	137
OR 354	-	129.54	5.34		7	130	139.4	130.6	140
OR 864	208	130.20	5.34		7	130	139.4	130.6	140
OR 355	-	132.72	5.34		7	133	142.4	133.6	143
OR 865	210	133.40	5.34		7	134	143.4	135.6	145
OR 356	-	135.90	5.34		7	137	146.4	137.6	147
OR 866	213	136.50	5.34		7	137	146.4	137.6	147
OR 357	-	139.07	5.34		7	140	149.4	140.6	150
OR 867	215	139.70	5.34		7	140	149.4	140.6	150



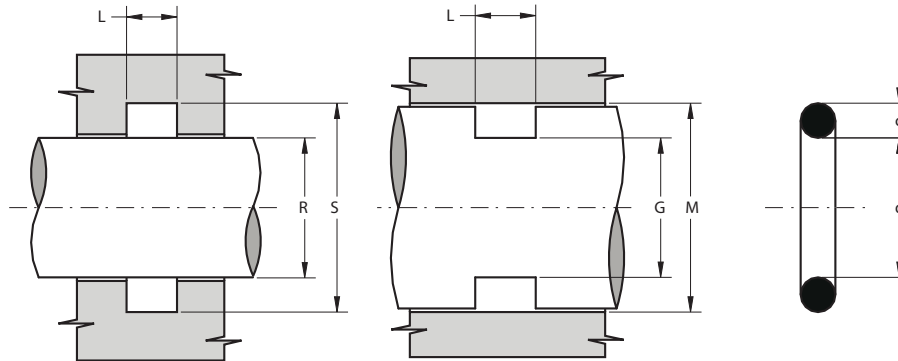
Cod. AS *	Cod. GB	d	c		L ^{+0.2}	R ^{f7}	S ^{H9}	G ^{h9}	M ^{H8}
OR 358	-	142.24	5.34		7	143	152.4	143.6	153
OR 868	217	142.90	5.34		7	143	152.4	143.6	153
OR 359	-	145.42	5.34		7	146	155.4	146.6	156
OR 869	219	146.10	5.34		7	146	155.4	146.6	156
OR 360	-	148.60	5.34		7	150	159.4	150.6	160
OR 870	221	149.20	5.34		7	150	159.4	150.6	160
OR 361	6600	151.77	5.34		7	152	161.4	153.6	163
OR 362	6625	158.12	5.34		7	158	167.4	159.6	169
OR 363	6645	164.47	5.34		7	165	174.4	165.6	175
OR 364	6670	170.82	5.34		7	171	180.4	172.6	182
OR 365	6700	177.17	5.34		7	178	187.4	178.6	188
OR 366	6720	183.52	5.34		7	184	193.4	185.6	195
OR 367	6745	189.87	5.34		7	190	199.4	190.6	200
OR 368	6775	196.22	5.34		7	196	205.4	197.6	207
OR 369	6795	202.57	5.34		7	202	211.4	203.6	213
OR 370	6820	208.92	5.34		7	209	218.4	210.6	220
OR 371	6850	215.27	5.34		7	215	224.4	216.6	226
OR 372	6870	221.62	5.34		7	222	231.4	222.6	232
OR 373	6895	227.97	5.34		7	228	237.4	229.6	239
OR 374	6920	234.32	5.34		7	234	243.4	235.6	245
OR 375	6945	240.67	5.34		7	241	250.4	242.6	252
OR 376	6975	247.02	5.34		7	247	256.4	248.6	258
OR 377	6995	253.37	5.34		7	253	262.4	255.6	265
OR 378	61050	266.07	5.34		7	266	275.4	267.6	277
OR 379	61100	278.77	5.34		7	280	289.4	280.6	290
OR 380	61150	291.47	5.34		7	292	301.4	293.6	303
OR 381	61200	304.17	5.34		7	304	313.4	305.6	315



Cod. AS *	Cod. GB	d	c		L ^{+0.2}	R ^{f7}	S ^{H9}	G ^{H9}	M ^{H8}
OR 382	61300	329.57	5.34		7	330	339.4	330.6	340
OR 383	61400	354.97	5.34		7	355	364.4	355.6	365
OR 384	61500	380.37	5.34		7	380	389.4	382.6	392
OR 385	61600	405.26	5.34		7	405	414.4	406.6	416
OR 386	61700	430.66	5.34		7	431	440.4	432.6	442
OR 387	61800	456.06	5.34		7	456	465.4	458.6	468
OR 388	61900	481.40	5.34		7	482	491.4	484.6	494
OR 389	62000	506.80	5.34		7	507	516.4	509.6	519
OR 390	62100	532.20	5.34		7	532	541.4	534.6	544
OR 391	-	557.60	5.34		7	558	567.4	560.6	570
OR 392	-	582.68	5.34		7	585	594.4	585.6	595
OR 393	-	608.08	5.34		7	610	619.4	610.6	620
OR 394	-	633.48	5.34		7	635	644.4	635.6	645
OR 395	-	658.88	5.34		7	660	669.4	660.6	670
OR 425	8450	113.67	6.99		9.5	114	126.2	114.8	127
OR 624	197	114.70	6.99		9.5	115	127.2	115.8	128
OR 426	8462	116.84	6.99		9.5	117	129.2	117.8	130
OR 427	8475	120.02	6.99		9.5	120	132.2	122.8	135
OR 428	8487	123.20	6.99		9.5	123	135.2	124.8	137
OR 625	204	124.60	6.99		9.5	125	137.2	125.8	138
OR 429	8500	126.37	6.99		9.5	126	138.2	127.8	140
OR 430	8512	129.54	6.99		9.5	130	142.2	130.8	143
OR 431	8525	132.72	6.99		9.5	133	145.2	133.8	146
OR 626	211	134.50	6.99		9.5	135	147.2	135.8	148
OR 432	8537	135.90	6.99		9.5	136	148.2	137.8	150
OR 433	8550	139.07	6.99		9.5	139	151.2	140.8	153
OR 434	8562	142.24	6.99		9.5	142	154.2	143.8	156
OR 435	8575	145.42	6.99		9.5	145	157.2	147.8	160

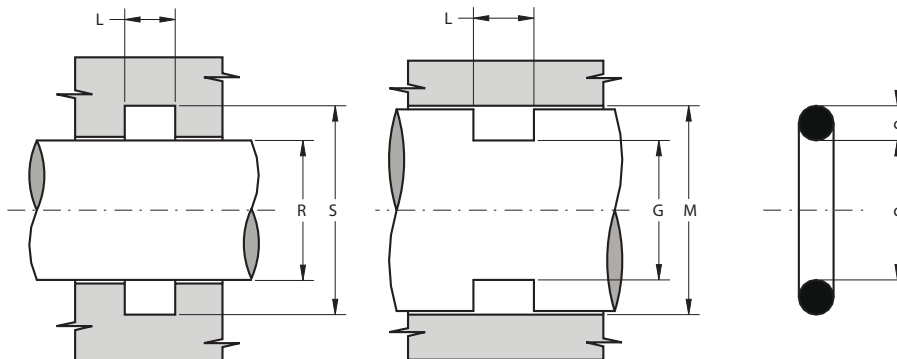


Cod. AS *	Cod. GB	d	c		L ^{+0.2}	R ^{r7}	S ^{H9}	G ^{h9}	M ^{H8}
OR 436	8587	148.60	6.99		9.5	149	161.2	149.8	162
OR 437	8600	151.77	6.99		9.5	152	164.2	152.8	165
OR 872	223	155.60	6.99		9.5	156	168.2	157.8	170
OR 438	8625	158.12	6.99		9.5	158	170.2	159.8	172
OR 627	225	159.50	6.99		9.5	160	172.2	160.8	173
OR 874	226	161.90	6.99		9.5	162	174.2	162.8	175
OR 439	8650	164.47	6.99		9.5	165	177.2	165.8	178
OR 628	228	166.70	6.99		9.5	167	179.2	167.8	180
OR 876	229	168.30	6.99		9.5	168	180.2	169.8	182
OR 440	8675	170.82	6.99		9.5	170	182.2	171.8	184
OR 878	231	174.60	6.99		9.5	175	187.2	175.8	188
OR 441	8700	177.17	6.99		9.5	178	190.2	178.8	191
OR 880	233	181.00	6.99		9.5	180	192.2	182.8	195
OR 442	8725	183.52	6.99		9.5	184	196.2	184.8	197
OR 882	235	187.30	6.99		9.5	188	200.2	187.8	200
OR 443	8750	189.87	6.99		9.5	190	202.2	190.8	203
OR 884	237	193.70	6.99		9.5	194	206.2	194.8	207
OR 444	8775	196.22	6.99		9.5	196	208.2	197.8	210
OR 886	239	200.00	6.99		9.5	200	212.2	201.8	214
OR 445	8800	202.57	6.99		9.5	203	215.2	203.8	216
OR 674	8825	208.92	6.99		9.5	210	222.2	209.8	222
OR 446	8850	215.27	6.99		9.5	215	227.2	217.8	230
OR 676	8875	221.62	6.99		9.5	222	234.2	222.8	235
OR 447	8900	227.97	6.99		9.5	230	242.2	229.8	242
OR 678	8925	234.32	6.99		9.5	235	247.2	237.8	250
OR 448	8950	240.67	6.99		9.5	240	252.2	242.8	255
OR 680	8975	247.00	6.99		9.5	248	260.2	247.8	260
OR 449	81000	253.30	6.99		9.5	255	267.2	257.8	270
OR 682	81025	259.70	6.99		9.5	260	272.2	262.8	275



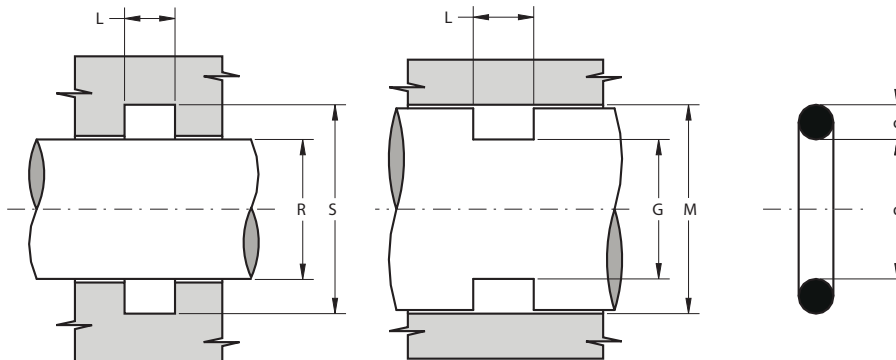
Cod. AS *	Cod. GB	d	c		L ^{+0.2}	R ^{f7}	S ^{H9}	G ^{H9}	M ^{H8}
OR 450	81050	266.07	6.99		9.5	265	277.2	267.8	280
OR 684	81075	272.40	6.99		9.5	273	285.2	273.8	286
OR 451	81100	278.77	6.99		9.5	280	292.2	282.8	295
OR 686	81125	285.10	6.99		9.5	285	297.2	287.8	300
OR 452	81150	291.47	6.99		9.5	292	304.2	292.8	305
OR 688	81175	297.80	6.99		9.5	300	312.2	302.8	315
OR 453	81200	304.17	6.99		9.5	305	317.2	307.8	320
OR 454	81250	316.87	6.99		9.5	318	330.2	317.8	330
OR 455	81300	329.57	6.99		9.5	330	342.2	332.8	345
OR 456	81350	342.27	6.99		9.5	342	354.2	342.8	355
OR 457	81400	354.97	6.99		9.5	355	367.2	357.8	370
OR 458	81450	367.67	6.99		9.5	370	382.2	367.8	380
OR 459	81500	380.37	6.99		9.5	380	392.2	382.8	395
OR 460	81550	393.07	6.99		9.5	393	405.2	397.8	410
OR 461	81600	405.26	6.99		9.5	405	417.2	407.8	420
OR 462	81650	417.96	6.99		9.5	418	430.2	419.8	432
OR 463	81700	430.66	6.99		9.5	431	443.2	432.8	445
OR 464	81750	443.36	6.99		9.5	445	457.2	447.8	460
OR 465	81800	456.06	6.99		9.5	458	470.2	457.8	470
OR 466	81850	468.76	6.99		9.5	470	482.2	467.8	480
OR 467	81900	481.46	6.99		9.5	483	495.2	482.8	495
OR 468	81950	494.16	6.99		9.5	495	507.2	497.8	510
OR 469	82000	506.86	6.99		9.5	508	520.2	507.8	520
OR 470	82100	532.26	6.99		9.5	535	547.2	532.8	545
OR 471	82200	557.66	6.99		9.5	560	572.2	557.8	570
OR 472	82300	582.68	6.99		9.5	580	592.2	587.8	600

* according to AS 568 A regulation



Cod. AS	d	c	L ^{+0.2}	R ^{f7}	S ^{H9}	G ^{h9}	M ^{H8}
OR 1,15X1	1.15	1	1.4	1	2.4	1.8	3.2
OR 1,5X1	1.5	1	1.4	1.5	2.9	2.1	3.5
OR 1,8X1	1.8	1	1.4	1.8	3.2	2.4	3.8
OR 2X1	2	1	1.4	2	3.4	2.6	4
OR 2,5X1	2.5	1	1.4	2.5	3.9	3.1	4.5
OR 3X1	3	1	1.4	3	4.4	3.6	5
OR 3,5X1	3.5	1	1.4	3.5	4.9	4.1	5.5
OR 4X1	4	1	1.4	4	5.4	4.6	6
OR 4,5X1	4.5	1	1.4	4.5	5.9	5.1	6.5
OR 5X1	5	1	1.4	5	6.4	5.6	7
OR 5,5X1	5.5	1	1.4	5.5	6.9	6.1	7.5
OR 6X1	6	1	1.4	6	7.4	6.6	8
OR 6,5X1	6.5	1	1.4	6.5	7.9	7.1	8.5
OR 7X1	7	1	1.4	7	8.4	7.6	9
OR 7,5X1	7.5	1	1.4	7.5	8.9	8.1	9.5
OR 8X1	8	1	1.4	8	9.4	8.6	10
OR 8,5X1	8.5	1	1.4	8.5	9.9	9.1	10.5
OR 9X1	9	1	1.4	9	10.4	9.6	11
OR 9,5X1	9.5	1	1.4	9.5	10.9	10.1	11.5
OR 10X1	10	1	1.4	10	11.4	10.6	12
OR 10,5X1	10.5	1	1.4	10	11.4	11.1	12.5
OR 11X1	11	1	1.4	11	12.4	11.6	13
OR 11,5X1	11.5	1	1.4	11	12.4	12.6	14
OR 12X1	12	1	1.4	12	13.4	12.6	14
OR 12,5X1	12.5	1	1.4	12	13.4	13.6	15
OR 13X1	13	1	1.4	13	14.4	13.6	15
OR 13,5X1	13.5	1	1.4	13	14.4	14.6	16
OR 14X1	14	1	1.4	14	15.4	14.6	16
OR 14,5X1	14.5	1	1.4	14	15.4	15.6	17

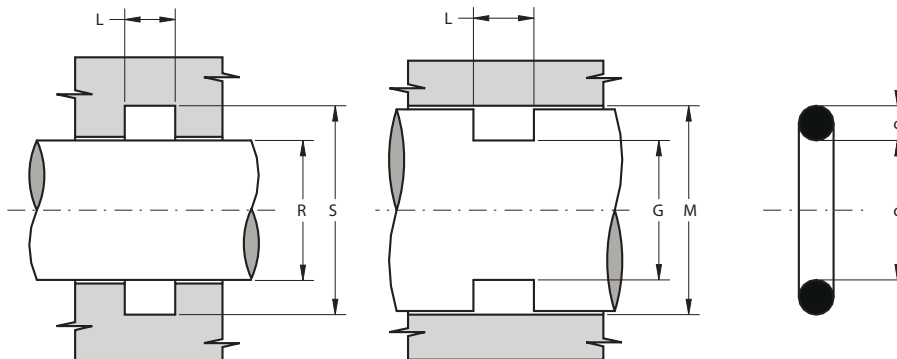
Cod. AS	d	c	L ^{+0.2}	R ^{f7}	S ^{H9}	G ^{h9}	M ^{H8}
OR 15,5X1	15.5	1	1.4	15	16.4	16.6	18
OR 16X1	16	1	1.4	16	17.4	16.6	18
OR 16,5X1	16.5	1	1.4	16	17.4	17.6	19
OR 17X1	17	1	1.4	17	18.4	17.6	19
OR 17,5X1	17.5	1	1.4	17	18.4	18.6	20
OR 18X1	18	1	1.4	18	19.4	18.6	20
OR 18,5X1	18.5	1	1.4	18	19.4	19.6	21
OR 19X1	19	1	1.4	19	20.4	19.6	21
OR 19,5X1	19.5	1	1.4	19	20.4	20.6	22
OR 20X1	20	1	1.4	20	21.4	20.6	22
OR 20,5X1	20.5	1	1.4	20	21.4	21.6	23
OR 21X1	21	1	1.4	21	22.4	21.6	23
OR 21,5X1	21.5	1	1.4	21	22.4	22.6	24
OR 22X1	22	1	1.4	22	23.4	22.6	24
OR 22,5X1	22.5	1	1.4	22	23.4	23.6	25
OR 23X1	23	1	1.4	23	24.4	23.6	25
OR 23,5X1	23.5	1	1.4	23	24.4	24.6	26
OR 24X1	24	1	1.4	24	25.4	24.6	26
OR 24,5X1	24.5	1	1.4	24	25.4	25.6	27
OR 25X1	25	1	1.4	25	26.4	25.6	27
OR 26X1	26	1	1.4	26	27.4	26.6	28
OR 27X1	27	1	1.4	27	28.4	27.6	29
OR 28X1	28	1	1.4	28	29.4	28.6	30
OR 29X1	29	1	1.4	29	30.4	29.6	31
OR 30X1	30	1	1.4	30	31.4	30.6	32
OR 34,4X1	34.4	1	1.4	34	35.4	35.6	37
OR 35X1	35	1	1.4	35	36.4	35.6	37
OR 36X1	36	1	1.4	36	37.4	36.6	38
OR 36,5X1	36.5	1	1.4	36	37.4	37.6	39



Cod. AS	d	c	L ^{+0.2}	R ^{f7}	S ^{H9}	G ^{h9}	M ^{H8}
OR 38X1	38	1	1.4	38	39.4	38.6	40
OR 38,5X1	38.5	1	1.4	38	39.4	39.6	41
OR 40X1	40	1	1.4	40	41.4	40.6	42
OR 45X1	45	1	1.4	45	46.4	45.6	47
OR 74X1	74	1	1.4	74	75.4	74.6	76
OR 90X1	90	1	1.4	90	91.4	90.6	92
OR 94X1	94	1	1.4	94	95.4	94.6	96
OR 137X1	137	1	1.4	137	138.4	137.6	139

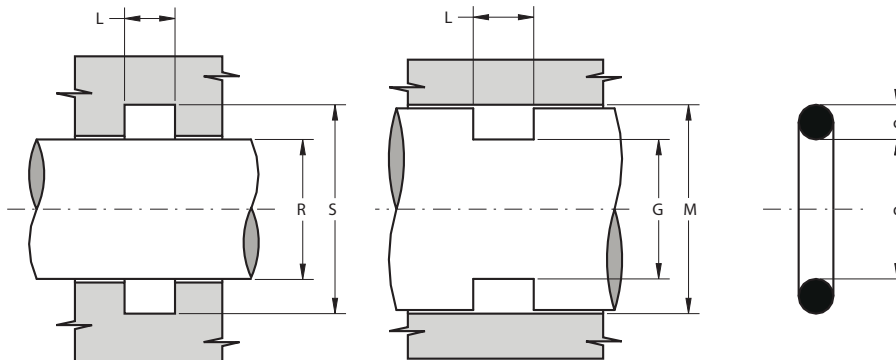
OR 1,5X1,5	1.5	1.5	2	1.5	3.9	2.1	4.5
OR 1,85X1,5	1.85	1.5	2	1.9	4.3	2.5	4.9
OR 2X1,5	2	1.5	2	2	4.4	2.6	5
OR 2,5X1,5	2.5	1.5	2	2.5	4.9	3.1	5.5
OR 2,8X1,5	2.8	1.5	2	2.8	5.2	3.4	5.8
OR 3X1,5	3	1.5	2	3	5.4	3.6	6
OR 3,5X1,5	3.5	1.5	2	3.5	5.9	4.1	6.5
OR 4X1,5	4	1.5	2	4	6.4	4.6	7
OR 4,5X1,5	4.5	1.5	2	4.5	6.9	5.1	7.5
OR 5X1,5	5	1.5	2	5	7.4	5.6	8
OR 5,5X1,5	5.5	1.5	2	5.5	7.9	6.1	8.5
OR 6,5X1,5	6.5	1.5	2	6.5	8.9	7.1	9.5
OR 7X1,5	7	1.5	2	7	9.4	7.6	10
OR 7,5X1,5	7.5	1.5	2	7.5	9.9	8.1	10.5
OR 8X1,5	8	1.5	2	8	10.4	8.6	11
OR 8,5X1,5	8.5	1.5	2	8.5	10.9	9.1	11.5
OR 9X1,5	9	1.5	2	9	11.4	9.6	12
OR 9,5X1,5	9.5	1.5	2	9.5	11.9	10.1	12.5
OR 10X1,5	10	1.5	2	10	12.4	10.6	13
OR 10,5X1,5	10.5	1.5	2	10	12.4	11.1	13.5

Cod. AS	d	c	L ^{+0.2}	R ^{f7}	S ^{H9}	G ^{h9}	M ^{H8}
OR 11X1,5	11	1.5	2	11	13.4	11.6	14
OR 11,5X1,5	11.5	1.5	2	11	13.4	12.6	15
OR 12X1,5	12	1.5	2	12	14.4	12.6	15
OR 12,5X1,5	12.5	1.5	2	12	14.4	13.6	16
OR 13X1,5	13	1.5	2	13	15.4	13.6	16
OR 13,5X1,5	13.5	1.5	2	13	15.4	14.6	17
OR 14X1,5	14	1.5	2	14	16.4	14.6	17
OR 14,5X1,5	14.5	1.5	2	14	16.4	15.6	18
OR 15X1,5	15	1.5	2	15	17.4	15.6	18
OR 15,5X1,5	15.5	1.5	2	15	17.4	16.6	19
OR 16X1,5	16	1.5	2	16	18.4	16.6	19
OR 16,5X1,5	16.5	1.5	2	16	18.4	17.6	20
OR 17X1,5	17	1.5	2	17	19.4	17.6	20
OR 17,5X1,5	17.5	1.5	2	17	19.4	18.6	21
OR 18X1,5	18	1.5	2	18	20.4	18.6	21
OR 18,5X1,5	18.5	1.5	2	18	20.4	19.6	22
OR 19X1,5	19	1.5	2	19	21.4	19.6	22
OR 19,5X1,5	19.5	1.5	2	19	21.4	20.6	23
OR 20X1,5	20	1.5	2	20	22.4	20.6	23
OR 20,5X1,5	20.5	1.5	2	20	22.4	21.6	24
OR 21X1,5	21	1.5	2	21	23.4	21.6	24
OR 21,5X1,5	21.5	1.5	2	21	23.4	22.6	25
OR 22X1,5	22	1.5	2	22	24.4	22.6	25
OR 22,5X1,5	22.5	1.5	2	22	24.4	23.6	26
OR 23X1,5	23	1.5	2	23	25.4	23.6	26
OR 23,5X1,5	23.5	1.5	2	23	25.4	24.6	27
OR 24X1,5	24	1.5	2	24	26.4	24.6	27
OR 24,5X1,5	24.5	1.5	2	24	26.4	25.6	28
OR 25X1,5	25	1.5	2	25	27.4	25.6	28



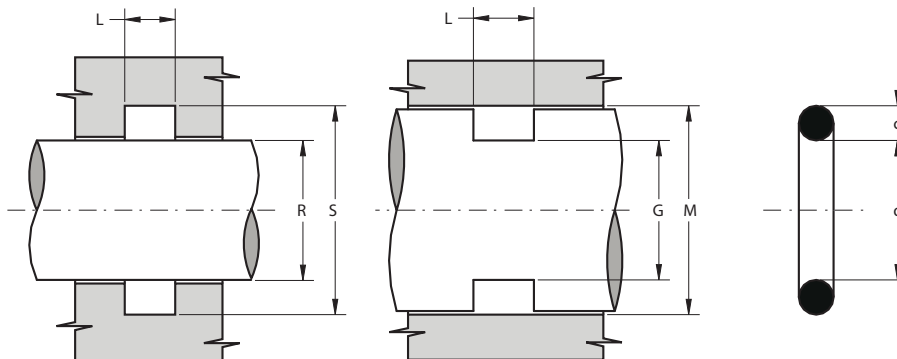
Cod. AS	d	c	L ^{+0.2}	R ^{f7}	S ^{H9}	G ^{h9}	M ^{H8}
OR 25X1,5	25.5	1.5	2	25	27.4	26.6	29
OR 26X1,5	26	1.5	2	26	28.4	26.6	29
OR 26,5X1,5	26.5	1.5	2	26	28.4	27.6	30
OR 27X1,5	27	1.5	2	27	29.4	27.6	30
OR 27,5X1,5	27.5	1.5	2	27	29.4	28.6	31
OR 28X1,5	28	1.5	2	28	30.4	28.6	31
OR 28,5X1,5	28.5	1.5	2	28	30.4	29.6	32
OR 29X1,5	29	1.5	2	29	31.4	29.6	32
OR 29,5X1,5	29.5	1.5	2	29	31.4	30.6	33
OR 30X1,5	30	1.5	2	30	32.4	30.6	33
OR 30,5X1,5	30.5	1.5	2	30	32.4	31.6	34
OR 31X1,5	31	1.5	2	31	33.4	31.6	34
OR 31,5X1,5	31.5	1.5	2	31	33.4	32.6	35
OR 32X1,5	32	1.5	2	32	34.4	32.6	35
OR 32,5X1,5	32.5	1.5	2	32	34.4	33.6	36
OR 33X1,5	33	1.5	2	33	35.4	33.6	36
OR 33,5X1,5	33.5	1.5	2	33	35.4	34.6	37
OR 34X1,5	34	1.5	2	34	36.4	34.6	37
OR 34,5X1,5	34.5	1.5	2	34	36.4	35.6	38
OR 35X1,5	35	1.5	2	35	37.4	35.6	38
OR 35,5X1,5	35.5	1.5	2	35	37.4	36.6	39
OR 36X1,5	36	1.5	2	36	38.4	36.6	39
OR 36,5X1,5	36.5	1.5	2	36	38.4	37.6	40
OR 37X1,5	37	1.5	2	37	39.4	37.6	40
OR 37,5X1,5	37.5	1.5	2	37	39.4	38.6	41
OR 38X1,5	38	1.5	2	38	40.4	38.6	41
OR 38,5X1,5	38.5	1.5	2	38	40.4	39.6	42
OR 39X1,5	39	1.5	2	39	41.4	39.6	42

Cod. AS	d	c	L ^{+0.2}	R ^{f7}	S ^{H9}	G ^{h9}	M ^{H8}
OR 39,5X1,5	39.5	1.5	2	39	41.4	40.6	43
OR 40X1,5	40	1.5	2	40	42.4	40.6	43
OR 41X1,5	41	1.5	2	41	43.4	41.6	44
OR 42X1,5	42	1.5	2	42	44.4	42.6	45
OR 43X1,5	43	1.5	2	43	45.4	43.6	46
OR 44X1,5	44	1.5	2	44	46.4	44.6	47
OR 45X1,5	45	1.5	2	45	47.4	45.6	48
OR 46X1,5	46	1.5	2	46	48.4	46.6	49
OR 47X1,5	47	1.5	2	47	49.4	47.6	50
OR 48X1,5	48	1.5	2	48	50.4	48.6	51
OR 49X1,5	49	1.5	2	49	51.4	49.6	52
OR 50X1,5	50	1.5	2	50	52.4	50.6	53
OR 51X1,5	51	1.5	2	51	53.4	51.6	54
OR 52X1,5	52	1.5	2	52	54.4	52.6	55
OR 53X1,5	53	1.5	2	53	55.4	53.6	56
OR 54X1,5	54	1.5	2	54	56.4	54.6	57
OR 55X1,5	55	1.5	2	55	57.4	55.6	58
OR 56X1,5	56	1.5	2	56	58.4	56.6	59
OR 57X1,5	57	1.5	2	57	59.4	57.6	60
OR 58X1,5	58	1.5	2	58	60.4	58.6	61
OR 59X1,5	59	1.5	2	59	61.4	59.6	62
OR 60X1,5	60	1.5	2	60	62.4	60.6	63
OR 61X1,5	61	1.5	2	61	63.4	61.6	64
OR 62X1,5	62	1.5	2	62	64.4	62.6	65
OR 63X1,5	63	1.5	2	63	65.4	63.6	66
OR 64X1,5	64	1.5	2	64	66.4	64.6	67
OR 65X1,5	65	1.5	2	65	67.4	65.6	68
OR 66X1,5	66	1.5	2	66	68.4	66.6	69
OR 67X1,5	67	1.5	2	67	69.4	67.6	70



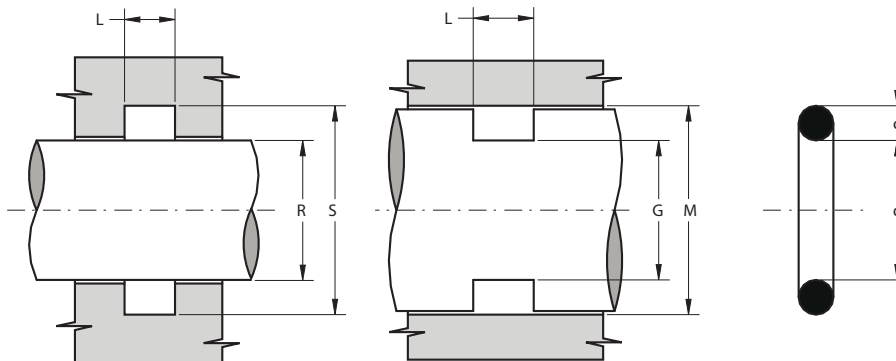
Cod. AS	d	c	L ^{+0.2}	R ^{f7}	S ^{H9}	G ^{h9}	M ^{H8}
OR 68X1,5	68	1.5	2	68	70.4	68.6	71
OR 69X1,5	69	1.5	2	69	71.4	69.6	72
OR 70X1,5	70	1.5	2	70	72.4	70.6	73
OR 71X1,5	71	1.5	2	71	73.4	71.6	74
OR 72X1,5	72	1.5	2	72	74.4	72.6	75
OR 73X1,5	73	1.5	2	73	75.4	73.6	76
OR 74X1,5	74	1.5	2	74	76.4	74.6	77
OR 75X1,5	75	1.5	2	75	77.4	75.6	78
OR 76X1,5	76	1.5	2	76	78.4	76.6	79
OR 77X1,5	77	1.5	2	77	79.4	77.6	80
OR 78X1,5	78	1.5	2	78	80.4	78.6	81
OR 79X1,5	79	1.5	2	79	81.4	79.6	82
OR 80X1,5	80	1.5	2	80	82.4	80.6	83
OR 81X1,5	81	1.5	2	81	83.4	81.6	84
OR 82X1,5	82	1.5	2	82	84.4	82.6	85
OR 83X1,5	83	1.5	2	83	85.4	83.6	86
OR 84X1,5	84	1.5	2	84	86.4	84.6	87
OR 85X1,5	85	1.5	2	85	87.4	85.6	88
OR 87X1,5	87	1.5	2	87	89.4	87.6	90
OR 88X1,5	88	1.5	2	88	90.4	88.6	91
OR 89X1,5	89	1.5	2	89	91.4	89.6	92
OR 90X1,5	90	1.5	2	90	92.4	90.6	93
OR 91X1,5	91	1.5	2	91	93.4	91.6	94
OR 92X1,5	92	1.5	2	92	94.4	92.6	95
OR 93X1,5	93	1.5	2	93	95.4	93.6	96
OR 94X1,5	94	1.5	2	94	96.4	94.6	97
OR 95X1,5	95	1.5	2	95	97.4	95.6	98
OR 96X1,5	96	1.5	2	96	98.4	96.6	99
OR 97X1,5	97	1.5	2	97	99.4	97.6	100

Cod. AS	d	c	L ^{+0.2}	R ^{f7}	S ^{H9}	G ^{h9}	M ^{H8}
OR 98X1,5	98	1.5	2	98	100.4	98.6	101
OR 99X1,5	99	1.5	2	99	101.4	99.6	102
OR 100X1,5	100	1.5	2	100	102.4	100.6	103
OR 105X1,5	105	1.5	2	105	107.4	105.6	108
OR 132X1,5	132	1.5	2	132	134.4	132.6	135
OR 2,7X1,6	2.7	1.6	2.1	2.7	5.2	3.4	5.9
OR 3,1X1,6	3.1	1.6	2.1	3.1	5.6	3.8	6.3
OR 4,1X1,6	4.1	1.6	2.1	4	6.5	5	7.5
OR 5,1X1,6	5.1	1.6	2.1	5	7.5	6	8.5
OR 5,2X1,6	5.2	1.6	2.1	5	7.5	6	8.5
OR 6,1X1,6	6.1	1.6	2.1	6	8.5	7	9.5
OR 7,1X1,6	7.1	1.6	2.1	7	9.5	8	10.5
OR 9,1X1,6	9.1	1.6	2.1	9	11.5	10	12.5
OR 9,5X1,6	9.5	1.6	2.1	9.5	12	10.5	13
OR 10,1X1,6	10.1	1.6	2.1	10	12.5	11	13.5
OR 11,1X1,6	11.1	1.6	2.1	11	13.5	12.5	15
OR 12,1X1,6	12.1	1.6	2.1	12	14.5	13.5	16
OR 13,1X1,6	13.1	1.6	2.1	13	15.5	14.5	17
OR 14,1X1,6	14.1	1.6	2.1	14	16.5	15.5	18
OR 15,1X1,6	15.1	1.6	2.1	15	17.5	16.5	19
OR 17,1X1,6	17.1	1.6	2.1	17	19.5	18.5	21
OR 18,1X1,6	18.1	1.6	2.1	18	20.5	19.5	22
OR 19,1X1,6	19.1	1.6	2.1	19	21.5	20.5	23
OR 22,1X1,6	22.1	1.6	2.1	22	24.5	23.5	26
OR 25,1X1,6	25.1	1.6	2.1	25	27.5	26.5	29
OR 27,1X1,6	27.1	1.6	2.1	27	29.5	28.5	31
OR 29,1X1,6	29.1	1.6	2.1	29	31.5	30.5	33
OR 32,1X1,6	32.1	1.6	2.1	32	34.5	33.5	36



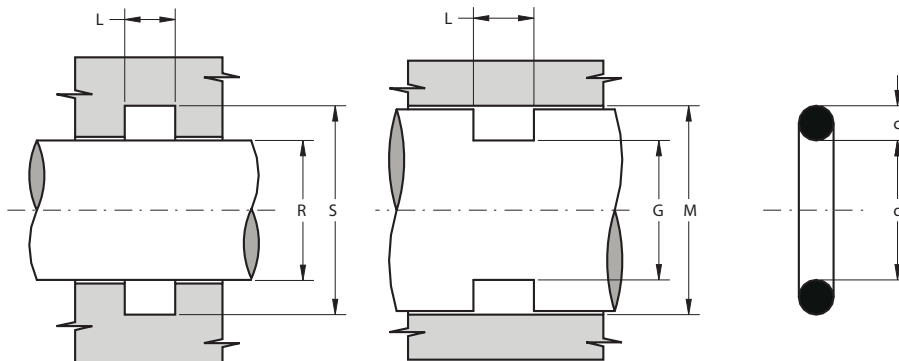
Cod. AS	d	c	L ^{+0.2}	R ^{f7}	S ^{H9}	G ^{h9}	M ^{H8}
OR 35,1X1,6	35.1	1.6	2.1	35	37.5	36.5	39
OR 35,1X1,6	35.1	1.6	2.1	35	37.5	36.5	39
OR 37,1X1,6	37.1	1.6	2.1	37	39.5	38.5	41
OR 2,5X2	2.5	2	2.7	2.5	5.8	3.2	6.5
OR 3X2	3	2	2.7	3	6.3	3.7	7
OR 3,5X2	3.5	2	2.7	3.5	6.8	4.2	7.5
OR 4X2	4	2	2.7	4	7.3	4.7	8
OR 4,5X2	4.5	2	2.7	4.5	7.8	5.2	8.5
OR 5X2	5	2	2.7	5	8.3	5.7	9
OR 5,5X2	5.5	2	2.7	5.5	8.8	6.2	9.5
OR 6X2	6	2	2.7	6	9.3	6.7	10
OR 6,5X2	6.5	2	2.7	6.5	9.8	7.2	10.5
OR 7X2	7	2	2.7	7	10.3	7.7	11
OR 7,5X2	7.5	2	2.7	7.5	10.8	8.2	11.5
OR 8X2	8	2	2.7	8	11.3	8.7	12
OR 8,5X2	8.5	2	2.7	8.5	11.8	9.2	12.5
OR 9X2	9	2	2.7	9	12.3	9.7	13
OR 9,5X2	9.5	2	2.7	9.5	12.8	10.2	13.5
OR 10X2	10	2	2.7	10	13.3	10.7	14
OR 10,5X2	10.5	2	2.7	10	13.3	11.7	15
OR 11X2	11	2	2.7	11	14.3	11.7	15
OR 11,5X2	11.5	2	2.7	11	14.3	12.7	16
OR 12X2	12	2	2.7	12	15.3	12.7	16
OR 12,5X2	12.5	2	2.7	12	15.3	13.7	17
OR 13X2	13	2	2.7	13	16.3	13.7	17
OR 13,5X2	13.5	2	2.7	13	16.3	14.7	18
OR 14X2	14	2	2.7	14	17.3	14.7	18
OR 14,5X2	14.5	2	2.7	14	17.3	15.7	19

Cod. AS	d	c	L ^{+0.2}	R ^{f7}	S ^{H9}	G ^{h9}	M ^{H8}
OR 15X2	15	2	2.7	15	18.3	15.7	19
OR 15,5X2	15.5	2	2.7	15	18.3	16.7	20
OR 16X2	16	2	2.7	16	19.3	16.7	20
OR 16,5X2	16.5	2	2.7	16	19.3	17.7	21
OR 17X2	17	2	2.7	17	20.3	17.7	21
OR 17,5X2	17.5	2	2.7	17	20.3	18.7	22
OR 18X2	18	2	2.7	18	21.3	18.7	22
OR 18,5X2	18.5	2	2.7	18	21.3	19.7	23
OR 19X2	19	2	2.7	19	22.3	19.7	23
OR 19,5X2	19.5	2	2.7	19	22.3	20.7	24
OR 20X2	20	2	2.7	20	23.3	20.7	24
OR 20,5X2	20.5	2	2.7	20	23.3	21.7	25
OR 21X2	21	2	2.7	21	24.3	21.7	25
OR 21,5X2	21.5	2	2.7	21	24.3	22.7	26
OR 22X2	22	2	2.7	22	25.3	22.7	26
OR 22,5X2	22.5	2	2.7	22	25.3	23.7	27
OR 23X2	23	2	2.7	23	26.3	23.7	27
OR 23,5X2	23.5	2	2.7	23	26.3	24.7	28
OR 24X2	24	2	2.7	24	27.3	24.7	28
OR 24,5X2	24.5	2	2.7	24	27.3	25.7	29
OR 25X2	25	2	2.7	25	28.3	25.7	29
OR 25,5X2	25.5	2	2.7	25	28.3	26.7	30
OR 26X2	26	2	2.7	26	29.3	26.7	30
OR 26,5X2	26.5	2	2.7	26	29.3	27.7	31
OR 27X2	27	2	2.7	27	30.3	27.7	31
OR 27,5X2	27.5	2	2.7	27	30.3	28.7	32
OR 28X2	28	2	2.7	28	31.3	28.7	32
OR 28,5X2	28.5	2	2.7	28	31.3	29.7	33
OR 29X2	29	2	2.7	29	32.3	29.7	33



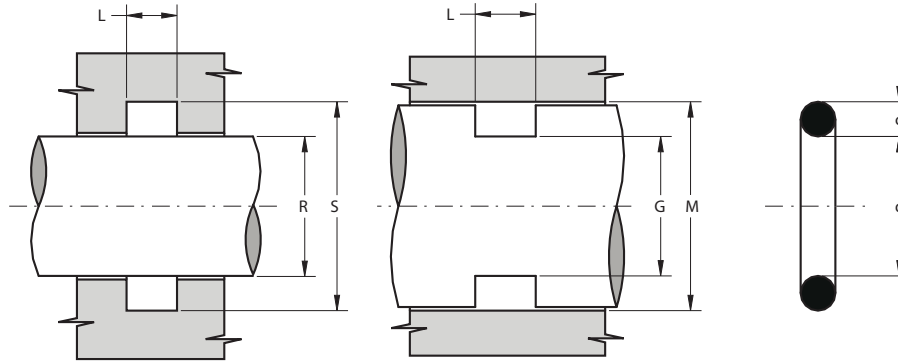
Cod. AS	d	c	L ^{+0.2}	R ^{f7}	S ^{H9}	G ^{h9}	M ^{H8}
OR 29,5X2	29.5	2	2.7	29	32.3	30.7	34
OR 30X2	30	2	2.7	30	33.3	30.7	34
OR 30,5X2	30.5	2	2.7	30	33.3	31.7	35
OR 31X2	31	2	2.7	31	34.3	31.7	35
OR 31,5X2	31.5	2	2.7	31	34.3	32.7	36
OR 32X2	32	2	2.7	32	35.3	32.7	36
OR 32,5X2	32.5	2	2.7	32	35.3	33.7	37
OR 33X2	33	2	2.7	33	36.3	33.7	37
OR 33,5X2	33.5	2	2.7	33	36.3	34.7	38
OR 34X2	34	2	2.7	34	37.3	34.7	38
OR 34,5X2	34.5	2	2.7	34	37.3	35.7	39
OR 35X2	35	2	2.7	35	38.3	35.7	39
OR 35,5X2	35.5	2	2.7	35	38.3	36.7	40
OR 36X2	36	2	2.7	36	39.3	36.7	40
OR 36,5X2	36.5	2	2.7	36	39.3	37.7	41
OR 37X2	37	2	2.7	37	40.3	37.7	41
OR 37,5X2	37.5	2	2.7	37	40.3	38.7	42
OR 38X2	38	2	2.7	38	41.3	38.7	42
OR 38,5X2	38.5	2	2.7	38	41.3	39.7	43
OR 39X2	39	2	2.7	39	42.3	39.7	43
OR 39,5X2	39.5	2	2.7	39	42.3	40.7	44
OR 40X2	40	2	2.7	40	43.3	40.7	44
OR 41X2	41	2	2.7	41	44.3	41.7	45
OR 42X2	42	2	2.7	42	45.3	42.7	46
OR 43X2	43	2	2.7	43	46.3	43.7	47
OR 44X2	44	2	2.7	44	47.3	44.7	48
OR 44,5X2	44.5	2	2.7	44	47.3	45.7	49
OR 45X2	45	2	2.7	45	48.3	45.7	49
OR 46X2	46	2	2.7	46	49.3	46.7	50

Cod. AS	d	c	L ^{+0.2}	R ^{f7}	S ^{H9}	G ^{h9}	M ^{H8}
OR 47X2	47	2	2.7	47	50.3	47.7	51
OR 48X2	48	2	2.7	48	51.3	48.7	52
OR 49X2	49	2	2.7	49	52.3	49.7	53
OR 50X2	50	2	2.7	50	53.3	50.7	54
OR 51X2	51	2	2.7	51	54.3	51.7	55
OR 52X2	52	2	2.7	52	55.3	52.7	56
OR 53X2	53	2	2.7	53	56.3	53.7	57
OR 54X2	54	2	2.7	54	57.3	54.7	58
OR 55X2	55	2	2.7	55	58.3	55.7	59
OR 56X2	56	2	2.7	56	59.3	56.7	60
OR 57X2	57	2	2.7	57	60.3	57.7	61
OR 58X2	58	2	2.7	58	61.3	58.7	62
OR 59X2	59	2	2.7	59	62.3	59.7	63
OR 60X2	60	2	2.7	60	63.3	60.7	64
OR 61X2	61	2	2.7	61	64.3	61.7	65
OR 62X2	62	2	2.7	62	65.3	62.7	66
OR 63X2	63	2	2.7	63	66.3	63.7	67
OR 64X2	64	2	2.7	64	67.3	64.7	68
OR 65X2	65	2	2.7	65	68.3	65.7	69
OR 66X2	66	2	2.7	66	69.3	66.7	70
OR 67X2	67	2	2.7	67	70.3	67.7	71
OR 68X2	68	2	2.7	68	71.3	68.7	72
OR 69X2	69	2	2.7	69	72.3	69.7	73
OR 70X2	70	2	2.7	70	73.3	70.7	74
OR 71X2	71	2	2.7	71	74.3	71.7	75
OR 72X2	72	2	2.7	72	75.3	72.7	76
OR 73X2	73	2	2.7	73	76.3	73.7	77
OR 73,5X2	73.5	2	2.7	73	76.3	74.7	78
OR 74X2	74	2	2.7	74	77.3	74.7	78



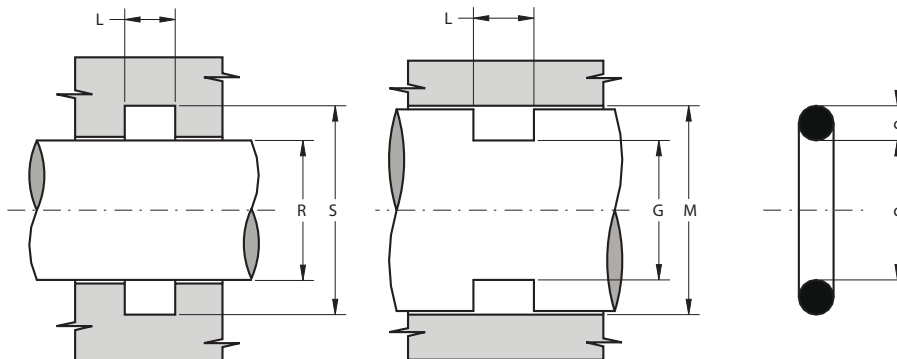
Cod. AS	d	c	L ^{+0.2}	R ^{f7}	S ^{H9}	G ^{h9}	M ^{H8}
OR 75X2	75	2	2.7	75	78.3	75.7	79
OR 76X2	76	2	2.7	76	79.3	76.7	80
OR 77X2	77	2	2.7	77	80.3	77.7	81
OR 78X2	78	2	2.7	78	81.3	78.7	82
OR 79X2	79	2	2.7	79	82.3	79.7	83
OR 80X2	80	2	2.7	80	83.3	80.7	84
OR 81X2	81	2	2.7	81	84.3	81.7	85
OR 82X2	82	2	2.7	82	85.3	82.7	86
OR 83X2	83	2	2.7	83	86.3	83.7	87
OR 84X2	84	2	2.7	84	87.3	84.7	88
OR 85X2	85	2	2.7	85	88.3	85.7	89
OR 86X2	86	2	2.7	86	89.3	86.7	90
OR 87X2	87	2	2.7	87	90.3	87.7	91
OR 88X2	88	2	2.7	88	91.3	88.7	92
OR 89X2	89	2	2.7	89	92.3	89.7	93
OR 90X2	90	2	2.7	90	93.3	90.7	94
OR 91X2	91	2	2.7	91	94.3	91.7	95
OR 92X2	92	2	2.7	92	95.3	92.7	96
OR 93X2	93	2	2.7	93	96.3	93.7	97
OR 94X2	94	2	2.7	94	97.3	94.7	98
OR 95X2	95	2	2.7	95	98.3	95.7	99
OR 96X2	96	2	2.7	96	99.3	96.7	100
OR 97X2	97	2	2.7	97	100.3	97.7	101
OR 98X2	98	2	2.7	98	101.3	98.7	102
OR 99X2	99	2	2.7	99	102.3	99.7	103
OR 100X2	100	2	2.7	100	103.3	100.7	104
OR 104X2	104	2	2.7	104	107.3	104.7	108
OR 106X2	106	2	2.7	106	109.3	106.7	110
OR 110X2	110	2	2.7	110	113.3	110.7	114

Cod. AS	d	c	L ^{+0.2}	R ^{f7}	S ^{H9}	G ^{h9}	M ^{H8}
OR 112X2	112	2	2.7	112	115.3	112.7	116
OR 118,5X2	118.5	2	2.7	118	121.3	119.7	123
OR 120X2	120	2	2.7	120	123.3	120.7	124
OR 125X2	125	2	2.7	125	128.3	125.7	129
OR 128X2	128	2	2.7	128	131.3	128.7	132
OR 132X2	132	2	2.7	132	135.3	132.7	136
OR 143X2	143	2	2.7	143	146.3	143.7	147
OR 143,5X2	143.5	2	2.7	143	146.3	144.7	148
OR 180X2	180	2	2.7	180	183.3	181.7	185
OR 195X2	195	2	2.7	195	198.3	196.7	200
OR 234X2	234	2	2.7	230	233.3	236.7	240
OR 3,3X2,4	3.3	2.4	3.2	3.3	7.3	4.1	8.1
OR 3,6X2,4	3.6	2.4	3.2	3.5	7.5	4.4	8.4
OR 4,3X2,4	4.3	2.4	3.2	4.3	8.3	5.5	9.5
OR 4,6X2,4	4.6	2.4	3.2	4.6	8.6	5.5	9.5
OR 5,3X2,4	5.3	2.4	3.2	5	9	6.5	10.5
OR 5,5X2,4	5.5	2.4	3.2	5.5	9.5	6.5	10.5
OR 5,6X2,4	5.6	2.4	3.2	5.5	9.5	6.5	10.5
OR 6,3X2,4	6.3	2.4	3.2	6	10	7.5	11.5
OR 6,6X2,4	6.6	2.4	3.2	6.5	10.5	7.5	11.5
OR 7,3X2,4	7.3	2.4	3.2	7	11	8.5	12.5
OR 7,5X2,4	7.5	2.4	3.2	7.5	11.5	8.5	12.5
OR 7,6X2,4	7.6	2.4	3.2	7.5	11.5	8.5	12.5
OR 8,3X2,4	8.3	2.4	3.2	8	12	9.5	13.5
OR 8,6X2,4	8.6	2.4	3.2	8.5	12.5	9.5	13.5
OR 9,3X2,4	9.3	2.4	3.2	9	13	10.5	14.5
OR 9,6X2,4	9.6	2.4	3.2	9.5	13.5	10.5	14.5
OR 10,3X2,4	10.3	2.4	3.2	10	14	11.5	15.5



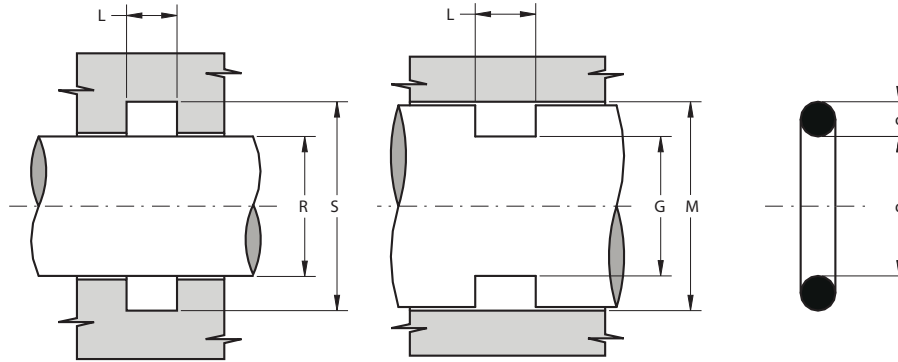
Cod. AS	d	c	L ^{+0.2}	R ^{f7}	S ^{H9}	G ^{h9}	M ^{H8}
OR 10,5X2,4	10.5	2.4	3.2	10	14	12	16
OR 10,6X2,4	10.6	2.4	3.2	10	14	12	16
OR 11,3X2,4	11.3	2.4	3.2	11	15	13	17
OR 11,5X2,4	11.5	2.4	3.2	11	15	13	17
OR 11,6X2,4	11.6	2.4	3.2	11	15	13	17
OR 12,3X2,4	12.3	2.4	3.2	12	16	14	18
OR 12,6X2,4	12.6	2.4	3.2	12	16	14	18
OR 13,3X2,4	13.3	2.4	3.2	13	17	15	19
OR 13,5X2,4	13.5	2.4	3.2	13	17	15	19
OR 13,6X2,4	13.6	2.4	3.2	13	17	15	19
OR 14,3X2,4	14.3	2.4	3.2	14	18	16	20
OR 14,5X2,4	14.5	2.4	3.2	14	18	16	20
OR 14,6X2,4	14.6	2.4	3.2	14	18	16	20
OR 15,3X2,4	15.3	2.4	3.2	15	19	17	21
OR 15,5X2,4	15.5	2.4	3.2	15	19	17	21
OR 15,6X2,4	15.6	2.4	3.2	15	19	17	21
OR 16,3X2,4	16.3	2.4	3.2	16	20	18	22
OR 16,6X2,4	16.6	2.4	3.2	16	20	18	22
OR 17,3X2,4	17.3	2.4	3.2	17	21	19	23
OR 17,5X2,4	17.5	2.4	3.2	17	21	19	23
OR 17,6X2,4	17.6	2.4	3.2	17	21	19	23
OR 18,6X2,4	18.6	2.4	3.2	18	22	20	24
OR 19,3X2,4	19.3	2.4	3.2	19	23	21	25
OR 19,6X2,4	19.6	2.4	3.2	19	23	21	25
OR 20,3X2,4	20.3	2.4	3.2	20	24	22	26
OR 20,5X2,4	20.5	2.4	3.2	20	24	22	26
OR 21,3X2,4	21.3	2.4	3.2	21	25	23	27
OR 21,5X2,4	21.5	2.4	3.2	21	25	23	27
OR 21,6X2,4	21.6	2.4	3.2	21	25	23	27

Cod. AS	d	c	L ^{+0.2}	R ^{f7}	S ^{H9}	G ^{h9}	M ^{H8}
OR 22,3X2,4	22.3	2.4	3.2	22	26	24	28
OR 23,5X2,4	23.5	2.4	3.2	23	27	25	29
OR 24,5X2,4	24.5	2.4	3.2	24	28	26	30
OR 24,6X2,4	24.6	2.4	3.2	24	28	26	30
OR 25X2,4	25	2.4	3.2	25	29	26	30
OR 25,3X2,4	25.3	2.4	3.2	25	29	27	31
OR 27,3X2,4	27.3	2.4	3.2	27	31	29	33
OR 27,5X2,4	27.5	2.4	3.2	27	31	29	33
OR 27,6X2,4	27.6	2.4	3.2	27	31	29	33
OR 29,6X2,4	29.6	2.4	3.2	29	33	31	35
OR 31,6X2,4	31.6	2.4	3.2	31	35	33	37
OR 33X2,4	33	2.4	3.2	33	37	34	38
OR 33,3X2,4	33.3	2.4	3.2	33	37	35	39
OR 34,6X2,4	34.6	2.4	3.2	34	38	36	40
OR 37,6X2,4	37.6	2.4	3.2	37	41	39	43
OR 39,6X2,4	39.6	2.4	3.2	39	43	41	45
OR 41,6X2,4	41.6	2.4	3.2	41	45	43	47
OR 44,6X2,4	44.6	2.4	3.2	44	48	46	50
OR 49,6X2,4	49.6	2.4	3.2	49	53	51	55
OR 51,6X2,4	51.6	2.4	3.2	51	55	53	57
OR 54,6X2,4	54.6	2.4	3.2	54	58	56	60
OR 57,6X2,4	57.6	2.4	3.2	57	61	59	63
OR 59,6X2,4	59.6	2.4	3.2	59	63	61	65
OR 61,6X2,4	61.6	2.4	3.2	61	65	63	67
OR 64,6X2,4	64.6	2.4	3.2	64	68	66	70
OR 67,6X2,4	67.6	2.4	3.2	67	71	69	73
OR 69,6X2,4	69.6	2.4	3.2	69	73	71	75
OR 4X2,5	4	2.5	3.3	4	8.2	4.8	9



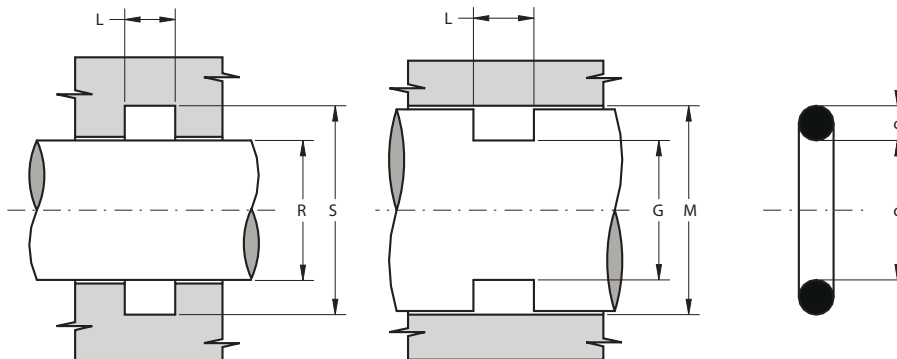
Cod. AS	d	c	L ^{+0.2}	R ^{f7}	S ^{H9}	G ^{h9}	M ^{H8}
OR 5X2,5	5	2.5	3.3	5	9.2	5.8	10
OR 5,5X2,5	5.5	2.5	3.3	5.5	9.7	6.3	10.5
OR 6X2,5	6	2.5	3.3	6	10.2	6.8	11
OR 6,5X2,5	6.5	2.5	3.3	6.5	10.7	7.3	11.5
OR 7X2,5	7	2.5	3.3	7	11.2	7.8	12
OR 7,5X2,5	7.5	2.5	3.3	7.5	11.7	8.3	12.5
OR 8X2,5	8	2.5	3.3	8	12.2	8.8	13
OR 8,5X2,5	8.5	2.5	3.3	8.5	12.7	9.3	13.5
OR 9X2,5	9	2.5	3.3	9	13.2	9.8	14
OR 9,5X2,5	9.5	2.5	3.3	9.5	13.7	10.3	14.5
OR 10X2,5	10	2.5	3.3	10	14.2	10.8	15
OR 10,5X2,5	10.5	2.5	3.3	10	14.2	11.8	16
OR 11X2,5	11	2.5	3.3	11	15.2	11.8	16
OR 11,5X2,5	11.5	2.5	3.3	11	15.2	12.8	17
OR 12X2,5	12	2.5	3.3	12	16.2	12.8	17
OR 13X2,5	13	2.5	3.3	13	17.2	13.8	18
OR 13,5X2,5	13.5	2.5	3.3	13	17.2	14.8	19
OR 14X2,5	14	2.5	3.3	14	18.2	14.8	19
OR 14,5X2,5	14.5	2.5	3.3	14	18.2	15.8	20
OR 15X2,5	15	2.5	3.3	15	19.2	15.8	20
OR 15,5X2,5	15.5	2.5	3.3	15	19.2	16.8	21
OR 16X2,5	16	2.5	3.3	16	20.2	16.8	21
OR 17X2,5	17	2.5	3.3	17	21.2	17.8	22
OR 17,5X2,5	17.5	2.5	3.3	17	21.2	18.8	23
OR 18X2,5	18	2.5	3.3	18	22.2	18.8	23
OR 19X2,5	19	2.5	3.3	19	23.2	19.8	24
OR 19,5X2,5	19.5	2.5	3.3	19	23.2	20.8	25
OR 20X2,5	20	2.5	3.3	20	24.2	20.8	25
OR 20,5X2,5	20.5	2.5	3.3	20	24.2	21.8	26

Cod. AS	d	c	L ^{+0.2}	R ^{f7}	S ^{H9}	G ^{h9}	M ^{H8}
OR 21X2,5	21	2.5	3.3	21	25.2	21.8	26
OR 21,5X2,5	21.5	2.5	3.3	21	25.2	22.8	27
OR 22X2,5	22	2.5	3.3	22	26.2	22.8	27
OR 22,5X2,5	22.5	2.5	3.3	22	26.2	23.8	28
OR 23X2,5	23	2.5	3.3	23	27.2	23.8	28
OR 24X2,5	24	2.5	3.3	24	28.2	24.8	29
OR 24,5X2,5	24.5	2.5	3.3	24	28.2	25.8	30
OR 25X2,5	25	2.5	3.3	25	29.2	25.8	30
OR 26X2,5	26	2.5	3.3	26	30.2	26.8	31
OR 27X2,5	27	2.5	3.3	27	31.2	27.8	32
OR 28X2,5	28	2.5	3.3	28	32.2	28.8	33
OR 29X2,5	29	2.5	3.3	29	33.2	29.8	34
OR 29,5X2,5	29.5	2.5	3.3	29	33.2	30.8	35
OR 30X2,5	30	2.5	3.3	30	34.2	30.8	35
OR 30,5X2,5	30.5	2.5	3.3	30	34.2	31.8	36
OR 31X2,5	31	2.5	3.3	31	35.2	31.8	36
OR 32X2,5	32	2.5	3.3	32	36.2	32.8	37
OR 32,5X2,5	32.5	2.5	3.3	32	36.2	33.8	38
OR 33X2,5	33	2.5	3.3	33	37.2	33.8	38
OR 33,5X2,5	33.5	2.5	3.3	33	37.2	34.8	39
OR 34X2,5	34	2.5	3.3	34	38.2	34.8	39
OR 35X2,5	35	2.5	3.3	35	39.2	35.8	40
OR 35,5X2,5	35.5	2.5	3.3	35	39.2	36.8	41
OR 36X2,5	36	2.5	3.3	36	40.2	36.8	41
OR 37X2,5	37	2.5	3.3	37	41.2	37.8	42
OR 38X2,5	38	2.5	3.3	38	42.2	38.8	43
OR 39X2,5	39	2.5	3.3	39	43.2	39.8	44
OR 40X2,5	40	2.5	3.3	40	44.2	40.8	45
OR 41X2,5	41	2.5	3.3	41	45.2	41.8	46



Cod. AS	d	c	L ^{+0.2}	R ^{f7}	S ^{H9}	G ^{h9}	M ^{H8}
OR 42X2,5	42	2.5	3.3	42	46.2	42.8	47
OR 43X2,5	43	2.5	3.3	43	47.2	43.8	48
OR 44X2,5	44	2.5	3.3	44	48.2	44.8	49
OR 45X2,5	45	2.5	3.3	45	49.2	45.8	50
OR 46X2,5	46	2.5	3.3	46	50.2	46.8	51
OR 47X2,5	47	2.5	3.3	47	51.2	47.8	52
OR 48X2,5	48	2.5	3.3	48	52.2	48.8	53
OR 49X2,5	49	2.5	3.3	49	53.2	49.8	54
OR 50X2,5	50	2.5	3.3	50	54.2	50.8	55
OR 50,5X2,5	50.5	2.5	3.3	50	54.2	51.8	56
OR 51X2,5	51	2.5	3.3	51	55.2	51.8	56
OR 52X2,5	52	2.5	3.3	52	56.2	52.8	57
OR 54X2,5	54	2.5	3.3	54	58.2	54.8	59
OR 55X2,5	55	2.5	3.3	55	59.2	55.8	60
OR 56X2,5	56	2.5	3.3	56	60.2	56.8	61
OR 57X2,5	57	2.5	3.3	57	61.2	57.8	62
OR 58X2,5	58	2.5	3.3	58	62.2	58.8	63
OR 60X2,5	60	2.5	3.3	60	64.2	60.8	65
OR 62X2,5	62	2.5	3.3	62	66.2	62.8	67
OR 62X2,5	62	2.5	3.3	62	66.2	62.8	67
OR 63X2,5	63	2.5	3.3	63	67.2	63.8	68
OR 64X2,5	64	2.5	3.3	64	68.2	64.8	69
OR 65X2,5	65	2.5	3.3	65	69.2	65.8	70
OR 66X2,5	66	2.5	3.3	66	70.2	66.8	71
OR 67X2,5	67	2.5	3.3	67	71.2	67.8	72
OR 68X2,5	68	2.5	3.3	68	72.2	68.8	73
OR 69X2,5	69	2.5	3.3	69	73.2	69.8	74
OR 70X2,5	70	2.5	3.3	70	74.2	70.8	75
OR 71X2,5	71	2.5	3.3	71	75.2	71.8	76

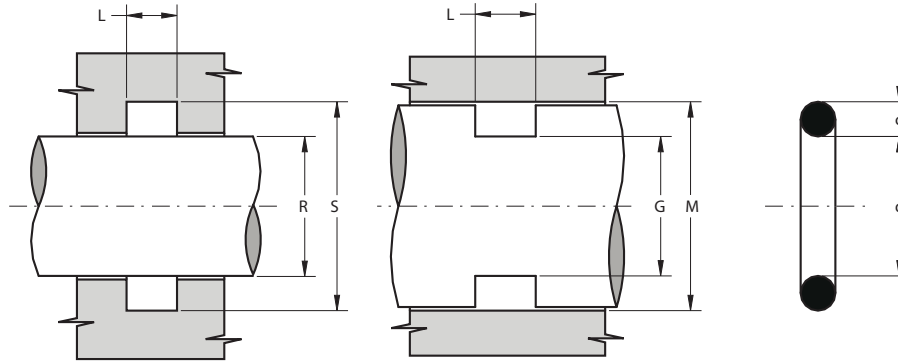
Cod. AS	d	c	L ^{+0.2}	R ^{f7}	S ^{H9}	G ^{h9}	M ^{H8}
OR 72X2,5	72	2.5	3.3	72	76.2	72.8	77
OR 73X2,5	73	2.5	3.3	73	77.2	73.8	78
OR 74X2,5	74	2.5	3.3	74	78.2	74.8	79
OR 75X2,5	75	2.5	3.3	75	79.2	75.8	80
OR 76X2,5	76	2.5	3.3	76	80.2	76.8	81
OR 78X2,5	78	2.5	3.3	78	82.2	78.8	83
OR 80X2,5	80	2.5	3.3	80	84.2	80.8	85
OR 85X2,5	85	2.5	3.3	85	89.2	85.8	90
OR 86X2,5	86	2.5	3.3	86	90.2	86.8	91
OR 87X2,5	87	2.5	3.3	87	91.2	87.8	92
OR 88X2,5	88	2.5	3.3	88	92.2	88.8	93
OR 89X2,5	89	2.5	3.3	89	93.2	89.8	94
OR 90X2,5	90	2.5	3.3	90	94.2	90.8	95
OR 92X2,5	92	2.5	3.3	92	96.2	92.8	97
OR 95X2,5	95	2.5	3.3	95	99.2	95.8	100
OR 96X2,5	96	2.5	3.3	96	100.2	96.8	101
OR 98X2,5	98	2.5	3.3	98	102.2	98.8	103
OR 102X2,5	102	2.5	3.3	102	106.2	102.8	107
OR 103X2,5	103	2.5	3.3	103	107.2	103.8	108
OR 105X2,5	105	2.5	3.3	105	109.2	105.8	110
OR 107X2,5	107	2.5	3.3	107	111.2	107.8	112
OR 108X2,5	108	2.5	3.3	108	112.2	108.8	113
OR 110X2,5	110	2.5	3.3	110	114.2	110.8	115
OR 111X2,5	111	2.5	3.3	111	115.2	111.8	116
OR 113X2,5	113	2.5	3.3	113	117.2	113.8	118
OR 115X2,5	115	2.5	3.3	115	119.2	115.8	120
OR 122X2,5	122	2.5	3.3	122	126.2	122.8	127
OR 124X2,5	124	2.5	3.3	124	128.2	124.8	129
OR 125X2,5	125	2.5	3.3	125	129.2	125.8	130



Cod. AS	d	c	L ^{+0.2}	R ^{f7}	S ^{H9}	G ^{h9}	M ^{H8}
OR 127X2,5	127	2.5	3.3	127	131.2	127.8	132
OR 128X2,5	128	2.5	3.3	128	132.2	128.8	133
OR 130X2,5	130	2.5	3.3	130	134.2	130.8	135
OR 135X2,5	135	2.5	3.3	135	139.2	135.8	140
OR 140X2,5	140	2.5	3.3	140	144.2	140.8	145
OR 145X2,5	145	2.5	3.3	145	149.2	145.8	150
OR 150X2,5	150	2.5	3.3	150	154.2	150.8	155
OR 160X2,5	160	2.5	3.3	160	164.2	160.8	165

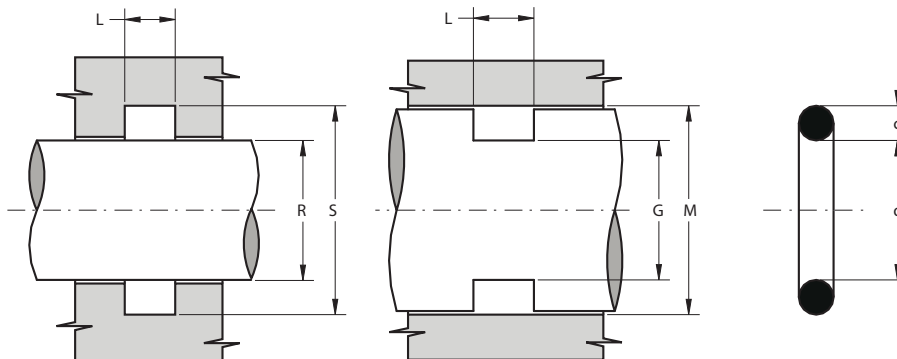
OR 3X3	3	3	4	3	8	4	9
OR 3,5X3	3.5	3	4	3.5	8.5	4.5	9.5
OR 4X3	4	3	4	4	9	5	10
OR 4,5X3	4.5	3	4	4.5	9.5	5.5	10.5
OR 5X3	5	3	4	5	10	6	11
OR 5,5X3	5.5	3	4	5.5	10.5	6.5	11.5
OR 6X3	6	3	4	6	11	7	12
OR 6,5X3	6.5	3	4	6.5	11.5	7.5	12.5
OR 7X3	7	3	4	7	12	8	13
OR 7,5X3	7.5	3	4	7.5	12.5	8.5	13.5
OR 8X3	8	3	4	8	13	9	14
OR 8,5X3	8.5	3	4	8.5	13.5	9.5	14.5
OR 9X3	9	3	4	9	14	10	15
OR 9,5X3	9.5	3	4	9.5	14.5	10.5	15.5
OR 10X3	10	3	4	10	15	11	16
OR 10,5X3	10.5	3	4	10	15	12	17
OR 11X3	11	3	4	11	16	12	17
OR 11,5X3	11.5	3	4	11	16	13	18
OR 12X3	12	3	4	12	17	13	18
OR 12,5X3	12.5	3	4	12	17	14	19

Cod. AS	d	c	L ^{+0.2}	R ^{f7}	S ^{H9}	G ^{h9}	M ^{H8}
OR 13X3	13	3	4	13	18	14	19
OR 13,5X3	13.5	3	4	13	18	15	20
OR 14X3	14	3	4	14	19	15	20
OR 14,5X3	14.5	3	4	14	19	16	21
OR 15X3	15	3	4	15	20	16	21
OR 15,5X3	15.5	3	4	15	20	17	22
OR 16X3	16	3	4	16	21	17	22
OR 16,5X3	16.5	3	4	16	21	18	23
OR 17X3	17	3	4	17	22	18	23
OR 17,5X3	17.5	3	4	17	22	19	24
OR 18X3	18	3	4	18	23	19	24
OR 18,5X3	18.5	3	4	18	23	20	25
OR 18,8X3	18.8	3	4	18	23	20	25
OR 19X3	19	3	4	19	24	20	25
OR 19,2X3	19.2	3	4	19	24	21	26
OR 19,5X3	19.5	3	4	19	24	21	26
OR 20X3	20	3	4	20	25	21	26
OR 20,5X3	20.5	3	4	20	25	22	27
OR 21X3	21	3	4	21	26	22	27
OR 21,5X3	21.5	3	4	21	26	23	28
OR 22X3	22	3	4	22	27	23	28
OR 22,2X3	22.2	3	4	22	27	24	29
OR 22,5X3	22.5	3	4	22	27	24	29
OR 23X3	23	3	4	23	28	24	29
OR 23,5X3	23.5	3	4	23	28	25	30
OR 24X3	24	3	4	24	29	25	30
OR 24,2X3	24.2	3	4	24	29	26	31
OR 24,5X3	24.5	3	4	24	29	26	31
OR 24,6X3	24.6	3	4	24	29	26	31



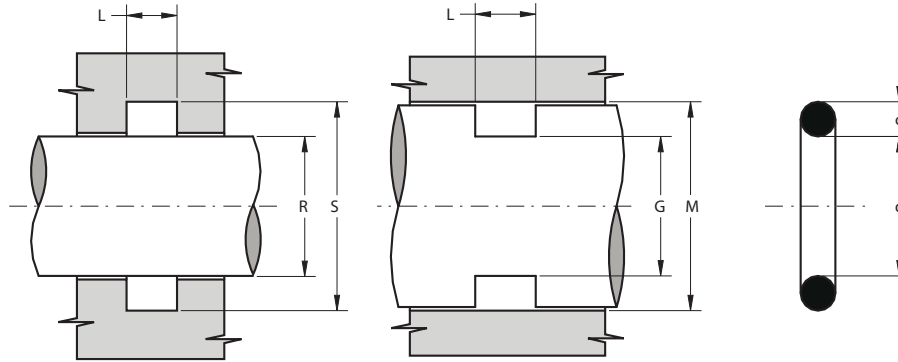
Cod. AS	d	c	L ^{+0.2}	R ^{f7}	S ^{H9}	G ^{h9}	M ^{H8}
OR 25X3	25	3	4	25	30	26	31
OR 25,5X3	25.5	3	4	25	30	27	32
OR 26X3	26	3	4	26	31	27	32
OR 26,2X3	26.2	3	4	26	31	28	33
OR 26,5X3	26.5	3	4	26	31	28	33
OR 27X3	27	3	4	27	32	28	33
OR 27,5X3	27.5	3	4	27	32	29	34
OR 27,5X3	27.5	3	4	27	32	29	34
OR 28X3	28	3	4	28	33	29	34
OR 28,5X3	28.5	3	4	28	33	30	35
OR 29X3	29	3	4	29	34	30	35
OR 29,2X3	29.2	3	4	29	34	31	36
OR 29,5X3	29.5	3	4	29	34	31	36
OR 30X3	30	3	4	30	35	31	36
OR 30,5X3	30.5	3	4	30	35	32	37
OR 31X3	31	3	4	31	36	32	37
OR 31,5X3	31.5	3	4	31	36	33	38
OR 32X3	32	3	4	32	37	33	38
OR 32,2X3	32.2	3	4	32	37	34	39
OR 32,5X3	32.5	3	4	32	37	34	39
OR 33X3	33	3	4	33	38	34	39
OR 33,5X3	33.5	3	4	33	38	35	40
OR 34X3	34	3	4	34	39	35	40
OR 34,2X3	34.2	3	4	34	39	36	41
OR 34,5X3	34.5	3	4	34	39	36	41
OR 35X3	35	3	4	35	40	36	41
OR 35,2X3	35.2	3	4	35	40	37	42
OR 35,5X3	35.5	3	4	35	40	37	42
OR 36X3	36	3	4	36	41	37	42

Cod. AS	d	c	L ^{+0.2}	R ^{f7}	S ^{H9}	G ^{h9}	M ^{H8}
OR 36,2X3	36.2	3	4	36	41	38	43
OR 36,5X3	36.5	3	4	36	41	38	43
OR 37X3	37	3	4	37	42	38	43
OR 37,47X3	37.47	3	4	37	42	39	44
OR 37,5X3	37.5	3	4	37	42	39	44
OR 38X3	38	3	4	38	43	39	44
OR 38,5X3	38.5	3	4	38	43	40	45
OR 39X3	39	3	4	39	44	40	45
OR 39,2X3	39.2	3	4	39	44	41	46
OR 39,5X3	39.5	3	4	39	44	41	46
OR 40X3	40	3	4	40	45	41	46
OR 41X3	41	3	4	41	46	42	47
OR 41,5X3	41.5	3	4	41	46	43	48
OR 42X3	42	3	4	42	47	43	48
OR 42,2X3	42.2	3	4	42	47	44	49
OR 42,5X3	42.5	3	4	42	47	44	49
OR 43X3	43	3	4	43	48	44	49
OR 43,69X3	43.69	3	4	43	48	45	50
OR 44X3	44	3	4	44	49	45	50
OR 44,2X3	44.2	3	4	44	49	46	51
OR 44,5X3	44.5	3	4	44	49	46	51
OR 45X3	45	3	4	45	50	46	51
OR 46X3	46	3	4	46	51	47	52
OR 47X3	47	3	4	47	52	48	53
OR 48X3	48	3	4	48	53	49	54
OR 49X3	49	3	4	49	54	50	55
OR 49,5X3	49.5	3	4	49	54	51	56
OR 50X3	50	3	4	50	55	51	56
OR 50,5X3	50.5	3	4	50	55	52	57



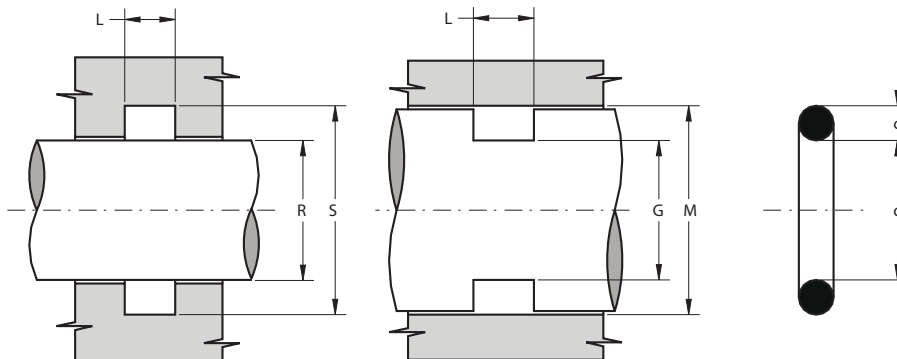
Cod. AS	d	c	L ^{+0.2}	R ^{f7}	S ^{H9}	G ^{h9}	M ^{H8}
OR 51X3	51	3	4	51	56	52	57
OR 52X3	52	3	4	52	57	53	58
OR 53X3	53	3	4	53	58	54	59
OR 53,09X3	53.09	3	4	53	58	55	60
OR 54X3	54	3	4	54	59	55	60
OR 54,5X3	54.5	3	4	54	59	56	61
OR 55X3	55	3	4	55	60	56	61
OR 56X3	56	3	4	56	61	57	62
OR 56,2X3	56.2	3	4	56	61	58	63
OR 57X3	57	3	4	57	62	58	63
OR 58X3	58	3	4	58	63	59	64
OR 59X3	59	3	4	59	64	60	65
OR 59,36X3	59.36	3	4	59	64	61	66
OR 59,5X3	59.5	3	4	59	64	61	66
OR 60X3	60	3	4	60	65	61	66
OR 61X3	61	3	4	61	66	62	67
OR 62X3	62	3	4	62	67	63	68
OR 63X3	63	3	4	63	68	64	69
OR 64X3	64	3	4	64	69	65	70
OR 64,5X3	64.5	3	4	64	69	66	71
OR 65X3	65	3	4	65	70	66	71
OR 66X3	66	3	4	66	71	67	72
OR 67X3	67	3	4	67	72	68	73
OR 68X3	68	3	4	68	73	69	74
OR 69X3	69	3	4	69	74	70	75
OR 69,5X3	69.5	3	4	69	74	71	76
OR 70X3	70	3	4	70	75	71	76
OR 71X3	71	3	4	71	76	72	77
OR 72X3	72	3	4	72	77	73	78

Cod. AS	d	c	L ^{+0.2}	R ^{f7}	S ^{H9}	G ^{h9}	M ^{H8}
OR 73X3	73	3	4	73	78	74	79
OR 74X3	74	3	4	74	79	75	80
OR 74,2X3	74.2	3	4	74	79	76	81
OR 74,5X3	74.5	3	4	74	79	76	81
OR 75X3	75	3	4	75	80	76	81
OR 76X3	76	3	4	76	81	77	82
OR 77X3	77	3	4	77	82	78	83
OR 78X3	78	3	4	78	83	79	84
OR 79X3	79	3	4	79	84	80	85
OR 79,2X3	79.2	3	4	79	84	81	86
OR 79,5X3	79.5	3	4	79	84	81	86
OR 80X3	80	3	4	80	85	81	86
OR 81X3	81	3	4	81	86	82	87
OR 82X3	82	3	4	82	87	83	88
OR 83X3	83	3	4	83	88	84	89
OR 84X3	84	3	4	84	89	85	90
OR 84,5X3	84.5	3	4	84	89	86	91
OR 85X3	85	3	4	85	90	86	91
OR 86X3	86	3	4	86	91	87	92
OR 87X3	87	3	4	87	92	88	93
OR 88X3	88	3	4	88	93	89	94
OR 89X3	89	3	4	89	94	90	95
OR 89,5X3	89.5	3	4	89	94	91	96
OR 90X3	90	3	4	90	95	91	96
OR 91X3	91	3	4	91	96	92	97
OR 92X3	92	3	4	92	97	93	98
OR 93X3	93	3	4	93	98	94	99
OR 94X3	94	3	4	94	99	95	100
OR 94,5X3	94.5	3	4	94	99	96	101



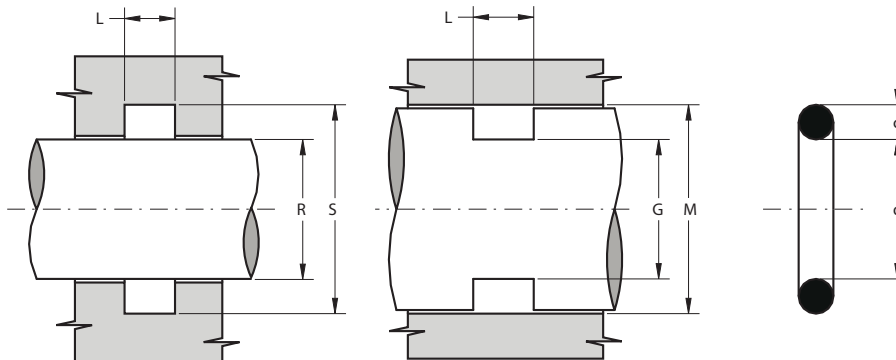
Cod. AS	d	c	L ^{+0.2}	R ^{f7}	S ^{H9}	G ^{h9}	M ^{H8}
OR 95X3	95	3	4	95	100	96	101
OR 96X3	96	3	4	96	101	97	102
OR 97X3	97	3	4	97	102	98	103
OR 98X3	98	3	4	98	103	99	104
OR 99X3	99	3	4	99	104	100	105
OR 99,5X3	99.5	3	4	99	104	101	106
OR 100X3	100	3	4	100	105	101	106
OR 102X3	102	3	4	102	107	103	108
OR 103X3	103	3	4	103	108	104	109
OR 104X3	104	3	4	104	109	105	110
OR 104,5X3	104.5	3	4	104	109	106	111
OR 105X3	105	3	4	105	110	106	111
OR 106X3	106	3	4	106	111	107	112
OR 108X3	108	3	4	108	113	109	114
OR 109X3	109	3	4	109	114	110	115
OR 109,5X3	109.5	3	4	109	114	111	116
OR 110X3	110	3	4	110	115	111	116
OR 112X3	112	3	4	112	117	113	118
OR 113X3	113	3	4	113	118	114	119
OR 114X3	114	3	4	114	119	115	120
OR 114,5X3	114.5	3	4	114	119	116	121
OR 115X3	115	3	4	115	120	116	121
OR 116X3	116	3	4	116	121	117	122
OR 118X3	118	3	4	118	123	119	124
OR 119X3	119	3	4	119	124	120	125
OR 119,5X3	119.5	3	4	119	124	121	126
OR 120X3	120	3	4	120	125	121	126
OR 122X3	122	3	4	122	127	123	128
OR 123X3	123	3	4	123	128	124	129

Cod. AS	d	c	L ^{+0.2}	R ^{f7}	S ^{H9}	G ^{h9}	M ^{H8}
OR 124X3	124	3	4	124	129	125	130
OR 124,5X3	124.5	3	4	124	129	126	131
OR 125X3	125	3	4	125	130	126	131
OR 126X3	126	3	4	126	131	127	132
OR 128X3	128	3	4	128	133	129	134
OR 129X3	129	3	4	129	134	130	135
OR 129,5X3	129.5	3	4	129	134	131	136
OR 130X3	130	3	4	130	135	131	136
OR 132X3	132	3	4	132	137	133	138
OR 134X3	134	3	4	134	139	135	140
OR 134,5X3	134.5	3	4	134	139	136	141
OR 135X3	135	3	4	135	140	136	141
OR 136X3	136	3	4	136	141	137	142
OR 137X3	137	3	4	137	142	138	143
OR 138X3	138	3	4	138	143	139	144
OR 139X3	139	3	4	139	144	140	145
OR 139,5X3	139.5	3	4	139	144	141	146
OR 140X3	140	3	4	140	145	141	146
OR 142X3	142	3	4	142	147	143	148
OR 143X3	143	3	4	143	148	144	149
OR 144X3	144	3	4	144	149	145	150
OR 144,5X3	144.5	3	4	144	149	146	151
OR 145X3	145	3	4	145	150	146	151
OR 147X3	147	3	4	147	152	148	153
OR 148X3	148	3	4	148	153	149	154
OR 149X3	149	3	4	149	154	150	155
OR 149,5X3	149.5	3	4	149	154	151	156
OR 150X3	150	3	4	150	155	151	156
OR 151X3	151	3	4	150	155	152	157



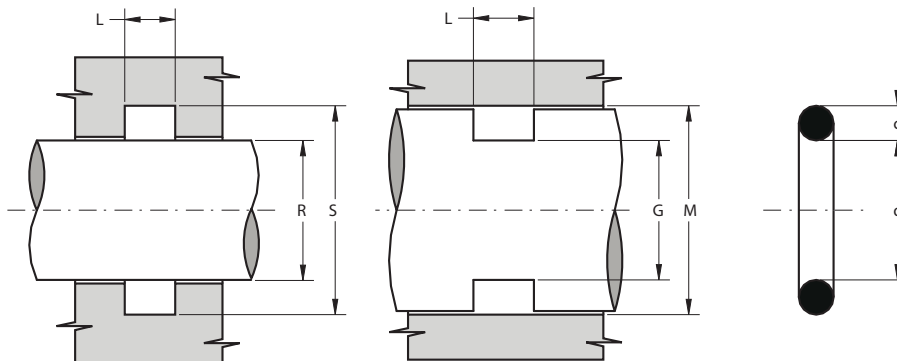
Cod. AS	d	c	L ^{+0.2}	R ^{f7}	S ^{H9}	G ^{h9}	M ^{H8}
OR 152X3	152	3	4	150	155	153	158
OR 154X3	154	3	4	150	155	155	160
OR 154,5X3	154.5	3	4	150	155	160	165
OR 160X3	160	3	4	160	165	165	170
OR 161X3	161	3	4	160	165	165	170
OR 164,5X3	164.5	3	4	160	165	170	175
OR 165X3	165	3	4	165	170	170	175
OR 168X3	168	3	4	165	170	170	175
OR 170X3	170	3	4	170	175	175	180
OR 174X3	174	3	4	170	175	175	180
OR 175X3	175	3	4	175	180	180	185
OR 178X3	178	3	4	175	180	180	185
OR 179X3	179	3	4	175	180	180	185
OR 184X3	184	3	4	180	185	185	190
OR 184,5X3	184.5	3	4	180	185	190	195
OR 190X3	190	3	4	190	195	195	200
OR 192X3	192	3	4	190	195	195	200
OR 194X3	194	3	4	190	195	195	200
OR 194,5X3	194.5	3	4	190	195	200	205
OR 197,5X3	197.5	3	4	195	200	200	205
OR 200X3	200	3	4	200	205	205	210
OR 206X3	206	3	4	205	210	210	215
OR 215X3	215	3	4	215	220	220	225
OR 220X3	220	3	4	220	225	225	230
OR 224X3	224	3	4	220	225	225	230
OR 228X3	228	3	4	225	230	230	235
OR 233X3	233	3	4	230	235	235	240
OR 235X3	235	3	4	235	240	240	245
OR 240X3	240	3	4	240	245	245	250

Cod. AS	d	c	L ^{+0.2}	R ^{f7}	S ^{H9}	G ^{h9}	M ^{H8}
OR 248X3	248	3	4	245	250	250	255
OR 251X3	251	3	4	250	255	255	260
OR 279X3	279	3	4	275	280	280	285
OR 280X3	280	3	4	280	285	285	290
OR 281X3	281	3	4	280	285	285	290
OR 285X3	285	3	4	285	290	290	295
OR 310X3	310	3	4	310	315	315	320
OR 340X3	340	3	4	340	345	345	350
OR 430X3	430	3	4	430	435	435	440
OR 450X3	450	3	4	450	455	455	460
OR 4X4	4	4	5.2	4	11	5	12
OR 5X4	5	4	5.2	5	12	6	13
OR 6X4	6	4	5.2	6	13	7	14
OR 7X4	7	4	5.2	7	14	8	15
OR 8X4	8	4	5.2	8	15	9	16
OR 9X4	9	4	5.2	9	16	10	17
OR 10X4	10	4	5.2	10	17	11	18
OR 11X4	11	4	5.2	11	18	12	19
OR 12X4	12	4	5.2	12	19	13	20
OR 13X4	13	4	5.2	13	20	14	21
OR 14X4	14	4	5.2	14	21	15	22
OR 15X4	15	4	5.2	15	22	16	23
OR 16X4	16	4	5.2	16	23	17	24
OR 17X4	17	4	5.2	17	24	18	25
OR 18X4	18	4	5.2	18	25	19	26
OR 19X4	19	4	5.2	19	26	20	27
OR 20X4	20	4	5.2	20	27	21	28
OR 21X4	21	4	5.2	21	28	22	29



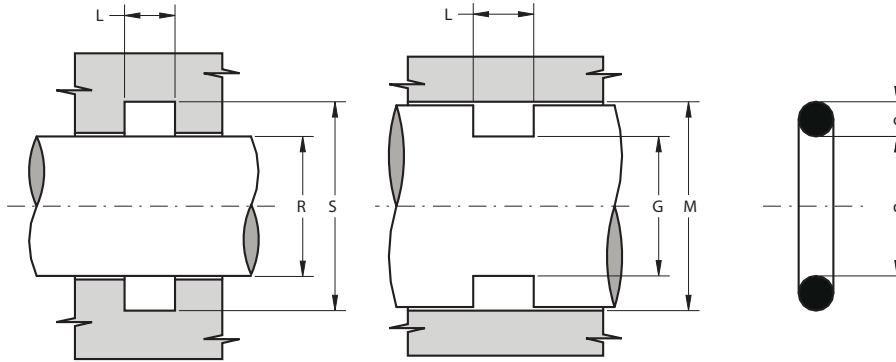
Cod. AS	d	c	L ^{+0.2}	R ^{f7}	S ^{H9}	G ^{h9}	M ^{H8}
OR 22X4	22	4	5.2	22	29	23	30
OR 23X4	23	4	5.2	23	30	24	31
OR 24X4	24	4	5.2	24	31	25	32
OR 25X4	25	4	5.2	25	32	26	33
OR 26X4	26	4	5.2	26	33	27	34
OR 27X4	27	4	5.2	27	34	28	35
OR 28X4	28	4	5.2	28	35	29	36
OR 29X4	29	4	5.2	29	36	30	37
OR 30X4	30	4	5.2	30	37	31	38
OR 31X4	31	4	5.2	31	38	32	39
OR 32X4	32	4	5.2	32	39	33	40
OR 33X4	33	4	5.2	33	40	34	41
OR 33,5X4	33.5	4	5.2	33	40	35	42
OR 34X4	34	4	5.2	34	41	35	42
OR 35X4	35	4	5.2	35	42	36	43
OR 36X4	36	4	5.2	36	43	37	44
OR 37X4	37	4	5.2	37	44	38	45
OR 38X4	38	4	5.2	38	45	39	46
OR 39X4	39	4	5.2	39	46	40	47
OR 40X4	40	4	5.2	40	47	41	48
OR 41X4	41	4	5.2	41	48	42	49
OR 42X4	42	4	5.2	42	49	43	50
OR 43X4	43	4	5.2	43	50	44	51
OR 44X4	44	4	5.2	44	51	45	52
OR 45X4	45	4	5.2	45	52	46	53
OR 46X4	46	4	5.2	46	53	47	54
OR 47X4	47	4	5.2	47	54	48	55
OR 48X4	48	4	5.2	48	55	49	56
OR 49X4	49	4	5.2	49	56	50	57

Cod. AS	d	c	L ^{+0.2}	R ^{f7}	S ^{H9}	G ^{h9}	M ^{H8}
OR 50X4	50	4	5.2	50	57	51	58
OR 51X4	51	4	5.2	51	58	52	59
OR 52X4	52	4	5.2	52	59	53	60
OR 53X4	53	4	5.2	53	60	54	61
OR 54X4	54	4	5.2	54	61	55	62
OR 55X4	55	4	5.2	55	62	56	63
OR 56X4	56	4	5.2	56	63	57	64
OR 57X4	57	4	5.2	57	64	58	65
OR 58X4	58	4	5.2	58	65	59	66
OR 59X4	59	4	5.2	59	66	60	67
OR 60X4	60	4	5.2	60	67	61	68
OR 61X4	61	4	5.2	61	68	62	69
OR 62X4	62	4	5.2	62	69	63	70
OR 63X4	63	4	5.2	63	70	64	71
OR 64X4	64	4	5.2	64	71	65	72
OR 65X4	65	4	5.2	65	72	66	73
OR 66X4	66	4	5.2	66	73	67	74
OR 67,5X4	67.5	4	5.2	67	74	69	76
OR 68X4	68	4	5.2	68	75	69	76
OR 69X4	69	4	5.2	69	76	70	77
OR 70X4	70	4	5.2	70	77	71	78
OR 71X4	71	4	5.2	71	78	72	79
OR 72X4	72	4	5.2	72	79	73	80
OR 72,5X4	72.5	4	5.2	72	79	74	81
OR 73X4	73	4	5.2	73	80	74	81
OR 74X4	74	4	5.2	74	81	75	82
OR 75X4	75	4	5.2	75	82	76	83
OR 76X4	76	4	5.2	76	83	77	84
OR 77X4	77	4	5.2	77	84	78	85



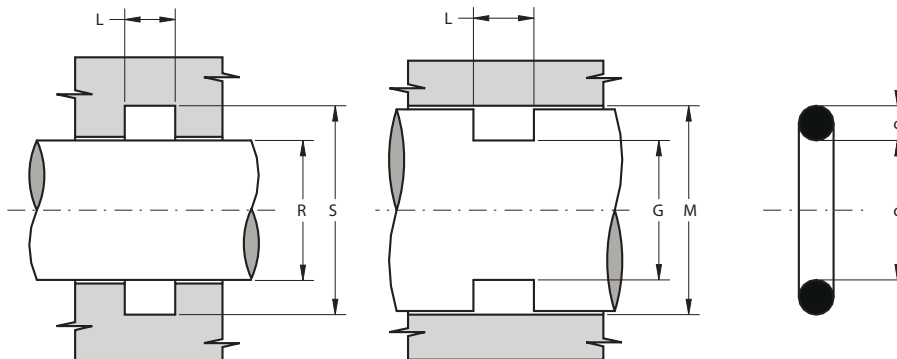
Cod. AS	d	c	L ^{+0.2}	R ^{f7}	S ^{H9}	G ^{h9}	M ^{H8}
OR 78X4	78	4	5.2	78	85	79	86
OR 79X4	79	4	5.2	79	86	80	87
OR 80X4	80	4	5.2	80	87	81	88
OR 81X4	81	4	5.2	81	88	82	89
OR 82X4	82	4	5.2	82	89	83	90
OR 83X4	83	4	5.2	83	90	84	91
OR 84X4	84	4	5.2	84	91	85	92
OR 85X4	85	4	5.2	85	92	86	93
OR 86X4	86	4	5.2	86	93	87	94
OR 87X4	87	4	5.2	87	94	88	95
OR 88X4	88	4	5.2	88	95	89	96
OR 89X4	89	4	5.2	89	96	90	97
OR 90X4	90	4	5.2	90	97	91	98
OR 91X4	91	4	5.2	91	98	92	99
OR 92X4	92	4	5.2	92	99	93	100
OR 93X4	93	4	5.2	93	100	94	101
OR 94X4	94	4	5.2	94	101	95	102
OR 95X4	95	4	5.2	95	102	96	103
OR 96X4	96	4	5.2	96	103	97	104
OR 97X4	97	4	5.2	97	104	98	105
OR 98X4	98	4	5.2	98	105	99	106
OR 99X4	99	4	5.2	99	106	100	107
OR 100X4	100	4	5.2	100	107	101	108
OR 102X4	102	4	5.2	102	109	103	110
OR 103X4	103	4	5.2	103	110	104	111
OR 104X4	104	4	5.2	104	111	105	112
OR 105X4	105	4	5.2	105	112	106	113
OR 106X4	106	4	5.2	106	113	107	114
OR 108X4	108	4	5.2	108	115	109	116

Cod. AS	d	c	L ^{+0.2}	R ^{f7}	S ^{H9}	G ^{h9}	M ^{H8}
OR 109X4	109	4	5.2	109	116	110	117
OR 110X4	110	4	5.2	110	117	111	118
OR 112X4	112	4	5.2	112	119	113	120
OR 114X4	114	4	5.2	114	121	115	122
OR 115X4	115	4	5.2	115	122	116	123
OR 117X4	117	4	5.2	117	124	118	125
OR 118X4	118	4	5.2	118	125	119	126
OR 119X4	119	4	5.2	119	126	120	127
OR 120X4	120	4	5.2	120	127	121	128
OR 122X4	122	4	5.2	122	129	123	130
OR 124X4	124	4	5.2	124	131	125	132
OR 125X4	125	4	5.2	125	132	126	133
OR 126X4	126	4	5.2	126	133	127	134
OR 127X4	127	4	5.2	127	134	128	135
OR 128X4	128	4	5.2	128	135	129	136
OR 129X4	129	4	5.2	129	136	130	137
OR 130X4	130	4	5.2	130	137	131	138
OR 131X4	131	4	5.2	131	138	132	139
OR 132X4	132	4	5.2	132	139	133	140
OR 133X4	133	4	5.2	133	140	134	141
OR 134X4	134	4	5.2	134	141	135	142
OR 135X4	135	4	5.2	135	142	136	143
OR 139X4	139	4	5.2	139	146	140	147
OR 140X4	140	4	5.2	140	147	141	148
OR 143X4	143	4	5.2	143	150	144	151
OR 144X4	144	4	5.2	144	151	145	152
OR 145X4	145	4	5.2	145	152	146	153
OR 146X4	146	4	5.2	146	153	147	154
OR 150X4	150	4	5.2	150	157	151	158



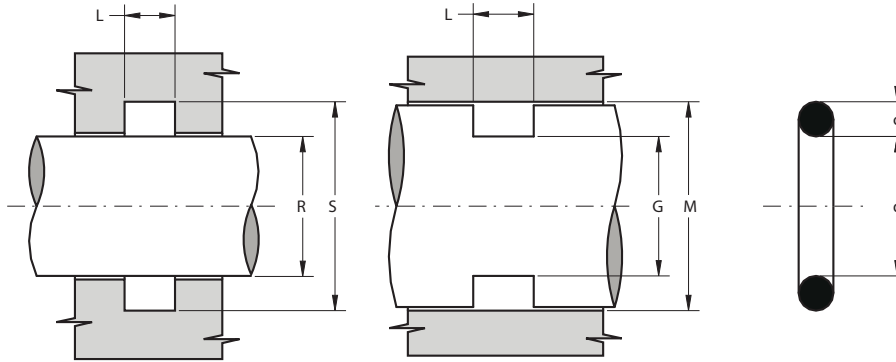
Cod. AS	d	c	L ^{+0.2}	R ^{f7}	S ^{H9}	G ^{h9}	M ^{H8}
OR 152X4	152	4	5.2	150	157	153	160
OR 158X4	158	4	5.2	155	162	163	170
OR 158,4X4	158.4	4	5.2	155	162	163	170
OR 160X4	160	4	5.2	160	167	163	170
OR 163X4	163	4	5.2	160	167	168	175
OR 165X4	165	4	5.2	165	172	168	175
OR 168X4	168	4	5.2	165	172	173	180
OR 170X4	170	4	5.2	170	177	173	180
OR 172X4	172	4	5.2	170	177	173	180
OR 173X4	173	4	5.2	170	177	178	185
OR 180X4	180	4	5.2	180	187	183	190
OR 188X4	188	4	5.2	185	192	193	200
OR 190X4	190	4	5.2	190	197	193	200
OR 192X4	192	4	5.2	190	197	193	200
OR 194X4	194	4	5.2	190	197	198	205
OR 205X4	205	4	5.2	205	212	208	215
OR 208X4	208	4	5.2	205	212	213	220
OR 210X4	210	4	5.2	210	217	213	220
OR 220X4	220	4	5.2	220	227	223	230
OR 225X4	225	4	5.2	225	232	228	235
OR 250X4	250	4	5.2	250	257	253	260
OR 255X4	255	4	5.2	255	262	258	265
OR 260X4	260	4	5.2	260	267	263	270
OR 262X4	262	4	5.2	260	267	263	270
OR 270X4	270	4	5.2	270	277	273	280
OR 293X4	293	4	5.2	290	297	298	305
OR 295X4	295	4	5.2	295	302	298	305
OR 296X4	296	4	5.2	295	302	298	305
OR 297X4	297	4	5.2	295	302	298	305

Cod. AS	d	c	L ^{+0.2}	R ^{f7}	S ^{H9}	G ^{h9}	M ^{H8}
OR 323X4	323	4	5.2	320	327	328	335
OR 335X4	335	4	5.2	335	342	338	345
OR 355X4	355	4	5.2	355	362	358	365
OR 15X4,5	15	4.5	5.8	15	22.8	16.2	24
OR 16X4,5	16	4.5	5.8	16	23.8	17.2	25
OR 20X4,5	20	4.5	5.8	20	27.8	21.2	29
OR 22X4,5	22	4.5	5.8	22	29.8	23.2	31
OR 23X4,5	23	4.5	5.8	23	30.8	24.2	32
OR 25X4,5	25	4.5	5.8	25	32.8	26.2	34
OR 27X4,5	27	4.5	5.8	27	34.8	28.2	36
OR 30X4,5	30	4.5	5.8	30	37.8	31.2	39
OR 31X4,5	31	4.5	5.8	31	38.8	32.2	40
OR 36X4,5	36	4.5	5.8	36	43.8	37.2	45
OR 57X4,5	57	4.5	5.8	57	64.8	58.2	66
OR 60X4,5	60	4.5	5.8	60	67.8	61.2	69
OR 70X4,5	70	4.5	5.8	70	77.8	71.2	79
OR 89X4,5	89	4.5	5.8	89	96.8	90.2	98
OR 150X4,5	150	4.5	5.8	150	157.8	151.2	159
OR 6X5	6	5	6.6	6	14.7	7.3	16
OR 8X5	8	5	6.6	8	16.7	9.3	18
OR 9X5	9	5	6.6	9	17.7	10.3	19
OR 10X5	10	5	6.6	10	18.7	11.3	20
OR 11X5	11	5	6.6	11	19.7	12.3	21
OR 12X5	12	5	6.6	12	20.7	13.3	22
OR 13X5	13	5	6.6	13	21.7	14.3	23
OR 14X5	14	5	6.6	14	22.7	15.3	24
OR 15X5	15	5	6.6	15	23.7	16.3	25



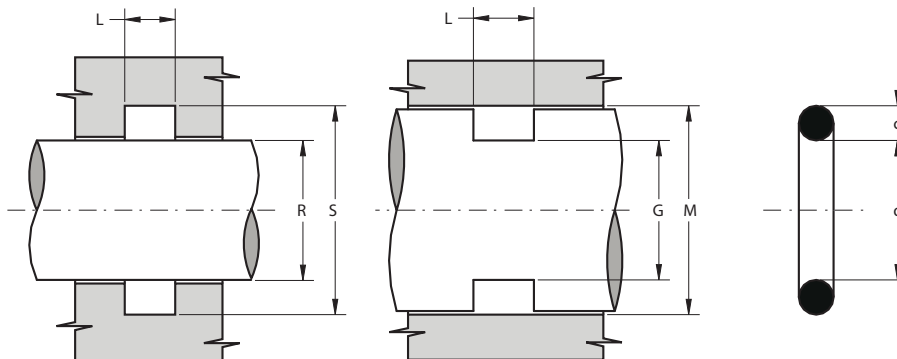
Cod. AS	d	c	L ^{+0.2}	R ^{f7}	S ^{H9}	G ^{h9}	M ^{H8}
OR 16X5	16	5	6.6	16	24.7	17.3	26
OR 17X5	17	5	6.6	17	25.7	18.3	27
OR 18X5	18	5	6.6	18	26.7	19.3	28
OR 19X5	19	5	6.6	19	27.7	20.3	29
OR 20X5	20	5	6.6	20	28.7	21.3	30
OR 21X5	21	5	6.6	21	29.7	22.3	31
OR 22X5	22	5	6.6	22	30.7	23.3	32
OR 23X5	23	5	6.6	23	31.7	24.3	33
OR 24X5	24	5	6.6	24	32.7	25.3	34
OR 25X5	25	5	6.6	25	33.7	26.3	35
OR 26X5	26	5	6.6	26	34.7	27.3	36
OR 27X5	27	5	6.6	27	35.7	28.3	37
OR 28X5	28	5	6.6	28	36.7	29.3	38
OR 29X5	29	5	6.6	29	37.7	30.3	39
OR 30X5	30	5	6.6	30	38.7	31.3	40
OR 31X5	31	5	6.6	31	39.7	32.3	41
OR 32X5	32	5	6.6	32	40.7	33.3	42
OR 33X5	33	5	6.6	33	41.7	34.3	43
OR 34X5	34	5	6.6	34	42.7	35.3	44
OR 35X5	35	5	6.6	35	43.7	36.3	45
OR 36X5	36	5	6.6	36	44.7	37.3	46
OR 37X5	37	5	6.6	37	45.7	38.3	47
OR 38X5	38	5	6.6	38	46.7	39.3	48
OR 39X5	39	5	6.6	39	47.7	40.3	49
OR 40X5	40	5	6.6	40	48.7	41.3	50
OR 41X5	41	5	6.6	41	49.7	42.3	51
OR 42X5	42	5	6.6	42	50.7	43.3	52
OR 43X5	43	5	6.6	43	51.7	44.3	53
OR 44X5	44	5	6.6	44	52.7	45.3	54

Cod. AS	d	c	L ^{+0.2}	R ^{f7}	S ^{H9}	G ^{h9}	M ^{H8}
OR 45X5	45	5	6.6	45	53.7	46.3	55
OR 46X5	46	5	6.6	46	54.7	47.3	56
OR 47X5	47	5	6.6	47	55.7	48.3	57
OR 48X5	48	5	6.6	48	56.7	49.3	58
OR 50X5	50	5	6.6	50	58.7	51.3	60
OR 51X5	51	5	6.6	51	59.7	52.3	61
OR 52X5	52	5	6.6	52	60.7	53.3	62
OR 53X5	53	5	6.6	53	61.7	54.3	63
OR 54X5	54	5	6.6	54	62.7	55.3	64
OR 55X5	55	5	6.6	55	63.7	56.3	65
OR 57X5	57	5	6.6	57	65.7	58.3	67
OR 58X5	58	5	6.6	58	66.7	59.3	68
OR 59X5	59	5	6.6	59	67.7	60.3	69
OR 60X5	60	5	6.6	60	68.7	61.3	70
OR 61X5	61	5	6.6	61	69.7	62.3	71
OR 62X5	62	5	6.6	62	70.7	63.3	72
OR 63X5	63	5	6.6	63	71.7	64.3	73
OR 65X5	65	5	6.6	65	73.7	66.3	75
OR 66X5	66	5	6.6	66	74.7	67.3	76
OR 67X5	67	5	6.6	67	75.7	68.3	77
OR 68X5	68	5	6.6	68	76.7	69.3	78
OR 70X5	70	5	6.6	70	78.7	71.3	80
OR 71X5	71	5	6.6	71	79.7	72.3	81
OR 72X5	72	5	6.6	72	80.7	73.3	82
OR 74X5	74	5	6.6	74	82.7	75.3	84
OR 75X5	75	5	6.6	75	83.7	76.3	85
OR 76X5	76	5	6.6	76	84.7	77.3	86
OR 77X5	77	5	6.6	77	85.7	78.3	87
OR 78X5	78	5	6.6	78	86.7	79.3	88



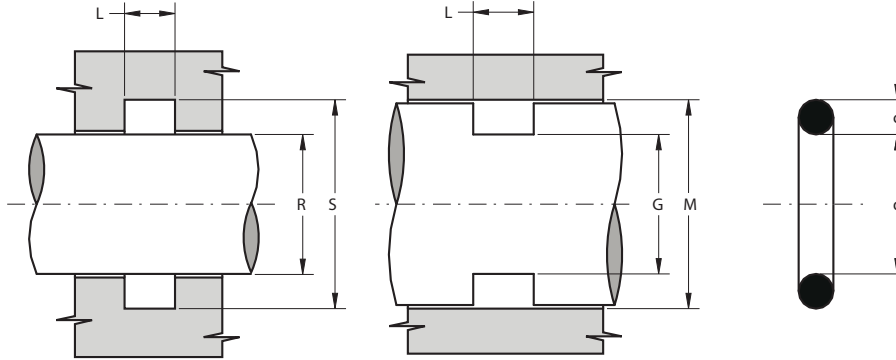
Cod. AS	d	c	L ^{+0.2}	R ^{f7}	S ^{H9}	G ^{h9}	M ^{H8}
OR 79X5	79	5	6.6	79	87.7	80.3	89
OR 80X5	80	5	6.6	80	88.7	81.3	90
OR 84X5	84	5	6.6	84	92.7	85.3	94
OR 85X5	85	5	6.6	85	93.7	86.3	95
OR 86X5	86	5	6.6	86	94.7	87.3	96
OR 87X5	87	5	6.6	87	95.7	88.3	97
OR 88X5	88	5	6.6	88	96.7	89.3	98
OR 90X5	90	5	6.6	90	98.7	91.3	100
OR 91X5	91	5	6.6	91	99.7	92.3	101
OR 93X5	93	5	6.6	93	101.7	94.3	103
OR 95X5	95	5	6.6	95	103.7	96.3	105
OR 96X5	96	5	6.6	96	104.7	97.3	106
OR 97X5	97	5	6.6	97	105.7	98.3	107
OR 98X5	98	5	6.6	98	106.7	99.3	108
OR 100X5	100	5	6.6	100	108.7	101.3	110
OR 105X5	105	5	6.6	105	113.7	106.3	115
OR 112X5	112	5	6.6	112	120.7	113.3	122
OR 115X5	115	5	6.6	115	123.7	116.3	125
OR 116X5	116	5	6.6	116	124.7	117.3	126
OR 118X5	118	5	6.6	118	126.7	119.3	128
OR 120X5	120	5	6.6	120	128.7	121.3	130
OR 122X5	122	5	6.6	122	130.7	123.3	132
OR 125X5	125	5	6.6	125	133.7	126.3	135
OR 132X5	132	5	6.6	132	140.7	133.3	142
OR 135X5	135	5	6.6	135	143.7	136.3	145
OR 140X5	140	5	6.6	140	148.7	141.3	150
OR 145X5	145	5	6.6	145	153.7	146.3	155
OR 148X5	148	5	6.6	148	156.7	149.3	158
OR 160X5	160	5	6.6	160	168.7	161.3	170

Cod. AS	d	c	L ^{+0.2}	R ^{f7}	S ^{H9}	G ^{h9}	M ^{H8}
OR 164X5	164	5	6.6	160	168.7	166.3	175
OR 165X5	165	5	6.6	165	173.7	166.3	175
OR 170X5	170	5	6.6	170	178.7	171.3	180
OR 175X5	175	5	6.6	175	183.7	176.3	185
OR 180X5	180	5	6.6	180	188.7	181.3	190
OR 182X5	182	5	6.6	180	188.7	186.3	195
OR 185X5	185	5	6.6	185	193.7	186.3	195
OR 190X5	190	5	6.6	190	198.7	191.3	200
OR 196X5	196	5	6.6	195	203.7	201.3	210
OR 204X5	204	5	6.6	200	208.7	206.3	215
OR 205X5	205	5	6.6	205	213.7	206.3	215
OR 210X5	210	5	6.6	210	218.7	211.3	220
OR 215X5	215	5	6.6	215	223.7	216.3	225
OR 220X5	220	5	6.6	220	228.7	221.3	230
OR 225X5	225	5	6.6	225	233.7	226.3	235
OR 230X5	230	5	6.6	230	238.7	231.3	240
OR 234X5	234	5	6.6	230	238.7	236.3	245
OR 240X5	240	5	6.6	240	248.7	241.3	250
OR 245X5	245	5	6.6	245	253.7	246.3	255
OR 250X5	250	5	6.6	250	258.7	251.3	260
OR 255X5	255	5	6.6	255	263.7	256.3	265
OR 260X5	260	5	6.6	260	268.7	261.3	270
OR 270X5	270	5	6.6	270	278.7	271.3	280
OR 280X5	280	5	6.6	280	288.7	281.3	290
OR 290X5	290	5	6.6	290	298.7	291.3	300
OR 295X5	295	5	6.6	295	303.7	296.3	305
OR 307X5	307	5	6.6	305	313.7	311.3	320
OR 310X5	310	5	6.6	310	318.7	311.3	320
OR 315X5	315	5	6.6	315	323.7	316.3	325



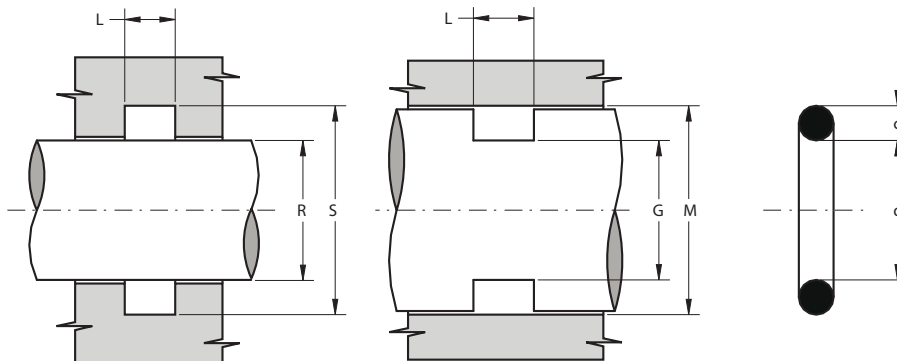
Cod. AS	d	c	L ^{+0.2}	R ^{f7}	S ^{H9}	G ^{h9}	M ^{H8}
OR 350X5	350	5	6.6	350	358.7	351.3	360
OR 520X5	520	5	6.6	520	528.7	521.3	530
OR 41,2X5,7	41.2	5.7	7.2	41	51	43	53
OR 44,2X5,7	44.2	5.7	7.2	44	54	46	56
OR 44,3X5,7	44.3	5.7	7.2	44	54	46	56
OR 45,3X5,7	45.3	5.7	7.2	45	55	47	57
OR 49,2X5,7	49.2	5.7	7.2	49	59	51	61
OR 52,3X5,7	52.3	5.7	7.2	52	62	54	64
OR 52,5X5,7	52.5	5.7	7.2	52	62	54	64
OR 54,2X5,7	54.2	5.7	7.2	54	64	56	66
OR 54,3X5,7	54.3	5.7	7.2	54	64	56	66
OR 55,3X5,7	55.3	5.7	7.2	55	65	57	67
OR 57,2X5,7	57.2	5.7	7.2	57	67	59	69
OR 59,2X5,7	59.2	5.7	7.2	59	69	61	71
OR 59,7X5,7	59.7	5.7	7.2	59	69	62	72
OR 62,3X5,7	62.3	5.7	7.2	62	72	64	74
OR 64,2X5,7	64.2	5.7	7.2	64	74	66	76
OR 64,3X5,7	64.3	5.7	7.2	64	74	66	76
OR 69X5,7	69	5.7	7.2	69	79	71	81
OR 69,2X5,7	69.2	5.7	7.2	69	79	71	81
OR 69,3X5,7	69.3	5.7	7.2	69	79	71	81
OR 74,3X5,7	74.3	5.7	7.2	74	84	76	86
OR 79X5,7	79	5.7	7.2	79	89	81	91
OR 79,3X5,7	79.3	5.7	7.2	79	89	81	91
OR 84,3X5,7	84.3	5.7	7.2	84	94	86	96
OR 89X5,7	89	5.7	7.2	89	99	91	101
OR 89,1X5,7	89.1	5.7	7.2	89	99	91	101
OR 89,3X5,7	89.3	5.7	7.2	89	99	91	101

Cod. AS	d	c	L ^{+0.2}	R ^{f7}	S ^{H9}	G ^{h9}	M ^{H8}
OR 94,3X5,7	94.3	5.7	7.2	94	104	96	106
OR 99X5,7	99	5.7	7.2	99	109	101	111
OR 99,3X5,7	99.3	5.7	7.2	99	109	101	111
OR 104X5,7	104	5.7	7.2	104	114	106	116
OR 104,3X5,7	104.3	5.7	7.2	104	114	106	116
OR 109X5,7	109	5.7	7.2	109	119	111	121
OR 109,3X5,7	109.3	5.7	7.2	109	119	111	121
OR 114,3X5,7	114.3	5.7	7.2	114	124	116	126
OR 119X5,7	119	5.7	7.2	119	129	121	131
OR 119,3X5,7	119.3	5.7	7.2	119	129	121	131
OR 124X5,7	124	5.7	7.2	124	134	126	136
OR 124,3X5,7	124.3	5.7	7.2	124	134	126	136
OR 129X5,7	129	5.7	7.2	129	139	131	141
OR 129,3X5,7	129.3	5.7	7.2	129	139	131	141
OR 134,3X5,7	134.3	5.7	7.2	134	144	136	146
OR 139,3X5,7	139.3	5.7	7.2	139	149	141	151
OR 139,5X5,7	139.5	5.7	7.2	139	149	141	151
OR 144,3X5,7	144.3	5.7	7.2	144	154	146	156
OR 149,3X5,7	149.3	5.7	7.2	149	159	151	161
OR 154,3X5,7	154.3	5.7	7.2	150	160	160	170
OR 159,3X5,7	159.3	5.7	7.2	155	165	165	175
OR 164,3X5,7	164.3	5.7	7.2	160	170	170	180
OR 169,3X5,7	169.3	5.7	7.2	165	175	175	185
OR 174,3X5,7	174.3	5.7	7.2	170	180	180	190
OR 179,3X5,7	179.3	5.7	7.2	175	185	185	195
OR 184,3X5,7	184.3	5.7	7.2	180	190	190	200
OR 189,3X5,7	189.3	5.7	7.2	185	195	195	205
OR 194,3X5,7	194.3	5.7	7.2	190	200	200	210
OR 199,3X5,7	199.3	5.7	7.2	195	205	205	215



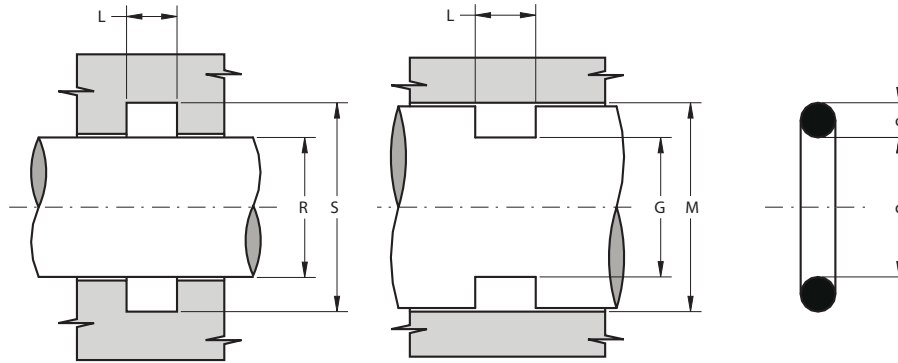
Cod. AS	d	c	L ^{+0.2}	R ^{f7}	S ^{H9}	G ^{h9}	M ^{H8}
OR 209,3X5,7	209.3	5.7	7.2	205	215	215	225
OR 219,3X5,7	219.3	5.7	7.2	215	225	225	235
OR 229,3X5,7	229.3	5.7	7.2	225	235	235	245
OR 230X5,7	230	5.7	7.2	230	240	235	245
OR 239,3X5,7	239.3	5.7	7.2	235	245	245	255
OR 249,3X5,7	249.3	5.7	7.2	245	255	255	265
OR 259,3X5,7	259.3	5.7	7.2	255	265	265	275
OR 269,3X5,7	269.3	5.7	7.2	265	275	275	285
OR 279,3X5,7	279.3	5.7	7.2	275	285	285	295
OR 289,3X5,7	289.3	5.7	7.2	285	295	295	305
OR 299,3X5,7	299.3	5.7	7.2	295	305	305	315
OR 319,3X5,7	319.3	5.7	7.2	315	325	325	335
OR 329,3X5,7	329.3	5.7	7.2	325	335	335	345
OR 339,3X5,7	339.3	5.7	7.2	335	345	345	355
OR 359,3X5,7	359.3	5.7	7.2	355	365	365	375
OR 379,3X5,7	379.3	5.7	7.2	375	385	385	395
OR 399,3X5,7	399.3	5.7	7.2	395	405	405	415
OR 419,3X5,7	419.3	5.7	7.2	415	425	425	435
OR 439,3X5,7	439.3	5.7	7.2	435	445	445	455
OR 499,3X5,7	499.3	5.7	7.2	495	505	505	515
OR 10X6	10	6	7.4	10	20.5	11.5	22
OR 11X6	11	6	7.4	11	21.5	12.5	23
OR 12X6	12	6	7.4	12	22.5	13.5	24
OR 13X6	13	6	7.4	13	23.5	14.5	25
OR 16X6	16	6	7.4	16	26.5	17.5	28
OR 18X6	18	6	7.4	18	28.5	19.5	30
OR 20X6	20	6	7.4	20	30.5	21.5	32
OR 21X6	21	6	7.4	21	31.5	22.5	33

Cod. AS	d	c	L ^{+0.2}	R ^{f7}	S ^{H9}	G ^{h9}	M ^{H8}
OR 23X6	23	6	7.4	23	33.5	24.5	35
OR 24X6	24	6	7.4	24	34.5	25.5	36
OR 25X6	25	6	7.4	25	35.5	26.5	37
OR 26X6	26	6	7.4	26	36.5	27.5	38
OR 27X6	27	6	7.4	27	37.5	28.5	39
OR 28X6	28	6	7.4	28	38.5	29.5	40
OR 30X6	30	6	7.4	30	40.5	31.5	42
OR 32X6	32	6	7.4	32	42.5	33.5	44
OR 34X6	34	6	7.4	34	44.5	35.5	46
OR 36X6	36	6	7.4	36	46.5	37.5	48
OR 38X6	38	6	7.4	38	48.5	39.5	50
OR 40X6	40	6	7.4	40	50.5	41.5	52
OR 41X6	41	6	7.4	41	51.5	42.5	53
OR 43X6	43	6	7.4	43	53.5	44.5	55
OR 45X6	45	6	7.4	45	55.5	46.5	57
OR 46X6	46	6	7.4	46	56.5	47.5	58
OR 47X6	47	6	7.4	47	57.5	48.5	59
OR 48X6	48	6	7.4	48	58.5	49.5	60
OR 50X6	50	6	7.4	50	60.5	51.5	62
OR 51X6	51	6	7.4	51	61.5	52.5	63
OR 52X6	52	6	7.4	52	62.5	53.5	64
OR 53X6	53	6	7.4	53	63.5	54.5	65
OR 55X6	55	6	7.4	55	65.5	56.5	67
OR 58X6	58	6	7.4	58	68.5	59.5	70
OR 59X6	59	6	7.4	59	69.5	60.5	71
OR 59,5X6	59.5	6	7.4	59	69.5	61.5	72
OR 60X6	60	6	7.4	60	70.5	61.5	72
OR 63X6	63	6	7.4	63	73.5	64.5	75
OR 65X6	65	6	7.4	65	75.5	66.5	77



Cod. AS	d	c	L ^{+0.2}	R ^{f7}	S ^{H9}	G ^{h9}	M ^{H8}
OR 68X6	68	6	7.4	68	78.5	69.5	80
OR 73X6	73	6	7.4	73	83.5	74.5	85
OR 74X6	74	6	7.4	74	84.5	75.5	86
OR 75X6	75	6	7.4	75	85.5	76.5	87
OR 76X6	76	6	7.4	76	86.5	77.5	88
OR 78X6	78	6	7.4	78	88.5	79.5	90
OR 79X6	79	6	7.4	79	89.5	80.5	91
OR 80X6	80	6	7.4	80	90.5	81.5	92
OR 84X6	84	6	7.4	84	94.5	85.5	96
OR 85X6	85	6	7.4	85	95.5	86.5	97
OR 86X6	86	6	7.4	86	96.5	87.5	98
OR 88X6	88	6	7.4	88	98.5	89.5	100
OR 90X6	90	6	7.4	90	100.5	91.5	102
OR 94X6	94	6	7.4	94	104.5	95.5	106
OR 95X6	95	6	7.4	95	105.5	96.5	107
OR 98X6	98	6	7.4	98	108.5	99.5	110
OR 100X6	100	6	7.4	100	110.5	101.5	112
OR 101X6	101	6	7.4	101	111.5	102.5	113
OR 105X6	105	6	7.4	105	115.5	106.5	117
OR 106X6	106	6	7.4	106	116.5	107.5	118
OR 108X6	108	6	7.4	108	118.5	109.5	120
OR 110X6	110	6	7.4	110	120.5	111.5	122
OR 115X6	115	6	7.4	115	125.5	116.5	127
OR 118X6	118	6	7.4	118	128.5	119.5	130
OR 130X6	130	6	7.4	130	140.5	131.5	142
OR 135X6	135	6	7.4	135	145.5	136.5	147
OR 138X6	138	6	7.4	138	148.5	139.5	150
OR 138X6	138	6	7.4	138	148.5	139.5	150
OR 153X6	153	6	7.4	150	160.5	154.5	165

Cod. AS	d	c	L ^{+0.2}	R ^{f7}	S ^{H9}	G ^{h9}	M ^{H8}
OR 158X6	158	6	7.4	155	165.5	159.5	170
OR 170X6	170	6	7.4	170	180.5	174.5	185
OR 180X6	180	6	7.4	180	190.5	184.5	195
OR 190X6	190	6	7.4	190	200.5	194.5	205
OR 220X6	220	6	7.4	220	230.5	224.5	235
OR 340X6	340	6	7.4	340	350.5	344.5	355
OR 380X6	380	6	7.4	380	390.5	384.5	395
OR 70X8	70	8	9.8	70	84	72	86
OR 80X8	80	8	9.8	80	94	82	96
OR 136X8	136	8	9.8	136	150	138	152
OR 160X8	160	8	9.8	160	174	166	180
OR 305X8	305	8	9.8	305	319	311	325
OR 327X8	327	8	9.8	325	339	331	345
OR 450X8	450	8	9.8	450	464	456	470
OR 75X10	75	10	11.6	75	92.6	77.4	95
OR 85X10	85	10	11.6	85	102.6	87.4	105
OR 100X10	100	10	11.6	100	117.6	102.4	120
OR 150X10	150	10	11.6	150	167.6	152.4	170
OR 160X10	160	10	11.6	160	177.6	162.4	180
OR 164X10	164	10	11.6	160	177.6	167.4	185
OR 185X10	185	10	11.6	185	202.6	187.4	205
OR 255X10	255	10	11.6	255	272.6	257.4	275
OR 280X10	280	10	11.6	280	297.6	282.4	300
OR 623X10	623	10	11.6	620	637.6	627.4	645



Other sizes not present in the above table can be provided, depending on the O-Ring chord “c”, in accordance to the following scheme:

c	L			Radial Section (S-R)/2 or (M-G)/2	S	G
	without anti-extrusion ring	with 1 anti-extrusion ring	with 2 anti-extrusion rings			
1	1.4	-	-	0.7	R+1.4	M-1.4
1.5	2	-	-	1.2	R+2.4	M-2.4
1.6	2.1	3.1	4.1	1.25	R+2.5	M-2.5
1.78	2.5	4	5.5	1.55	R+3.1	M-3.1
2	2.7	4.1	5.5	1.65	R+3.3	M-3.3
2.4	3.2	4.6	6	2	R+4	M-4
2.5	3.3	4.7	6.1	2.1	R+4.2	M-4.2
2.62	3.5	5	6.5	2.25	R+4.5	M-4.5
3	4	5.4	6.8	2.5	R+5	M-5
3.53	4.5	6	7.5	3.1	R+6.2	M-6.2
4	5.2	6.9	8.6	3.5	R+7	M-7
4.5	5.8	7.5	9.2	3.9	R+7.8	M-7.8
5	6.6	8.3	10	4.35	R+8.7	M-8.7
5.34	7	9	10.5	4.7	R+9.4	M-9.4
5.7	7.2	8.9	10.6	5	R+10	M-10
6	7.4	9.1	10.8	5.25	R+10.5	M-10.5
6.99	9.5	12	14.5	6.1	R+12.2	M-12.2
8	9.8	12.3	14.8	7	R+14	M-14
10	11.6	14.1	16.6	8.8	R+17.6	M-17.6