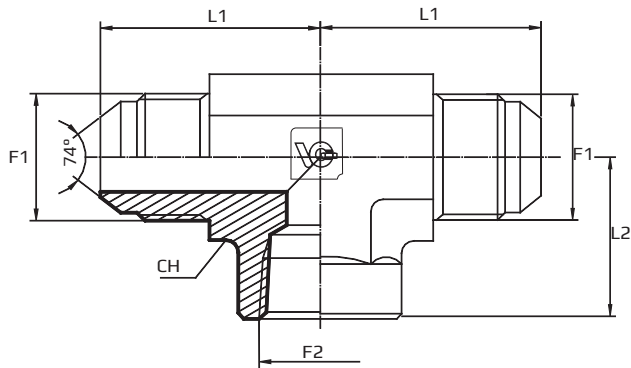


T veida adapteri ar JIC ārējo un NPT apakšējo iekšējo vītņi

Branch Tee male JIC – fixed female NPT

Тройник с JIC внешними и NPT нижней внутренней резьбами



F1 JIC  
F2 NPT

**Kods**  
Code  
Код

**Vītne**  
Thread  
Резьба

**Izmēri**  
Dimensions  
Размеры

|                    | F1      | F2   | CH<br>mm | L1<br>mm | L2<br>mm | PN<br>Bar |
|--------------------|---------|------|----------|----------|----------|-----------|
| <b>TMJ04FFN02P</b> | 7/16"   | 1/8" | 14       | 27.5     | 17       | 345       |
| <b>TMJ04FFN04P</b> | 7/16"   | 1/4" | 19       | 29       | 22.5     | 345       |
| <b>TMJ05FFN02P</b> | 1/2"    | 1/8" | 14       | 27.5     | 17       | 345       |
| <b>TMJ05FFN04P</b> | 1/2"    | 1/4" | 19       | 29       | 22.5     | 345       |
| <b>TMJ06FFN02P</b> | 9/16"   | 1/8" | 14       | 27.5     | 17       | 345       |
| <b>TMJ06FFN04P</b> | 9/16"   | 1/4" | 19       | 31       | 22.5     | 345       |
| <b>TMJ06FFN06P</b> | 9/16"   | 3/8" | 22       | 31.5     | 26       | 310       |
| <b>TMJ08FFN04P</b> | 3/4"    | 1/4" | 19       | 32       | 22.5     | 310       |
| <b>TMJ08FFN06P</b> | 3/4"    | 3/8" | 22       | 36       | 36       | 310       |
| <b>TMJ08FFN08P</b> | 3/4"    | 1/2" | -        | -        | -        | 240       |
| <b>TMJ10FFN08P</b> | 7/8"    | 1/2" | 27       | 42       | 31       | 240       |
| <b>TMJ12FFN08P</b> | 1".1/16 | 1/2" | 27       | 42       | 31       | 240       |
| <b>TMJ12FFN12P</b> | 1".1/16 | 3/4" | 33       | 48       | 34.5     | 240       |
| <b>TMJ16FFN16P</b> | 1".5/16 | 1"   | 41       | 55       | 41       | 210       |