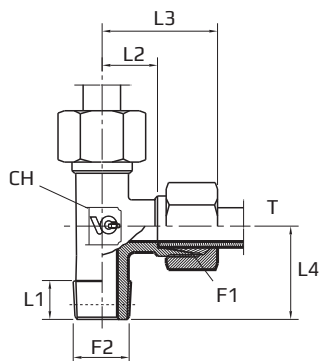


T veida adapteri ar DIN un NPT sānu ārējo vītņi

Stud barrel tee

Тройник с DIN и боковой NPT внешними резьбами



F1 METR.

F2 NPT

Tikai korpusam pievienot kodu .1

Body only add code .1

Только корпус добавить код .1

(TMExxxx.1)

Kods Code Код	Vītne Thread Резьба		Izmēri Dimensions Размеры						Svars Sērija Weight Series Вес Серия		
	F1	F2	T mm	CH mm	L1 mm	L2 mm	L3 mm	L4 mm	PN Bar	kg 100pz	
TME06LMN02B	12X1,5	1/8"	6	12	8	12	20	27	315	5,5	L
TME08LMN04B	14X1,5	1/4"	8	12	12	14	26	29	315	7,5	L
TME10LMN04B	16X1,5	1/4"	10	14	12	15	27	30	315	11,0	L
TME12LMN06B	18X1,5	3/8"	12	17	12	17	28	32	315	13,0	L
TME15LMN08B	22X1,5	1/2"	15	19	14	21	34	36	315	22,0	L
TME18LMN08B	26X1,5	1/2"	18	24	14	23,5	36	40	315	32,0	L
TME22LMN12B	30X2	3/4"	22	27	16	27,5	42	44	160	40,0	L
TME28LMN16B	36X2	1"	28	36	18	30,5	48	47	160	56,0	L
TME35LMN20B	45X2	1.1/4"	35	41	20	34,5	54	56	160	90,0	L
TME42LMN24B	52X2	1.1/2"	42	50	22	40	61	63	160	135,0	L
TME06SMN04B	14X1,5	1/4"	6	12	12	16	26	31	630	10,0	S
TME08SMN04B	16X1,5	1/4"	8	14	12	17	27	32	630	12,0	S
TME10SMN06B	18X1,5	3/8"	10	17	12	17,5	28	34	630	16,0	S
TME12SMN06B	20X1,5	3/8"	12	17	12	21,5	31	38	630	20,0	S
TME14SMN08B	22X1,5	1/2"	14	19	14	22	32	40	630	25,0	S
TME16SMN08B	24X1,5	1/2"	16	24	14	24,5	32	43	400	32,0	S
TME20SMN12B	30X2	3/4"	20	27	16	26,5	42	48	400	48,0	S
TME25SMN16B	36X2	1"	25	36	18	30	48	54	400	92,0	S
TME30SMN20B	42X2	1.1/4"	30	41	20	35,5	54	62	400	130,0	S
TME38SMN24B	52X2	1.1/2"	38	50	22	41	61	72	315	190,0	S