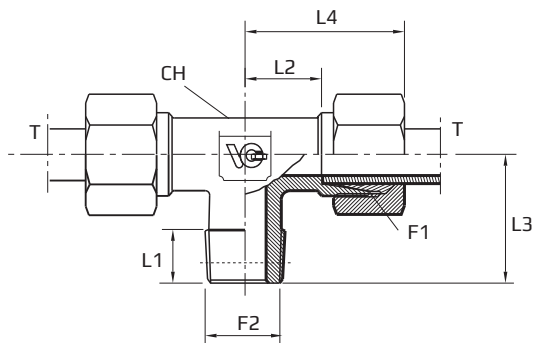


T veida DIN adapteri ar BSP (collīgo) konisku apakšējo ārējo vītņi

Stud branch tee

Тройник с DIN и нижней дюймовой конической внешними резьбами


 F1 METR.
 F2 BSPP

 Tikai korpusam pievienot kodu .1
 Body only add code .1
 Только корпус добавить код .1

(LMExxxx.1)

Kods Code Код	Vītne Thread Резьба	Izmēri Dimensions Размеры							Svars Sērija Weight Series Вес Серия			
		F1	F2	T mm	CH mm	L1 mm	L2 mm	L3 mm	L4 mm	PN Bar	kg 100pz	
TME06LMGK02P	12X1,5	1/8"	6	12	8	12	20	27		315	5,5	L
TME08LMGK04P	14X1,5	1/4"	8	12	12	14	26	29		315	7,5	L
TME10LMGK04P	16X1,5	1/4"	10	14	12	15	27	30		315	10,6	L
TME12LMGK06P	18X1,5	3/8"	12	17	12	17	28	32		315	13,0	L
TME15LMGK08P	22X1,5	1/2"	15	19	14	21	34	36		315	22,0	L
TME18LMGK08P	26X1,5	1/2"	18	24	14	23,5	36	40		315	32,0	L
TME22LMGK12P	30X2	3/4"	22	27	16	27,5	47	44		160	40,0	L
TME28LMGK16P	36X2	1"	28	36	18	30,5	48	47		160	56,0	L
TME35LMGK20P	45X2	1.1/4"	35	41	20	34,5	54	56		160	90,0	L
TME42LMGK24P	52X2	1.1/2"	42	50	22	40	61	63		160	135,0	L
TME06SMGK04P	14X1,5	1/4"	6	12	12	16	26	31		630	9,5	S
TME08SMGK04P	16X1,5	1/4"	8	14	12	17	27	32		630	12,1	S
TME10SMGK06P	18X1,5	3/8"	10	17	12	17,5	28	34		630	16,0	S
TME12SMGK06P	20X1,5	3/8"	12	17	12	21,5	31	38		630	20,3	S
TME14SMGK08P	22X1,5	1/2"	14	19	14	22	32	40		630	25,1	S
TME16SMGK08P	24X1,5	1/2"	16	24	14	24,5	32	43		400	32,4	S
TME20SMGK12P	30X2	3/4"	20	27	16	26,5	47	48		400	48,0	S
TME25SMGK16P	36X2	1"	25	36	18	30	48	54		400	92,0	S
TME30SMGK20P	42X2	1.1/4"	30	41	20	35,5	54	62		400	127,0	S
TME38SMGK24P	52X2	1.1/2"	38	50	22	41	61	72		315	189,0	S