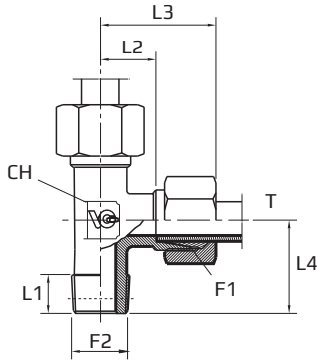


T veida adapteri ar DIN un BSP (colligo) konisku sānu ārējo vītņi

Stud branch tee

Тройник с DIN и боковой дюймовой конической внешними резьбами



F1 METR.
F2 BSPT

Tikai korpusam pievienot kodu .1
Body only add code .1
Только корпус добавить код .1

(LMExxxx.1)

Kods Code Код	Vītne Thread Резьба		Izmēri Dimensions Размеры						Svars Weight	Sērija Series Вес Серия	
	F1	F2	T mm	CH mm	L1 mm	L2 mm	L3 mm	L4 mm	PN Bar	kg 100pz	
TME06LMGK02B	12X1,5	1/8"	6	12	8	12	20	27	315	5,5	L
TME08LMGK04B	14X1,5	1/4"	8	12	12	14	26	29	315	7,5	L
TME10LMGK04B	16X1,5	1/4"	10	14	12	15	27	30	315	11,0	L
TME12LMGK06B	18X1,5	3/8"	12	17	12	17	28	32	315	13,0	L
TME15LMGK08B	22X1,5	1/2"	15	19	14	21	34	36	315	22,0	L
TME18LMGK08B	26X1,5	1/2"	18	24	14	23,5	36	40	315	32,0	L
TME22LMGK12B	30X2	3/4"	22	27	16	27,5	47	44	160	40,0	L
TME28LMGK16B	36X2	1"	28	36	18	30,5	48	47	160	56,0	L
TME35LMGK20B	45X2	1.1/4"	35	41	20	34,5	54	56	160	90,0	L
TME42LMGK24B	52X2	1.1/2"	42	50	22	40	61	63	160	135,0	L
TME06SMGK04B	14X1,5	1/4"	6	12	12	16	26	31	630	10,0	S
TME08SMGK04B	16X1,5	1/4"	8	14	12	17	27	32	630	12,0	S
TME10SMGK06B	18X1,5	3/8"	10	17	12	17,5	28	34	630	16,0	S
TME12SMGK06B	20X1,5	3/8"	12	17	12	21,5	31	38	630	20,0	S
TME14SMGK08B	22X1,5	1/2"	14	19	14	22	32	40	630	25,0	S
TME16SMGK08B	24X1,5	1/2"	16	24	14	24,5	32	43	400	32,0	S
TME20SMGK12B	30X2	3/4"	20	27	16	26,5	47	48	400	48,0	S
TME25SMGK16B	36X2	1"	25	36	18	30	48	54	400	92,0	S
TME30SMGK20B	42X2	1.1/4"	30	41	20	35,5	54	62	400	130,0	S
TME38SMGK24B	52X2	1.1/2"	38	50	22	41	61	72	315	190,0	S