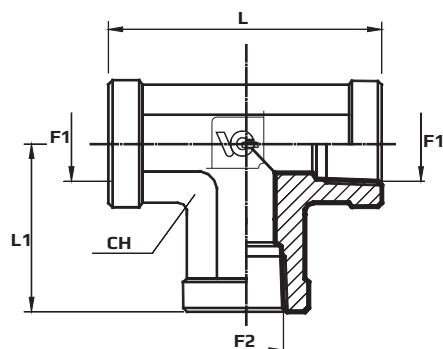


T veida adapteri ar NPT iekšējo vītņi

Tee fixed female Adaptor NPT

Тройник с внутренними NPT резьбами



F1 NPT

**Kods**  
Code  
Код

**Vītne**  
Thread  
Резьба

**Izmēri**  
Dimensions  
Размеры

|        | F1   | CH<br>mm | L<br>mm | L1<br>mm |  |  |  |  | PN<br>Bar |
|--------|------|----------|---------|----------|--|--|--|--|-----------|
| TFFN02 | 1/8" | 14       | 34      | 17       |  |  |  |  | 350       |
| TFFN04 | 1/4" | 19       | 45      | 22.5     |  |  |  |  | 300       |
| TFFN06 | 3/8" | 22       | 52      | 26       |  |  |  |  | 280       |
| TFFN08 | 1/2" | 27       | 62      | 31       |  |  |  |  | 205       |
| TFFN12 | 3/4" | 33       | 69      | 34.5     |  |  |  |  | 200       |
| TFFN16 | 1"   | 41       | 86      | 43       |  |  |  |  | 120       |