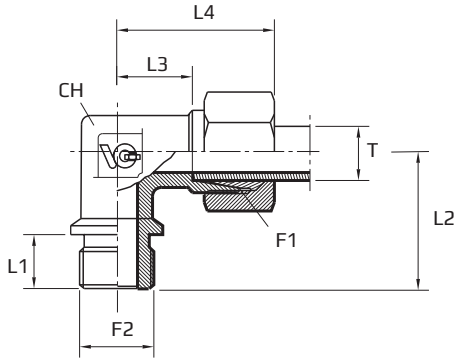


90° adapteri ar DIN un BSP (colligo) ārējo vītņi

Stud elbow form B DIN 3852

Прямоугольный адаптер с DIN и дюймовой внешними резьбами



F1 METR.
F2 BSPP

Tikai korpusam pievienot kodu .1
Body only add code .1
Только корпус добавить код .1

(LMExxx.1)

| Kods Code Код | Vītne Thread Резьба | | Izmēri Dimensions Размеры | | | | | | | | Svars Weight | | Sērija Series Бес Серия |
|---------------------|---------------------------|--------|---------------------------------|----------|----------|----------|----------|----------|---------|-----------|-----------------|---|----------------------------------|
| | F1 | F2 | T mm | CH mm | L1 mm | L2 mm | L3 mm | L4 mm | D mm | PN Bar | kg 100pz | | |
| LME22LMG12 | 30X2 | 3/4" | 22 | 27 | 16 | 26 | 27,5 | 44 | 32 | 160 | 24,6 | L | |
| LME28LMG16 | 36X2 | 1" | 28 | 36 | 18 | 30 | 30,5 | 47 | 39 | 160 | 34,7 | L | |
| LME35LMG20 | 45X2 | 1.1/4" | 35 | 41 | 20 | 34 | 34,5 | 56 | 49 | 160 | 61,2 | L | |
| LME42LMG24 | 52X2 | 1.1/2" | 42 | 50 | 22 | 39 | 40 | 63 | 55 | 160 | 84,6 | L | |
| LME20SMG12 | 30X2 | 3/4" | 20 | 27 | 16 | 26 | 26,5 | 48 | 32 | 400 | 30,3 | S | |
| LME25SMG16 | 36X2 | 1" | 25 | 36 | 18 | 30 | 31 | 54 | 39 | 400 | 58,0 | S | |
| LME30SMG20 | 42X2 | 1.1/4" | 30 | 41 | 20 | 34 | 35,5 | 55 | 49 | 250 | 74,4 | S | |
| LME38SMG24 | 52X2 | 1.1/2" | 38 | 50 | 22 | 39 | 41 | 72 | 55 | 250 | 98,9 | S | |