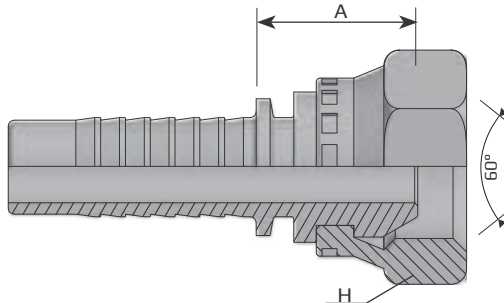


BSPP iekšējā vītne un 60° konuss

BSPP female 60° cone

Ниппель BSPP конус 60°



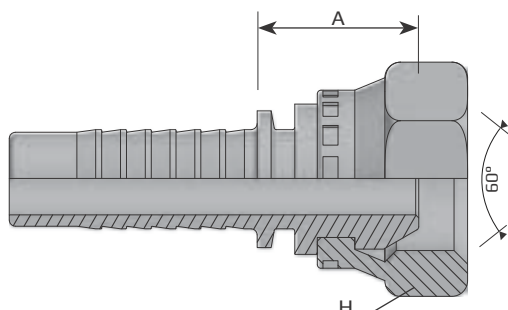
BSPP

Kods Code Код	Šļūtene Hose Рукав			Vītne Thread Резьба		Izmēri Dimensions Размеры		Spiediens Pressure Давление	
	D.N.	Hose Inch	Diam mm	T Inch	t/1"	H mm	A mm	Bar	Psi
FDG0302	-3	3/16"	4.8	1/8"	28	15	18	350	5076
FDG0304	-3	3/16"	4.8	1/4"	19	19	18	415	6019
FDG0402	-4	1/4"	6.4	1/8"	28	15	18	350	5076
FDG0404	-4	1/4"	6.4	1/4"	19	19	18	450	6526
FDG0406	-4	1/4"	6.4	3/8"	19	22	19	450	6526
FDG0408	-4	1/4"	6.4	1/2"	14	27	21	450	6526
FDG0504	-5	5/16"	7.9	1/4"	19	19	18	350	5076
FDG0506	-5	5/16"	7.9	3/8"	19	22	19	350	5076
FDG0508	-5	5/16"	7.9	1/2"	14	27	21	350	5076
FDG0604	-6	3/8"	9.5	1/4"	19	19	19	450	6526
FDG0606	-6	3/8"	9.5	3/8"	19	22	20	450	6526
FDG0608	-6	3/8"	9.5	1/2"	14	27	21	450	6526
FDG0806	-8	1/2"	12.8	3/8"	19	19	20	415	6019
FDG0808	-8	1/2"	12.8	1/2"	14	27	22	415	6019
FDG0810	-8	1/2"	12.8	5/8"	14	28	22	415	6019
FDG0812	-8	1/2"	12.8	3/4"	14	32	24	415	6019
FDG1008	-10	5/8"	16	1/2"	14	27	22	350	5076
FDG1010	-10	5/8"	16	5/8"	14	28	23	350	5076

BSPP iekšējā vītne un 60° konuss

BSPP female 60° cone

Ниппель BSPP конус 60°



BSPP

Kods Code Код	Šūtene Hose Рукав		Vītne Thread Резьба			Izmēri Dimensions Размеры		Spiediens Pressure Давление	
	D.N.	Hose Inch	Diam mm	T Inch	t/1"	H mm	A mm	Bar	Psi
FDG1012	-10	5/8"	16	3/4"	14	32	24	350	5076
FDG1208	-12	3/4"	19	1/2"	14	27	22.5	350	5076
FDG1210	-12	3/4"	19	5/8"	14	28	24	350	5076
FDG1212	-12	3/4"	19	3/4"	14	32	25	350	5076
FDG1216	-12	3/4"	19	1"	11	38	26	350	5076
FDG1612	-16	1"	25.4	3/4"	14	32	26	280	4061
FDG1616	-16	1"	25.4	1"	11	38	27	280	4061
FDG1620	-16	1"	25.4	1.1/4"	11	50	30	280	4061
FDG2020	-20	1.1/4"	31.8	1.1/4"	11	50	30	210	3046
FDG2024	-20	1.1/4"	31.8	1.1/2"	11	55	32	210	3046
FDG2424	-24	1.1/2"	38.1	1.1/2"	11	55	32	185	2683