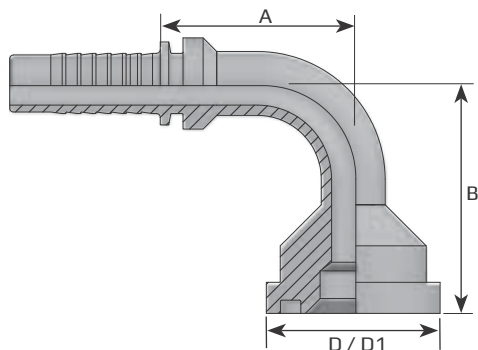


Atloks kods 62 un 90° leņķis 6000psi

Flange code 62 90° elbow 6000psi

Фланец 90° код 62 6000psi



**ATLOKS
FLANGE
ФЛАНЕЦ**

bez blīvumijas
without O-ring
без уплотнительного кольца

Kods Code Код	Šļūtene Hose Рукав			Vītne Thread Резьба	Izmēri Dimensions Размеры				Spiediens Pressure Давление	
	D.N.	Hose	Diam		D	D1	B	A	Bar	Psi
		Inch	mm		Inch	mm	mm	mm		
F90P0808I	-8	1/2"	12.8		1/2"	31.7	44	39	415	6019
F90P0812I	-8	1/2"	12.8		3/4"	41.3	51	39	415	6019
F90P1008I	-10	5/8"	16		1/2"	31.7	50	49	350	5076
F90P1012I	-10	5/8"	16		3/4"	41.3	59	49	350	5076
F90P1208I	-12	3/4"	19		1/2"	31.7	53	57	350	5076
F90P1212I	-12	3/4"	19		3/4"	41.3	62	57	350	5076
F90P1216I	-12	3/4"	19		1"	47.6	67	57	350	5076
F90P1612I	-16	1"	25.4		3/4"	41.3	64	77	280	4061
F90P1616I	-16	1"	25.4		1"	47.6	69	77	280	4061
F90P1620I	-16	1"	25.4		1.1/4"	54	73	77	280	4061
F90P2016I	-20	1.1/4"	31.8		1"	47.6	87	89	210	3046
F90P2020I	-20	1.1/4"	31.8		1.1/4"	54	93	89	210	3046
F90P2024I	-20	1.1/4"	31.8		1.1/2"	63.5	97	89	210	3046
F90P2424I	-24	1.1/2"	38.1		1.1/2"	63.5	111	101	185	2683
F90P2432I	-24	1.1/2"	38.1		2"	79.4	126	101	185	2683
F90P3232I	-32	2"	50.8		2"	79.4	128	144	172	2495