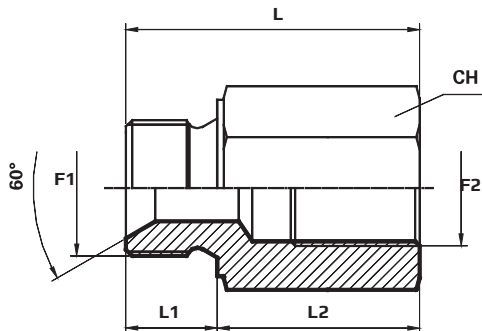


Pagarināti reducējoši BSP (colligie) adapteri ar ārējo un iekšējo vītņi

Reducing Adaptor male BSPP – fixed female BSPP

адаптер с внешней на внутреннюю дюймовые резьбы



F1-F2 BSPP

Kods
Code
Код

Vītne
Thread
Резьба

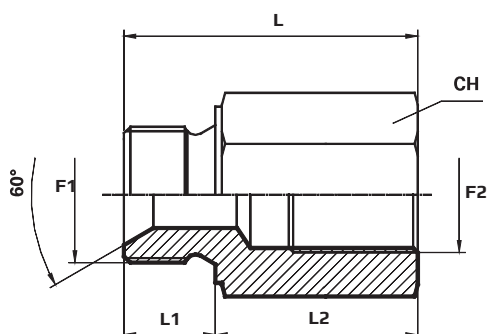
Izmēri
Dimensions
Размеры

	F1	F2	CH mm	L1 mm	L2 mm	L mm			PN Bar
ARMFL0204	1/8"	1/4"	19	9.5	19.5	29			300
ARMFL0206	1/8"	3/8"	22	9.5	22	31.5			280
ARMFL0402	1/4"	1/8"	19	11	21	32			300
ARMFL0406	1/4"	3/8"	22	11	22	33			280
ARMFL0408	1/4"	1/2"	27	11	27	38			200
ARMFL0412	1/4"	3/4"	32	11	30	41			200
ARMFL0604	3/8"	1/4"	22	12.5	22.5	35			280
ARMFL0608	3/8"	1/2"	27	12.5	27.5	40			200
ARMFL0612	3/8"	3/4"	32	12.5	29	41.5			200
ARMFL0616	3/8"	1"	41	12.5	31	43.5			120
ARMFL0804	1/2"	1/4"	27	14	27	41			200
ARMFL0806	1/2"	3/8"	27	14	27	41			200
ARMFL0812	1/2"	3/4"	32	14	32	46			200
ARMFL0816	1/2"	1"	41	14	39.5	53.5			120
ARMFL0820	1/2"	1.1/4"	50	14	37	51			105
ARMFL0824	1/2"	1.1/2"	55	14	38.5	52.5			105
ARMFL1204	3/4"	1/4"	32	16	22	38			200
ARMFL1206	3/4"	3/8"	32	16	26	42			200

Pagarināti reducējoši BSP (colligie) adapteri ar ārējo un iekšējo vītņi

Reducing Adaptor male BSPP – fixed female BSPP

Адаптер с внешней на внутреннюю дюймовые резьбы



F1-F2 BSPP

Kods Code Код	Vītne Thread Резьба		Izmēri Dimensions Размеры				PN Bar
	F1	F2	CH mm	L1 mm	L2 mm	L mm	
ARMFL1208	3/4"	1/2"	32	16	27	43	200
ARMFL1216	3/4"	1"	41	16	33	49	120
ARMFL1220	3/4"	1.1/4"	50	16	36	51	105
ARMFL1224	3/4"	1.1/2"	55	16	38	54	105
ARMFL1606	1"	3/8"	41	18	31.5	49.5	120
ARMFL1608	1"	1/2"	41	18	31.5	49.5	120
ARMFL1612	1"	3/4"	41	18	46	64	120
ARMFL1620	1"	1.1/4"	50	18	36	54	105
ARMFL1624	1"	1.1/2"	55	18	36	54	105
ARMFL1632	1"	2"	70	18	40	58	70
ARMFL2012	1.1/4"	3/4"	50	20	28	48	105
ARMFL2016	1.1/4"	1"	50	20	41	61	105
ARMFL2024	1.1/4"	1.1/2"	55	20	41	61	105
ARMFL2032	1.1/4"	2"	70	20	41	61	70
ARMFL2412	1.1/2"	3/4"	55	21	35	56	105
ARMFL2416	1.1/2"	1"	55	21	41	62	105
ARMFL2420	1.1/2"	1.1/4"	55	21	41	62	105
ARMFL2432	1.1/2"	2"	70	21	41	62	70
ARMFL3216	2"	1"	70	25	32	57	70
ARMFL3220	2"	1.1/4"	70	25	32	57	70
ARMFL3224	2"	1.1/2"	70	25	32	57	70