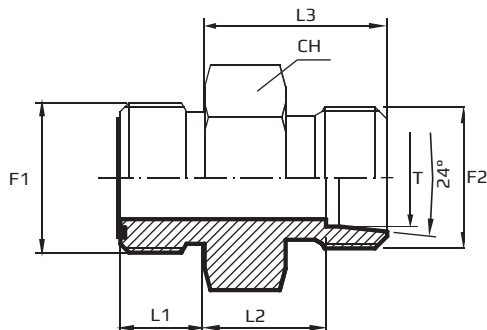


Taisni adapteri ar DIN un ORFS ārējo vītņi

Adaptor male ORFS - male DIN

Коннектор с ORFS и DIN внешними резьбами



F1 ORFS
F2 DIN

Kods Code Код	Vītne Thread Резьба		Izmēri Dimensions Размеры					PN Bar
	F1	F2	CH mm	T mm	L1 mm	L2 mm	L3 mm	
AMO06ME06L	9/16	12X1.5	17	6L	10	10.5	17.5	315
AMO06ME08L	9/16	14X1.5	17	8L	10	10.5	17.5	315
AMO09ME10L	11/16	16X1.5	19	10L	11	13	20	315
AMO11ME12L	13/16	18X1.5	22	12L	13	13.5	20.5	315
AMO13ME15L	1	22X1.5	27	15L	15.5	16.5	23.5	315
AMO14ME18L	1.3/16	26X1.5	32	18L	17	17.5	25	315
AMO15ME22L	1.7/16	30X2	41	22L	17.5	21	28.5	160
AMO21ME28L	1.11/16	36X2	46	28L	17.5	23	30.5	160
AMO32ME35L	2	45X2	55	35L	17.5	23.5	34	160
AMO32ME42L	2	52X2	55	42L	17.5	23	34	160
AMO06ME06S	9/16	14X1.5	17	6S	10	12.5	19.5	630
AMO06ME08S	9/16	16X1.5	17	8S	10	12.5	19.5	630
AMO09ME10S	11/16	18X1.5	19	10S	11	13.5	21	630
AMO11ME12S	13/16	20X1.5	22	12S	13	14	21.5	630
AMO13ME14S	1	22X1.5	27	14S	15.5	19.5	28.5	420
AMO13ME16S	1	24X1.5	27	16S	15.5	20	28.5	400
AMO14ME20S	1.3/16	30X2	32	20S	17	18.5	29	400
AMO15ME25S	1.7/16	36X2	41	25S	17.5	20.5	31.5	400
AMO21ME30S	1.11/16	42X2	46	30S	17.5	23	36.5	280
AMO32ME38S	2	52X2	55	38S	17.5	24	40	280