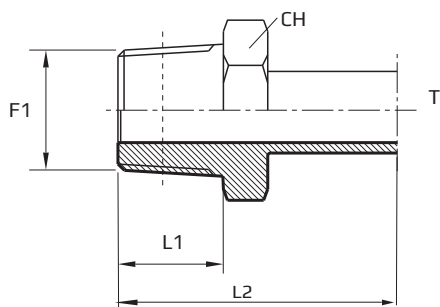


Cauruļu adapteri ar NPT ārējo vītņi

Stud standpipe adaptor

Трубный адаптер с внешней NPT резьбой



F1 NPT

Tikai korpusam pievienot kodu .1

Body only add code .1

Только корпус добавить код .1

(AMNxxxx.1)

Kods Code Код	Vītne Thread Резьба	Izmēri Dimensions Размеры				PN Bar	Svars Weight Вес	Sērija Series Серия
		F1	T mm	CH mm	L1 mm			
AMN02TL06	1/8"	6	12	10	33	315	1,5	L
AMN04TL08	1/4"	8	14	15	39	315	2,5	L
AMN04TL10	1/4"	10	14	15	40	315	2,7	L
AMN06TL12	3/8"	12	19	15	44,5	315	3,7	L
AMN08TL15	1/2"	15	22	20	48	315	7,2	L
AMN08TL18	1/2"	18	22	20	49	315	7,5	L
AMN12TL22	3/4"	22	27	20	49	160	9,0	L
AMN16TL28	1"	28	36	25	55,5	160	15,7	L
AMN20TL35	1.1/4"	35	46	26	63	160	26,2	L
AMN24TL42	1.1/2"	42	50	26	65	160	29,3	L
AMN04TS06	1/4"	6	14	15	40	630	3,5	S
AMN04TS08	1/4"	8	14	15	40	630	3,7	S
AMN06TS10	3/8"	10	19	15	44	630	4,9	S
AMN06TS12	3/8"	12	19	15	44,5	630	5,6	S
AMN08TS14	1/2"	14	22	20	53,5	630	9,0	S
AMN08TS16	1/2"	16	22	20	53,5	400	9,4	S
AMN12TS20	3/4"	20	27	20	58	400	15,0	S
AMN16TS25	1"	25	36	25	68,5	400	26,0	S
AMN20TS30	1.1/4"	30	46	26	73,5	400	41,4	S
AMN24TS38	1.1/2"	38	50	26	78	315	56,0	S