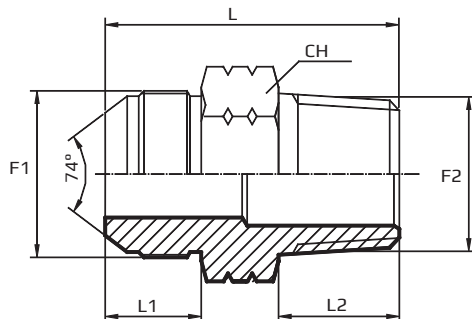


Taisni adapteri ar JIC un NPT ārējo vītņi

Adaptor male JIC - male NPT

Коннектор с JIC и NPT внешними резьбами



F1 JIC
F2 NPT

Kods
Code
Код

Vītne
Thread
Резьба

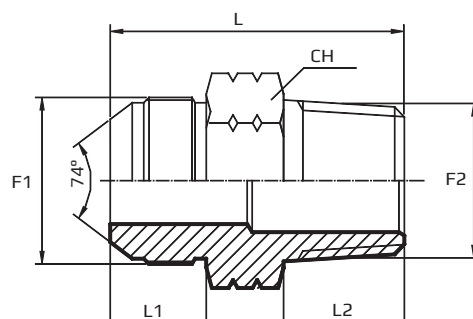
Izmēri
Dimensions
Размеры

Kods Code Код	Vītne Thread Резьба		Izmēri Dimensions Размеры				PN Bar
	F1	F2	CH mm	L1 mm	L2 mm	L mm	
AMJ04MN02	7/16"	1/8"	14	14	10	31	345
AMJ04MN04	7/16"	1/4"	14	14	14.5	35.5	345
AMJ05MN02	1/2"	1/8"	14	14	10	31	345
AMJ05MN04	1/2"	1/4"	14	14	14.5	35.5	345
AMJ06MN02	9/16"	1/8"	17	14.1	10	32	345
AMJ06MN04	9/16"	1/4"	17	14.1	14.5	36.5	345
AMJ06MN06	9/16"	3/8"	17	14.1	14.5	36.5	310
AMJ06MN08	9/16"	1/2"	22	14.1	19	41	240
AMJ08MN04	3/4"	1/4"	22	16.7	14.5	39	310
AMJ08MN06	3/4"	3/8"	22	16.7	14.5	39	310
AMJ08MN08	3/4"	1/2"	22	16.7	19	43.5	240
AMJ08MN12	3/4"	3/4"	27	16.7	19	46	240
AMJ10MN06	7/8"	3/8"	24	19.3	14.5	43.5	240
AMJ10MN08	7/8"	1/2"	24	19.6	19	48	240
AMJ10MN12	7/8"	3/4"	27	19.3	19	48.5	240
AMJ12MN08	1".1/16	1/2"	30	21.9	19	52.5	240
AMJ12MN12	1".1/16	3/4"	30	21.9	19	52.5	240
AMJ12MN16	1".1/16	1"	36	21.9	24	57.5	210
AMJ16MN12	1".5/16	3/4"	36	23.1	19	53.5	210
AMJ16MN16	1".5/16	1"	36	23.1	24	58.5	210

Taisni adapteri ar JIC un NPT ārējo vītņi

Adaptor male JIC - male NPT

Коннектор с JIC и NPT внешними резьбами



F1 JIC
F2 NPT

Kods
Code
Код

Vītne
Thread
Резьба

Izmēri
Dimensions
Размеры

	F1	F2	CH mm	L1 mm	L2 mm	L mm			PN Bar
AMJ20MN16	1".5/8	1"	46	24.3	24	61			170
AMJ20MN20	1".5/8	1".1/4	46	24.3	25	62			170
AMJ24MN20	1".7/8	1".1/4	50	27.5	25	67.5			140
AMJ24MN24	1".7/8	1".1/2	50	27.5	26	68			140