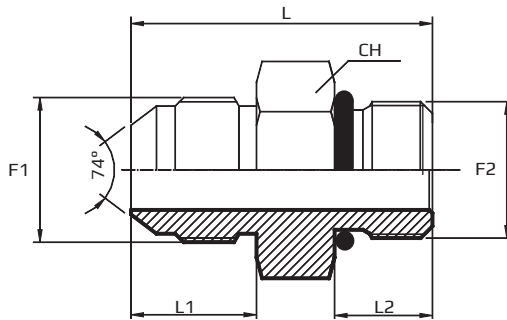


Taisni adapteri ar JIC un UNF ārējo vītņi

Adaptor male JIC - male UNF

Коннектор с JIC и UNF внешними резьбами



F1 JIC
F2 UNF

Kods
Code
Код

Vītne
Thread
Резьба

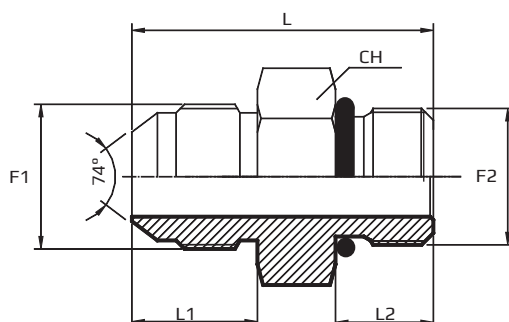
Izmēri
Dimensions
Размеры

	F1	F2	CH mm	L1 mm	L2 mm	L mm	PN Bar
AMJ04MU04	7/16"	7/16"	14	14	9.1	31	345
AMJ04MU05	7/16"	1/2"	17	14	9.1	31	345
AMJ04MU06	7/16"	9/16"	17	14	10	33	345
AMJ04MU08	7/16"	3/4"	22	14	11.1	35	310
AMJ05MU05	1/2"	1/2"	17	14	9.1	31	345
AMJ05MU06	1/2"	9/16"	17	14	10	33	345
AMJ06MU04	9/16"	7/16"	17	14.1	9.1	32	345
AMJ06MU05	9/16"	1/2"	17	14.1	9.1	32	345
AMJ06MU06	9/16"	9/16"	17	14.1	10	33	345
AMJ06MU08	9/16"	3/4"	22	14.1	11.1	35	310
AMJ06MU10	9/16"	7/8"	27	14.1	12.7	38	240
AMJ08MU06	3/4"	9/16"	22	16.7	10	36.5	310
AMJ08MU08	3/4"	3/4"	22	16.7	11.1	37.6	310
AMJ08MU10	3/4"	7/8"	27	16.7	12.7	40.5	240
AMJ08MU12	3/4"	1".1/16	32	16.7	15.1	45	240
AMJ10MU08	7/8"	3/4"	24	19.3	11.1	41.5	240
AMJ10MU10	7/8"	7/8"	27	19.3	12.7	43	240
AMJ10MU12	7/8"	1".1/16	32	19.3	15.1	47.5	240
AMJ12MU08	1".1/16	3/4"	30	21.9	11.5	45	240

Taisni adapteri ar JIC un UNF ārējo vītņi

Adaptor male JIC - male UNF

Коннектор с JIC и UNF внешними резьбами



F1 JIC
F2 UNF

Kods
Code
Код

Vītne
Thread
Резьба

Izmēri
Dimensions
Размеры

	F1	F2	CH mm	L1 mm	L2 mm	L mm				PN Bar
AMJ12MU10	1".1/16	7/8"	30	21.9	12.7	46.5				240
AMJ12MU12	1".1/16	1".1/16	32	21.9	15.1	50				240
AMJ12MU16	1".1/16	1".5/16	41	21.9	15.1	50.5				210
AMJ16MU10	1".5/16	7/8"	36	23.1	12.7	49				210
AMJ16MU12	1".5/16	1".1/16	36	23.1	15.1	51.5				210
AMJ16MU16	1".5/16	1".5/16	41	23.1	15.1	51.5				210
AMJ16MU20	1".5/16	1".5/8	50	23.1	15.1	54				170
AMJ20MU16	1".5/8	1".5/16	46	24.3	15.1	54				170
AMJ20MU20	1".5/8	1".5/8	50	24.3	15.1	55				170
AMJ24MU20	1".7/8	1".5/8	50	27.5	15.1	58				140
AMJ24MU24	1".7/8	1".7/8	55	27.5	15.1	60				140