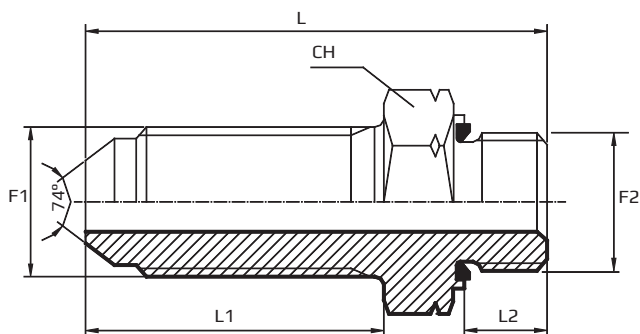


Pagarināti taisni adapteri ar JIC un metrisku ārējo vītņi

Long connector male JIC - metric male form E

Удлиненный коннектор с JIC и метрической внешними резьбами



F1 JIC
F2 METR.

Kods
Code
Код

Vītne
Thread
Резьба

Izmēri
Dimensions
Размеры

	F1	F2	CH mm	L1 mm	L2 mm	L mm	PN Bar
AMJ04MM10RL	7/16"	10X1	14	35	7.5	50.5	350
AMJ05MM10RL	1/2"	10X1	14	37	7.5	53	350
AMJ05MM12RL	1/2"	12X1.5	17	37	9.6	55	350
AMJ05MM14RL	1/2"	14X1.5	19	37	9.6	55	350
AMJ06MM14RL	9/16"	14X1.5	19	39	9.6	57	350
AMJ06MM16RL	9/16"	16X1.5	22	39	11.1	60	350
AMJ08MM16RL	3/4"	16X1.5	22	48	11.1	69	350
AMJ08MM18RL	3/4"	18X1.5	24	48	12.6	71	350
AMJ10MM18RL	7/8"	18X1.5	24	53	12.6	76	350
AMJ10MM22RL	7/8"	22X1.5	27	53	13.6	78	315
AMJ12MM22RL	1".1/16	22X1.5	27	63	13.6	88	315
AMJ12MM27RL	1".1/16	27X2	32	63	16.5	92	315
AMJ16MM27RL	1".5/16	27X2	36	72	16.5	101	280
AMJ16MM33RL	1".5/16	33X2	41	72	16.5	102	280
AMJ20MM42RL	1".5/8	42X2	50	88	17	121	240
AMJ24MM48RL	1".7/8	48X2	55	98	19.5	134	240