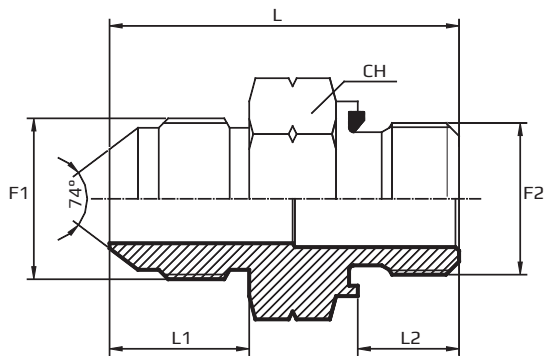


Taisni adapteri ar JIC un metrisku ārējo vītņi

Adaptor male JIC - metric male form E

Коннектор с JIC и метрической внешними резьбами



F1 JIC
F2 METR.

Kods
Code
Код

Vītne
Thread
Резьба

Izmēri
Dimensions
Размеры

	F1	F2	CH mm	L1 mm	L2 mm	L mm			PN Bar
AMJ04MM10R	7/16"	10X1	14	14	9.5	29			345
AMJ04MM12R	7/16"	12X1,5	17	14	12	33			345
AMJ05MM10R	1/2"	10X1	14	14	8	29			345
AMJ05MM12R	1/2"	12X1,5	17	14	14	33			345
AMJ05MM14R	1/2"	14X1,5	19	14	12	33			310
AMJ06MM14R	9/16"	14X1,5	19	14.1	12	33			310
AMJ06MM16R	9/16"	16X1,5	22	14.1	12	33.5			240
AMJ08MM14R	3/4"	14X1,5	19	16.7	12	36			310
AMJ08MM16R	3/4"	16X1,5	22	16.7	12	36			240
AMJ08MM18R	3/4"	18X1,5	24	16.7	12	37.5			240
AMJ10MM18R	7/8"	18X1,5	24	19.3	12	40			240
AMJ10MM20R	7/8"	20X1,5	27	19.3	14	43			240
AMJ10MM22R	7/8"	22X1,5	27	19.3	14	43.5			240
AMJ12MM22R	1".1/16	22X1,5	30	21.9	14	46.5			240
AMJ12MM27R	1".1/16	27X2	32	21.9	16	48.5			240
AMJ16MM27R	1".5/16	27X2	36	23.1	16	50.5			210
AMJ16MM33R	1".5/16	33X2	41	23.1	18	52.5			210
AMJ20MM42R	1".5/8	42X2	50	24.3	20	58			170
AMJ24MM48R	1".7/8	48X2	55	27.5	22	63.5			140