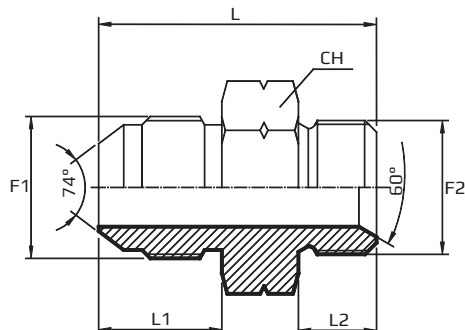


Taisni adapteri ar JIC un metrisku ārējo vītņi

Adaptor male JIC - metric male with 60° cone

Коннектор с JIC и метрической внешними резьбами



F1 JIC
F2 METR.

Kods Code Код	Vītne Thread Резьба		Izmēri Dimensions Размеры				PN Bar
	F1	F2	CH mm	L1 mm	L2 mm	L mm	
AMJ04MM10	7/16"	10X1	14	14	9	30	345
AMJ04MM12	7/16"	12X1,5	17	14	11	33	345
AMJ05MM10	1/2"	10X1	14	14	9	30	345
AMJ05MM12	1/2"	12X1,5	17	14	11	33	345
AMJ05MM14	1/2"	14X1,5	19	14	11	34	310
AMJ06MM14	9/16"	14X1,5	19	14.1	11	34.1	310
AMJ06MM16	9/16"	16X1,5	22	14.1	12.5	35.1	240
AMJ08MM14	3/4"	14X1,5	19	16.7	11	38	310
AMJ08MM16	3/4"	16X1,5	22	16.7	12.5	38	240
AMJ08MM18	3/4"	18X1,5	24	16.7	13.5	39.5	240
AMJ10MM18	7/8"	18X1,5	24	19.3	13.5	42	240
AMJ10MM20	7/8"	20X1,5	27	19.3	15	44.5	240
AMJ10MM22	7/8"	22X1,5	27	19.3	15	44.5	240
AMJ12MM22	1".1/16	22X1,5	30	21.9	15	48	240
AMJ12MM27	1".1/16	27X2	32	21.9	18.5	52	240
AMJ16MM27	1".5/16	27X2	36	23.1	18.5	53	210
AMJ16MM33	1".5/16	33X2	41	23.1	18.5	53	210
AMJ20MM42	1".5/8	42X2	50	24.3	19	58	170
AMJ24MM48	1".7/8	48X2	55	27.5	22	65.5	140