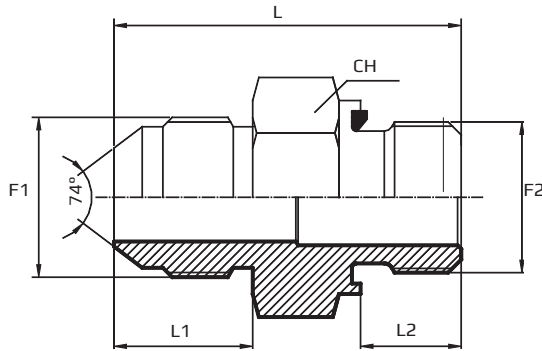


Taisni adapteri ar JIC un BSP (collīgo) ārējo vītņi

Adaptor male JIC - male BSPP form E

Коннектор с JIC и дюймовой внешними резьбами



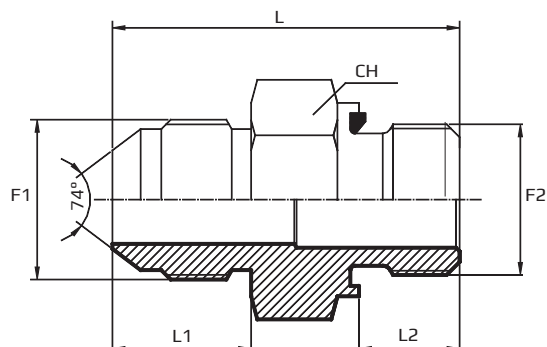
F1 JIC  
F2 BSPP

Kods Code Код	Vītne Thread Резьба		Izmēri Dimensions Размеры				PN Bar
	F1	F2	CH mm	L1 mm	L2 mm	L mm	
AMJ04MG02R	7/16"	1/8"	14	14	8	30.5	345
AMJ04MG04R	7/16"	1/4"	19	14	12	34.5	345
AMJ04MG06R	7/16"	3/8"	22	14	12	36	310
AMJ04MG08R	7/16"	1/2"	27	14	14	39.5	240
AMJ05MG02R	1/2"	1/8"	14	14	8	30.5	345
AMJ05MG04R	1/2"	1/4"	19	14	12	34.5	345
AMJ05MG06R	1/2"	3/8"	22	14	12	36	310
AMJ05MG08R	1/2"	1/2"	27	14	14	40	240
AMJ06MG02R	9/16"	1/8"	17	14.1	8	30.5	345
AMJ06MG04R	9/16"	1/4"	19	14.1	12	34.5	345
AMJ06MG06R	9/16"	3/8"	22	14.1	12	36	310
AMJ06MG08R	9/16"	1/2"	27	14.1	14	40	240
AMJ08MG04R	3/4"	1/4"	22	16.7	12	38	310
AMJ08MG06R	3/4"	3/8"	22	16.7	12	38.5	310
AMJ08MG08R	3/4"	1/2"	27	16.7	14	42.5	240
AMJ08MG12R	3/4"	3/4"	32	16.7	16	46	240
AMJ10MG06R	7/8"	3/8"	24	19.3	12	42.5	240
AMJ10MG08R	7/8"	1/2"	27	19.3	14	45	240
AMJ10MG12R	7/8"	3/4"	32	19.3	16	48.5	240
AMJ10MG16R	7/8"	1"	41	19.3	18	51.9	210

Taisni adapteri ar JIC un BSP (colligo) ārējo vītņi

Adaptor male JIC - male BSPP form E

Коннектор с JIC и дюймовой внешними резьбами



F1 JIC  
F2 BSPP

**Kods**  
Code  
Код

**Vītne**  
Thread  
Резьба

**Izmēri**  
Dimensions  
Размеры

	F1	F2	CH mm	L1 mm	L2 mm	L mm			PN Bar
<b>AMJ12MG06R</b>	1".1/16	3/8"	30	21.9	12	46.5			240
<b>AMJ12MG08R</b>	1".1/16	1/2"	30	21.9	14	49			240
<b>AMJ12MG12R</b>	1".1/16	3/4"	32	21.9	16	51			240
<b>AMJ12MG16R</b>	1".1/16	1"	41	21.9	18	54.5			210
<b>AMJ16MG12R</b>	1".5/16	3/4"	36	23.1	16	53.5			210
<b>AMJ16MG16R</b>	1".5/16	1"	41	23.1	18	55.5			210
<b>AMJ16MG20R</b>	1".5/16	1".1/4	50	23.1	20	60			210
<b>AMJ20MG16R</b>	1".5/8	1"	46	24.3	18	59			170
<b>AMJ20MG20R</b>	1".5/8	1".1/4	50	24.3	20	61			170
<b>AMJ20MG24R</b>	1".5/8	1".1/2	55	24.3	22	64			140
<b>AMJ24MG16R</b>	1".7/8	1"	50	27.5	18	62			140
<b>AMJ24MG20R</b>	1".7/8	1".1/4	50	27.5	20	64			140
<b>AMJ24MG24R</b>	1".7/8	1".1/2	55	27.5	22	67			140