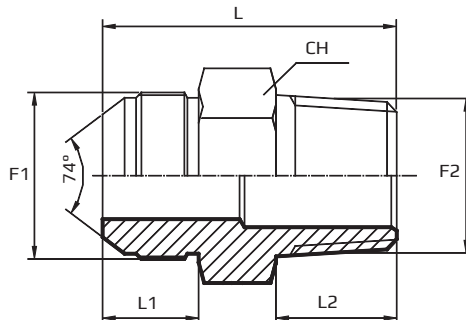


Taisni adapteri ar JIC un BSP (collīgo) konisku ārējo vītņi

Adaptor male JIC - male BSPT

Коннектор с JIC и дюймовой конической внешними резьбами



F1 JIC
F2 BSPT

Kods
Code
Код

Vītne
Thread
Резьба

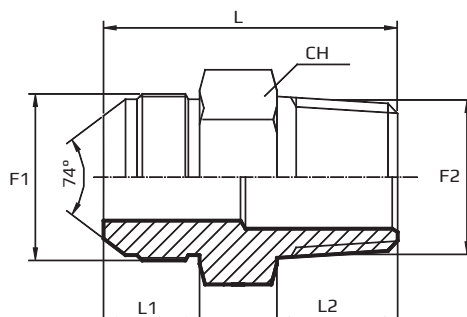
Izmēri
Dimensions
Размеры

	F1	F2	CH mm	L1 mm	L2 mm	L mm	PN Bar
AMJ04MGK02	7/16"	1/8"	14	14	10	31	345
AMJ04MGK04	7/16"	1/4"	14	14	14.5	35.5	345
AMJ05MGK02	1/2"	1/8"	14	14	10	31	345
AMJ05MGK04	1/2"	1/4"	14	14	14.5	35.5	345
AMJ06MGK02	9/16"	1/8"	17	14.1	10	32	345
AMJ06MGK04	9/16"	1/4"	17	14.1	14.5	36.5	345
AMJ06MGK06	9/16"	3/8"	17	14.1	14.5	36.5	310
AMJ06MGK08	9/16"	1/2"	22	14.1	19	41	240
AMJ08MGK04	3/4"	1/4"	22	16.7	14.5	39	310
AMJ08MGK06	3/4"	3/8"	22	16.7	14.5	39	310
AMJ08MGK08	3/4"	1/2"	22	16.7	19	43.5	240
AMJ08MGK12	3/4"	3/4"	27	16.7	19	46	240
AMJ10MGK06	7/8"	3/8"	24	19.3	14.5	43.5	240
AMJ10MGK08	7/8"	1/2"	24	19.6	19	48	240
AMJ10MGK12	7/8"	3/4"	27	19.3	19	48.5	240
AMJ12MGK08	1".1/16	1/2"	30	21.9	19	52.5	240
AMJ12MGK12	1".1/16	3/4"	30	21.9	19	52.5	240
AMJ12MGK16	1".1/16	1"	36	21.9	24	57.5	210
AMJ16MGK12	1".5/16	3/4"	36	23.1	19	53.5	210
AMJ16MGK16	1".5/16	1"	36	23.1	24	58.5	210

Taisni adapteri ar JIC un BSP (colligo) konisku ārējo vītņi

Adaptor male JIC - male BSPT

Коннектор с JIC и дюймовой конической внешними резьбами



F1 JIC
F2 BSPT

Kods Code Код	Vītne Thread Резьба		Izmēri Dimensions Размеры				PN Bar
	F1	F2	CH mm	L1 mm	L2 mm	L mm	
AMJ20MGK16	1".5/8	1"	46	24.3	24	61.5	170
AMJ20MGK20	1".5/8	1".1/4	46	24.3	25	62	170
AMJ24MGK20	1".7/8	1".1/4	50	27.5	25	67.5	140
AMJ24MGK24	1".7/8	1".1/2	50	27.5	26	68	140