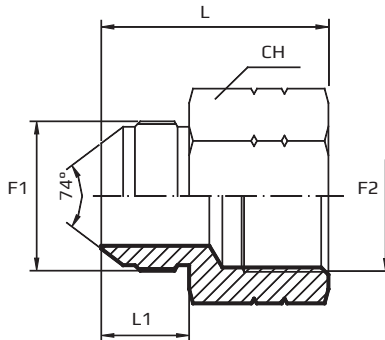


Taisni adapteri ar JIC ārējo un NPT iekšējo vītņi

Adaptor male JIC – fixed female NPT

Коннектор с JIC внешней и NPT внутренней резьбами



F1 JIC
F2 NPT

Kods
Code
Код

Vītne
Thread
Резьба

Izmēri
Dimensions
Размеры

Kods Code Код	Vītne Thread Резьба		Izmēri Dimensions Размеры			PN Bar
	F1	F2	CH mm	L1 mm	L mm	
AMJ04FFN02	7/16"	1/8"	14	14	30	345
AMJ04FFN04	7/16"	1/4"	19	14	35.5	345
AMJ05FFN02	1/2"	1/8"	14	14	30	345
AMJ05FFN04	1/2"	1/4"	19	14	35.5	345
AMJ06FFN04	9/16"	1/4"	19	14.1	35.5	345
AMJ06FFN06	9/16"	3/8"	22	14.1	37	310
AMJ08FFN04	3/4"	1/4"	22	16.7	39.5	310
AMJ08FFN06	3/4"	3/8"	22	16.7	39.5	310
AMJ08FFN08	3/4"	1/2"	30	16.7	45.5	240
AMJ10FFN08	7/8"	1/2"	30	19.3	48	240
AMJ12FFN08	1".1/16	1/2"	30	21.9	51	240
AMJ12FFN12	1".1/16	3/4"	36	21.9	52	240
AMJ16FFN16	1".5/16	1"	41	23.1	59.5	210
AMJ20FFN20	1".5/8	1".1/4	50	24.3	63.5	210
AMJ24FFN24	1".7/8	1".1/2	60	27.5	66.5	140