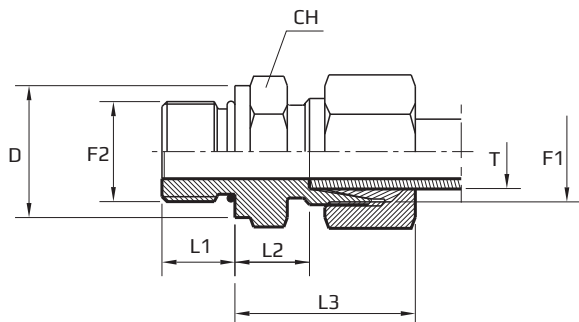


Taisni adapteri ar ārējo DIN un ārējo UNF vītņi

Male stud coupling

Коннектор с DIN и UNF внешними резьбами



F1 METR.

F2 UNF

Tikai korpusam pievienot kodu .1

Body only add code .1

Только корпус добавить код .1

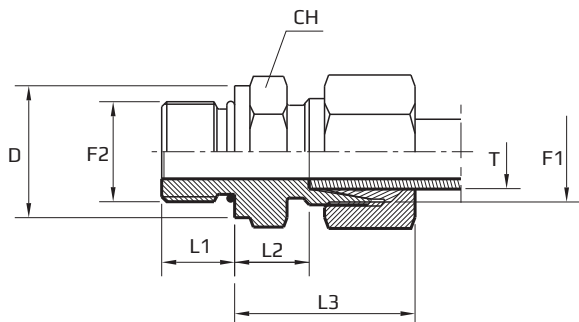
(AMExxxx.1)

| Kods Code Код | Vītne Thread Резьба | | Izmēri Dimensions Размеры | | | | | Svars Sērija Weight Series Вес Серия | | | |
|---------------------|---------------------------|---------|---------------------------------|----------|----------|----------|----------|--|-----------|-------------|---|
| | F1 | F2 | T mm | CH mm | L1 mm | L2 mm | L3 mm | D mm | PN Bar | kg 100pz | |
| AME06LMU04 | 12X1,5 | 7/16" | 6 | 14 | 9 | 10 | 24,5 | 13,8 | 315 | | L |
| AME08LMU04 | 14X1,5 | 7/16" | 8 | 17 | 9 | 10 | 25 | 14,4 | 315 | 3,2 | L |
| AME08LMU05 | 14X1,5 | 1/2" | 8 | 17 | 9 | 10 | 25 | 16,8 | 315 | | L |
| AME10LMU04 | 16X1,5 | 7/16" | 10 | 17 | 9 | 11 | 26 | 14,4 | 315 | 4,0 | L |
| AME10LMU05 | 16X1,5 | 1/2" | 10 | 17 | 9 | 11 | 26 | 16,8 | 315 | | L |
| AME12LMU06 | 18X1,5 | 9/16" | 12 | 19 | 10 | 11 | 26 | 17,6 | 315 | 5,0 | L |
| AME12LMU08 | 18X1,5 | 3/4" | 12 | 24 | 11 | 13 | 28 | 22,3 | 315 | 7,0 | L |
| AME12LMU10 | 18X1,5 | 7/8" | 12 | 27 | 12,7 | 14,3 | 29 | 25,5 | 315 | 7,5 | L |
| AME15LMU08 | 22X1,5 | 3/4" | 15 | 24 | 11 | 14 | 29 | 22,3 | 315 | 9,5 | L |
| AME18LMU08 | 26X1,5 | 3/4" | 18 | 27 | 11 | 14,5 | 31 | 22,3 | 315 | 12,5 | L |
| AME18LMU10 | 26X1,5 | 7/8" | 18 | 27 | 12,7 | 14,8 | 31 | 25,5 | 315 | 13,2 | L |
| AME22LMU10 | 30X2 | 7/8" | 22 | 32 | 12,7 | 16,8 | 33 | 25,5 | 160 | 17,2 | L |
| AME22LMU12 | 30X2 | 1.1/16" | 22 | 32 | 15 | 16,5 | 33 | 31,9 | 160 | 18,5 | L |
| AME22LMU16 | 30X2 | 1.5/16" | 22 | 41 | 15 | 17,5 | 34 | 38,2 | 160 | 23,5 | L |
| AME28LMU12 | 36X2 | 1.1/16" | 28 | 41 | 15 | 17,5 | 34 | 31,9 | 160 | 24,5 | L |
| AME28LMU16 | 36X2 | 1.5/16" | 28 | 41 | 15 | 17,5 | 34 | 38,2 | 160 | 25,0 | L |
| AME35LMU16 | 45X2 | 1.5/16" | 35 | 46 | 15 | 17,5 | 39 | 38,2 | 160 | 36,2 | L |
| AME35LMU20 | 45X2 | 1.5/8" | 35 | 50 | 15 | 17,5 | 39 | 47,7 | 160 | 40,0 | L |
| AME42LMU20 | 52X2 | 1.5/8" | 42 | 55 | 15 | 19 | 42 | 47,7 | 160 | 56,0 | L |
| AME42LMU24 | 52X2 | 1.7/8" | 42 | 55 | 15 | 19 | 42 | 54,8 | 160 | | L |
| AME06SMU05 | 14X1,5 | 1/2" | 6 | 17 | 9 | 15 | 30 | 16,8 | 630 | | S |
| AME08SMU04 | 16X1,5 | 7/16" | 8 | 17 | 9 | 15 | 30 | 14,4 | 630 | 5,0 | S |
| AME08SMU05 | 16X1,5 | 1/2" | 8 | 17 | 9 | 15 | 30 | 16,8 | 630 | | S |

Taisni adapteri ar ārējo DIN un ārējo UNF vītņi

Male stud coupling

Коннектор с DIN и UNF внешними резьбами



F1 METR.

F2 UNF

Tikai korpusam pievienot kodu .1

Body only add code .1

Только корпус добавить код .1

(AMExxxx.1)

| Kods Code Код | Vītne Thread Резьба | | Izmēri Dimensions Размеры | | | | | | PN Bar | Svars Weight Вес | Sērija Series Серия |
|---------------------|---------------------------|---------|---------------------------------|----------|----------|----------|----------|---------|-----------|------------------------|---------------------------|
| | F1 | F2 | T mm | CH mm | L1 mm | L2 mm | L3 mm | D mm | | | |
| AME10SMU06 | 18X1,5 | 9/16" | 10 | 19 | 10 | 14,5 | 31 | 17,6 | 630 | 6,5 | S |
| AME12SMU06 | 20X1,5 | 9/16" | 12 | 22 | 10 | 14,5 | 31 | 17,6 | 630 | 8,0 | S |
| AME12SMU08 | 20X1,5 | 3/4" | 12 | 24 | 11 | 17,5 | 34 | 22,3 | 630 | 10,0 | S |
| AME14SMU08 | 22X1,5 | 3/4" | 14 | 27 | 11 | 15,9 | 34 | 22,3 | 630 | | S |
| AME16SMU08 | 24X1,5 | 3/4" | 16 | 24 | 11 | 15,5 | 34 | 22,3 | 400 | 13,0 | S |
| AME16SMU10 | 24X1,5 | 7/8" | 16 | 27 | 12,7 | 18,8 | 37 | 25,5 | 400 | 15,0 | S |
| AME20SMU08 | 30X2 | 3/4" | 20 | 32 | 11 | 20,5 | 42 | 22,3 | 400 | 22,0 | S |
| AME20SMU10 | 30X2 | 7/8" | 20 | 32 | 12,7 | 20,8 | 42 | 25,5 | 400 | 23,0 | S |
| AME20SMU12 | 30X2 | 1.1/16" | 20 | 32 | 15 | 20,5 | 42 | 31,9 | 400 | 25,0 | S |
| AME25SMU12 | 36X2 | 1.1/16" | 25 | 36 | 15 | 23 | 47 | 31,9 | 400 | 40,0 | S |
| AME25SMU16 | 36X2 | 1.5/16" | 25 | 41 | 15 | 23 | 47 | 38,2 | 400 | 46,0 | S |
| AME30SMU16 | 42X2 | 1.5/16" | 30 | 46 | 15 | 23,5 | 50 | 38,2 | 400 | 53,0 | S |
| AME30SMU20 | 42X2 | 1.5/8" | 30 | 50 | 15 | 23,5 | 50 | 47,7 | 400 | 62,0 | S |
| AME38SMU20 | 52X2 | 1.5/8" | 38 | 55 | 15 | 26 | 57 | 47,7 | 315 | 85,2 | S |
| AME38SMU24 | 52X2 | 1.7/8" | 38 | 55 | 15 | 26 | 57 | 54,8 | 315 | | S |