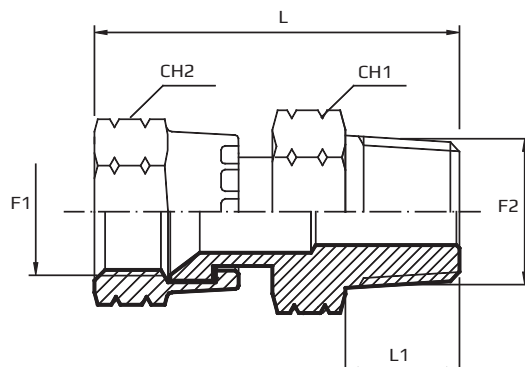


Taisni adapteri ar kustīgu JIC iekšējo un NPT ārējo vītņi

Adaptor swivel female JIC - male NPT

Коннектор с подвижной JIC внутренней и NPT внешней резьбами



F1 JIC
F2 NPT

Kods Code Код	Vītne Thread Резьба		Izmēri Dimensions Размеры				PN Bar
	F1	F2	CH1 mm	CH2 mm	L1 mm	L mm	
AFGJ04MN02	7/16"	1/8"	12	15	10	34.5	310
AFGJ04MN04	7/16"	1/4"	14	15	14.5	39	275
AFGJ05MN02	1/2"	1/8"	12	17	10	36	275
AFGJ05MN04	1/2"	1/4"	14	17	14.5	40.5	275
AFGJ06MN04	9/16"	1/4"	14	19	14.5	41.3	275
AFGJ06MN06	9/16"	3/8"	17	19	14.5	42.3	210
AFGJ08MN04	3/4"	1/4"	19	24	14.5	44.6	275
AFGJ08MN06	3/4"	3/8"	19	24	14.5	44.6	275
AFGJ08MN08	3/4"	1/2"	22	24	19	49.1	210
AFGJ10MN06	7/8"	3/8"	22	27	14.5	48.6	210
AFGJ10MN08	7/8"	1/2"	22	27	19	53.1	210
AFGJ10MN12	7/8"	3/4"	27	27	19	56.1	210
AFGJ12MN08*	1".1/16	1/2"	27	32	19	56.2	210
AFGJ12MN12*	1".1/16	3/4"	27	32	19	56.2	210
AFGJ12MN16*	1".1/16	1"	36	32	24	61.8	170
AFGJ16MN12*	1".5/16	3/4"	32	41	19	59.9	170
AFGJ16MN16*	1".5/16	1"	36	41	24	45.4	170
AFGJ20MN20*	1".5/8	1".1/4	46	50	25	67.8	140
AFGJ24MN20*	1".7/8	1".1/4	46	55	25	76.8	105
AFGJ24MN24*	1".7/8	1".1/2	50	55	26	77.8	105