

MSH

Maximum pressure 12 bar
Flow rates to 196 l/min



Technical data

Filter housing (Materials)

- Head: Anodized Aluminium
- Bypass valve: Nylon - Steel
- Element: Aluminium, Painted Steel

Pressure

- Working pressure: 35 bar (3,5 MPa)

Temperature

- From -20°C to +110°C

Bypass valve

- Opening pressure: 2,5 bar ±10%

Δp Elements type

- Δp: 5 bar
- Oil flow from OUT to IN.

Seals

- Standard NBR series A
- Optional FPM series V

MSH FILTERS ARE PROVIDED FOR VERTICAL MOUNTING

Weights (kg)

- MSH050 1,5
- MSH070 1,9
- MSH100 3,3
- MSH150 3,8

Volumes (dm³)

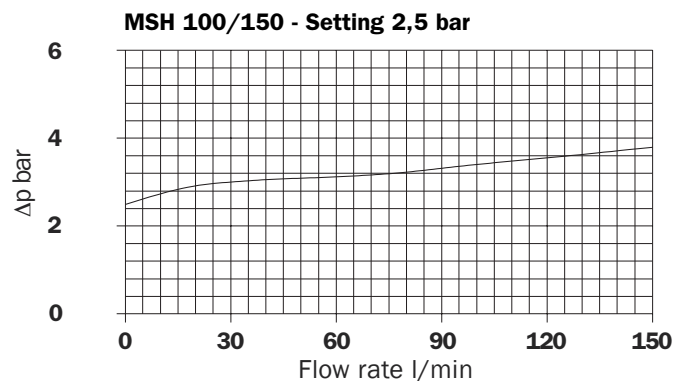
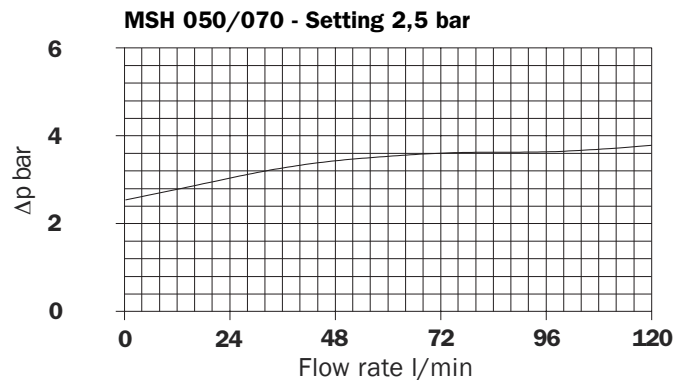
- MSH050 0,65
- MSH070 0,95
- MSH100 1,80
- MSH150 2,20

Filter housings Δp pressure drop

The curves are plotted utilising mineral oil with density of 0,86 kg/dm³ to ISO 3968.

Δp varies proportionally with density.

Valves: Bypass valve pressure drop



Filter sizing

In-Line Filter

The following filter sizing recommendations are based using a mineral oil fluid at 30/46/68 mm²/s (cSt) with a maximum total filter assembly (housing and filter element) of **50 kPa (0,5 bar)**.

MSH 050

	mm ² /s (cSt)		
	32	46	68
A03	44	33	24
A06	56	44	32
A10	72	59	46
A25	75	62	48

Flow rate l/min

MSH 070

	mm ² /s (cSt)		
	32	46	68
A03	62	49	37
A06	77	66	52
A10	83	72	59
A25	92	84	73

Flow rate l/min

MSH 100

	mm ² /s (cSt)		
	32	46	68
A03	92	67	47
A06	121	94	68
A10	145	118	90
A25	176	150	122

Flow rate l/min

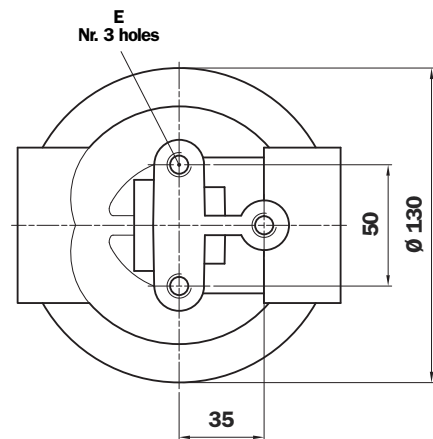
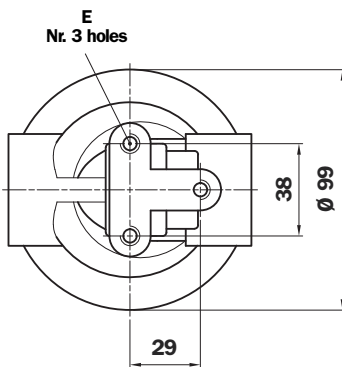
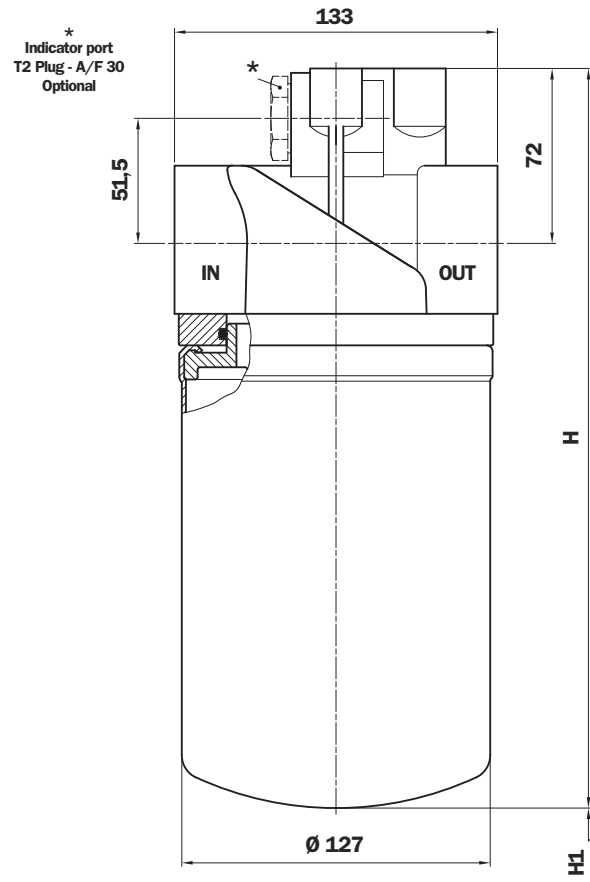
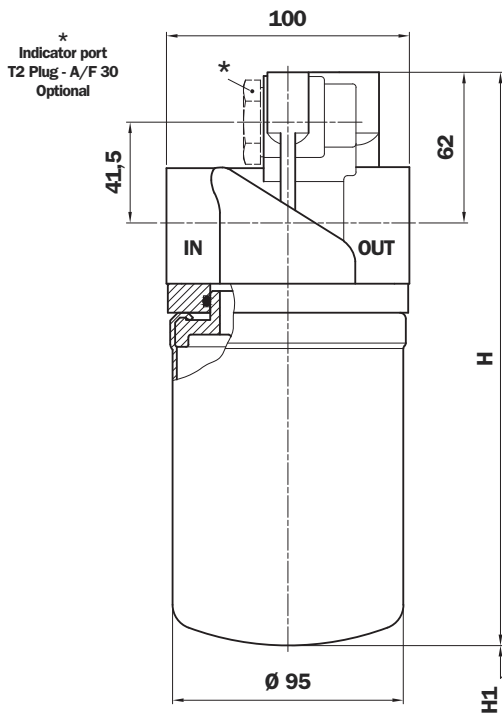
MSH 150

	mm ² /s (cSt)		
	32	46	68
A03	116	89	65
A06	128	120	74
A10	170	145	115
A25	196	175	147

Flow rate l/min

MSH 050 - 070

MSH 100 - 150



MSH 050 - 070 - 100 - 150

Length Filter	H mm	H1 mm
050	236	45
070	326	45
100	311	60
150	354	60

MSH 050/070 - Thread connections

Type	Size	E Depth 15 mm
G1	G 1"	M8
G2	G 3/4"	M8
G3	1" NPT	5/16" UNC
G4	3/4" NPT	5/16" UNC
G5	SAE 16 - 1 5/16" - 12 UN	5/16" UNC
G6	SAE 12 - 1 1/16" - 12 UN	5/16" UNC

MSH 100/150 - Thread connections

Type	Size	E Depth 18 mm
G1	G 1 1/2"	M10
G2	G 1 1/4"	M10
G3	1 1/2" NPT	3/8" UNC
G4	1 1/4" NPT	3/8" UNC
G5	SAE 24 - 1 7/8" - 12 UN	3/8" UNC
G6	SAE 20 - 1 5/8" - 12 UN	3/8" UNC

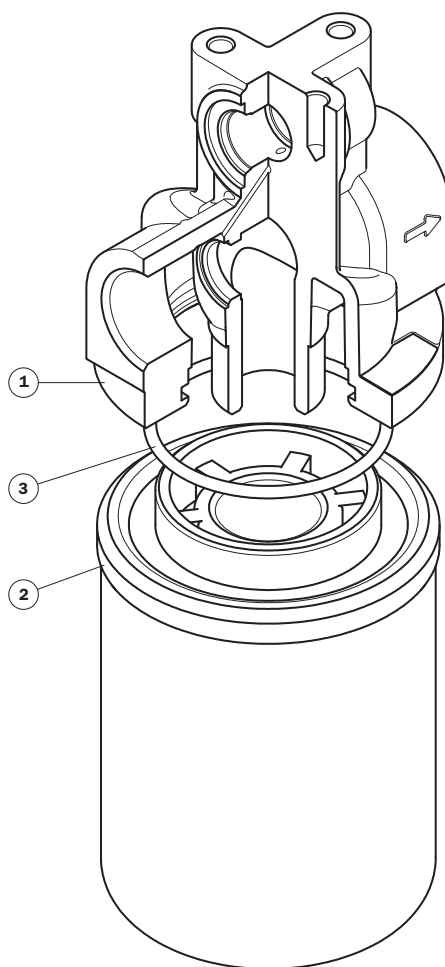
Filter element CH



CH - Thread connections

Type	Size
050 - 070	M32 x 2
100 - 150	M45 x 2

Spare parts



Item	Description	Q.ty	FILTER Series	
			MSH 050 - 070	MSH 100 - 150
1	Filter assembly	1	See order table	
2	Filter element	1	See order table	
3	Seal	1	O-R 167 Ø 63,50 x 3,53	O-R 4362 Ø 91,67 x 3,53

Ordering information MSH

Filter assembly

MSH

Example 1: MSH
Example 2: MSH

2	3	4	5	6	7
<input type="checkbox"/>	<input type="checkbox"/>	<input type="checkbox"/>	<input type="checkbox"/>	<input type="checkbox"/>	<input type="checkbox"/>

050 B A G3 P25 P01
150 S A G1 M60 P01

Filter element

CH

Example 1:
Example 2:

1	2	6	4	7
<input type="checkbox"/>	<input type="checkbox"/>	<input type="checkbox"/>	<input type="checkbox"/>	<input type="checkbox"/>

CH 050 P25 A P01
CH 150 M60 A P01

1 - Filter element

CH Filter element European std.

2 - Style

050
070
100
150

3 - Valves

S Without bypass
B With bypass 2,5 bar ±10%

4 - Filter seals

A NBR

5 - Connections

Threaded

MSH

050 - 070

Type	Size
G1	G 1"
G2	G 3/4"
G3	1" NPT
G4	3/4" NPT
G5	SAE 16 - 1 5/16" - 12 UN
G6	SAE 12 - 1 1/16" - 12 UN

MSH

100 - 150

Type	Size
G1	G 1 1/2"
G2	G 1 1/4"
G3	1 1/2" NPT
G4	1 1/4" NPT
G5	SAE 24 - 1 7/8" - 12 UN
G6	SAE 20 - 1 5/8" - 12 UN

6 - Filter element

A03	Inorganic microfibre 3 µm	Absolute filtration Inorganic Microfibre βx (c) ≥ 1000
A06	Inorganic microfibre 6 µm	
A10	Inorganic microfibre 10 µm	
A25	Inorganic microfibre 25 µm	
M25	Wire mesh 25 µm	Nominal Filtration
M60	Wire mesh 60 µm	
M90	Wire mesh 90 µm	
P10	Resin - Impregnated paper	Nominal Filtration
P25	Resin - Impregnated paper	

7 - Option

P01 MP Filtri standard

For Clogging Indicator:
See page 318

MP Filtri - The filter functions as described in this bulletin are valid exclusively for original MP Filtri filter elements and replacement parts. All rights reserved.

The data in this publication are purely guideline. MP Filtri reserves the right to make changes to the models described herein at any time it deems fit in relation to technical or commercial requirements. The colours of the products shown on the cover are purely guideline. Copyright. All rights reserved.