

# MPF

**Maximum pressure 8 bar**  
**Flow rates to 750 l/min**



## Technical data

### Filter housing (Materials)

- Head: Aluminium
- Cover: Nylon (only for: MPF 020-030-100-104-110)  
Aluminium (all the other)

### Pressure

- Working pressure: 8 bar (0,8 MPa)

### Temperature

- From -25 °C to +110 °C

### Bypass valve

- Opening pressure 1.75 bar  $\pm$ 10%
- Opening pressure 3 bar  $\pm$ 10%

### $\Delta p$ Elements type

- Microfibre filter elements series H: 10 bar
- Fluid flow through the filter element from OUT to IN.

### Seals

- Standard NBR series A
- Optional FPM series V

### MPF FILTERS ARE PROVIDED FOR VERTICAL MOUNTING

#### Weights (kg)

Length	1	2	3	4
• MPF 020	0,30	-	-	-
• MPF 030	0,40	-	-	-
• MPF 100	0,61	0,64	0,67	0,74
• MPF 104	0,82	0,96	1,02	1,25
• MPF 110	0,64	0,68	0,71	0,78
• MPF 181	2,20	3,00	-	-
• MPF 182	2,30	3,10	-	-
• MPF 184	2,55	3,45	-	-
• MPF 191	-	3,00	-	-
• MPF 192	-	3,10	-	-
• MPF 194	-	3,45	-	-
• MPF 400	3,35	3,65	3,90	-
• MPF 410	3,55	3,85	4,10	-
• MPF 450-451	3,95	4,25	4,50	-
• MPF 750	6,30	-	-	-

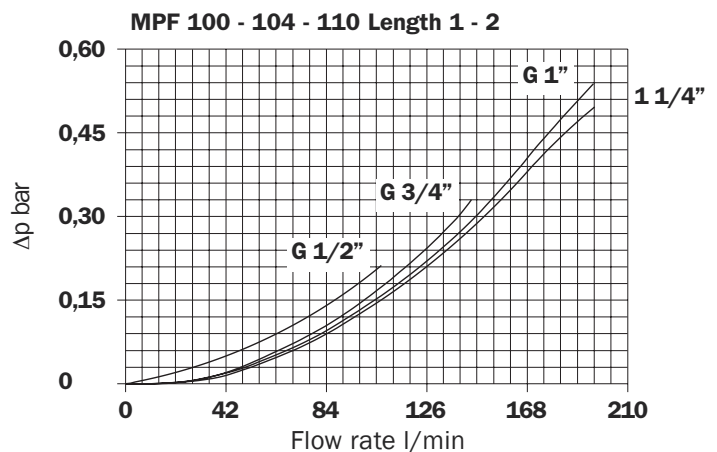
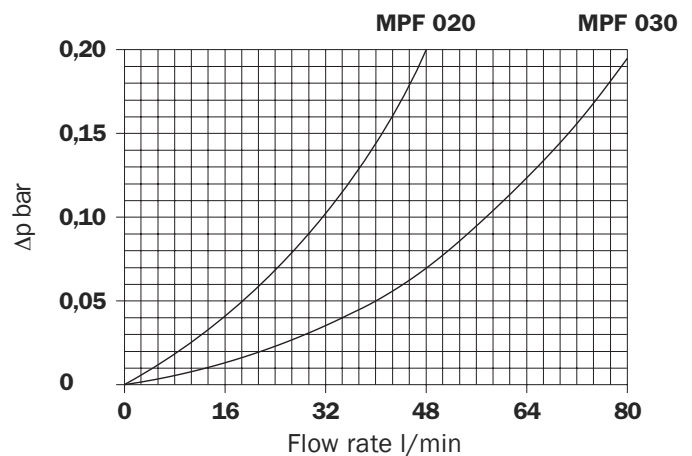
#### Volumes (dm<sup>3</sup>)

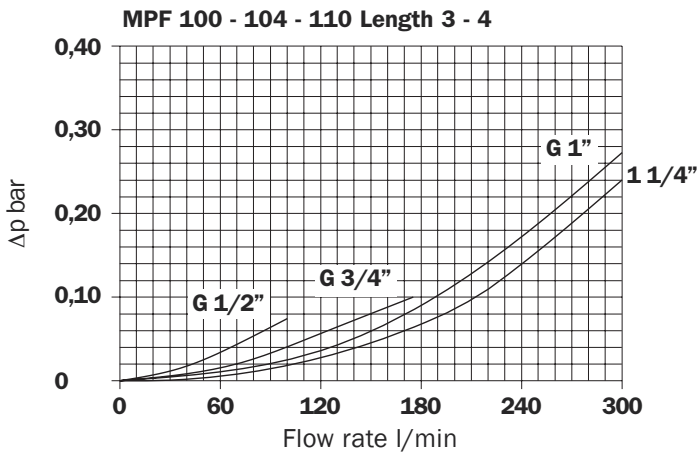
Length	1	2	3	4
• MPF 020	0,26	-	-	-
• MPF 030	0,29	-	-	-
• MPF 100	0,64	0,85	1,20	1,65
• MPF 104	0,64	0,85	1,20	1,65
• MPF 181	2,50	4,00	-	-
• MPF 182	2,50	4,00	-	-
• MPF 184	2,65	4,45	-	-
• MPF 191	-	4,25	-	-
• MPF 192	-	4,25	-	-
• MPF 194	-	4,45	-	-
• MPF 400-410	3,70	4,60	5,40	-
• MPF 450-451	3,70	4,60	5,40	-
• MPF 750	8,45	-	-	-

### Filter housings $\Delta p$ pressure drop

The curves are plotted utilising mineral oil with density of 0,86 kg/dm<sup>3</sup> to ISO 3968.

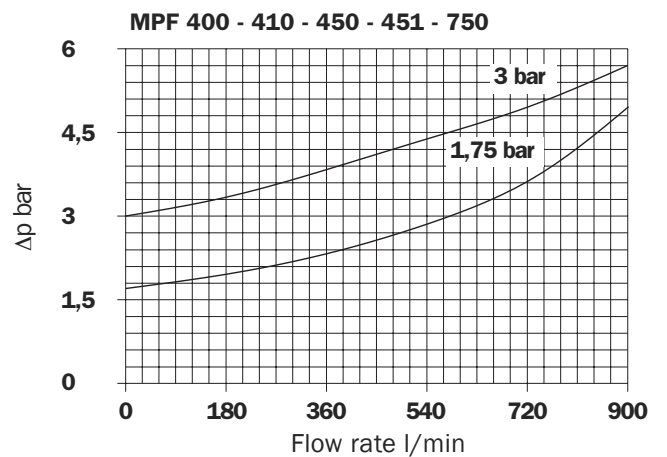
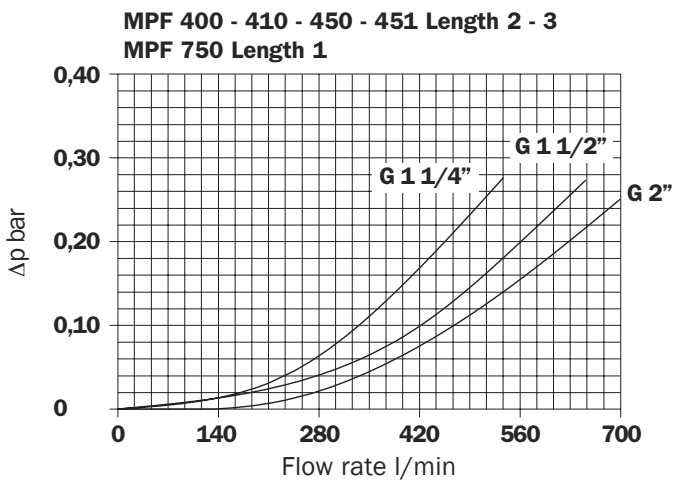
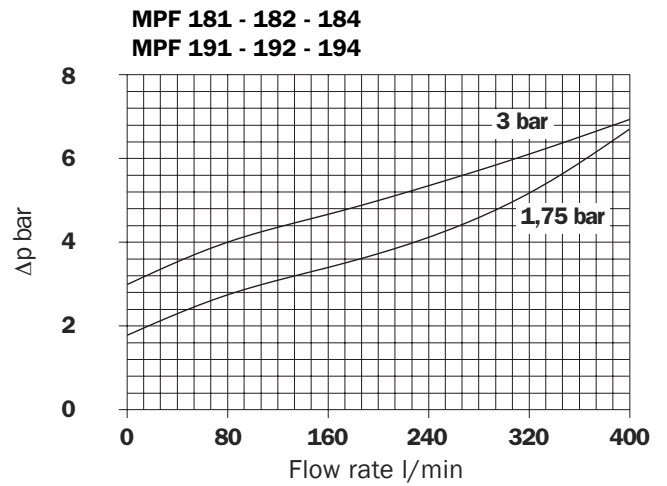
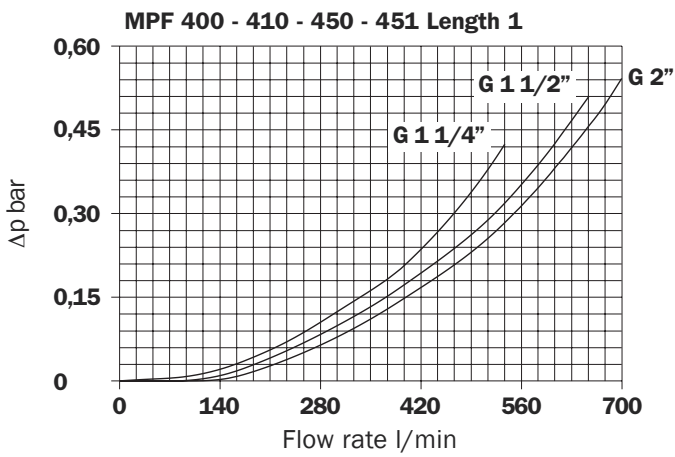
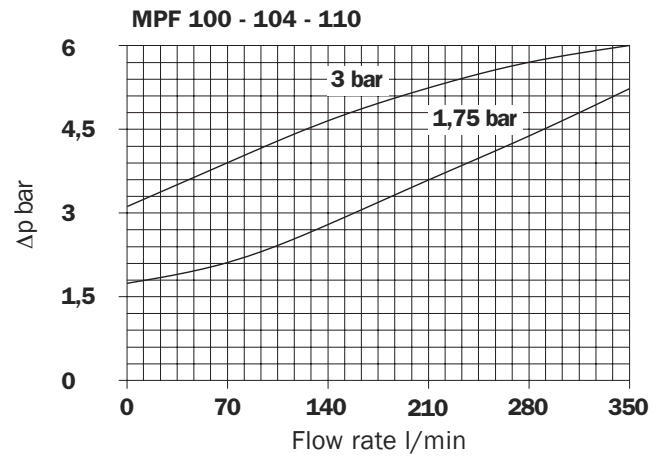
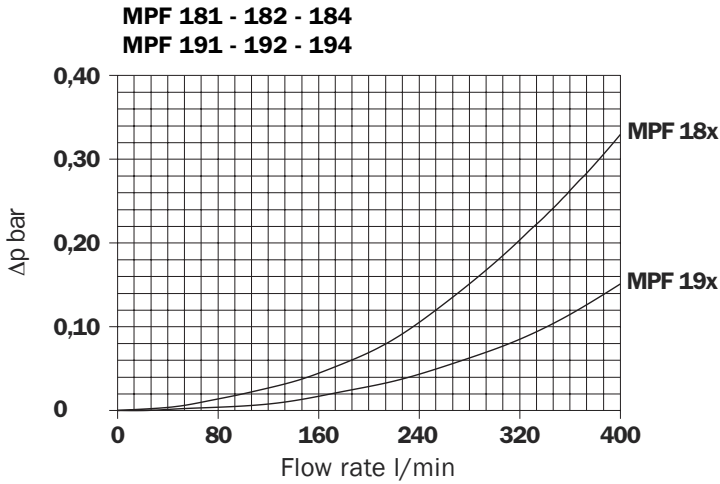
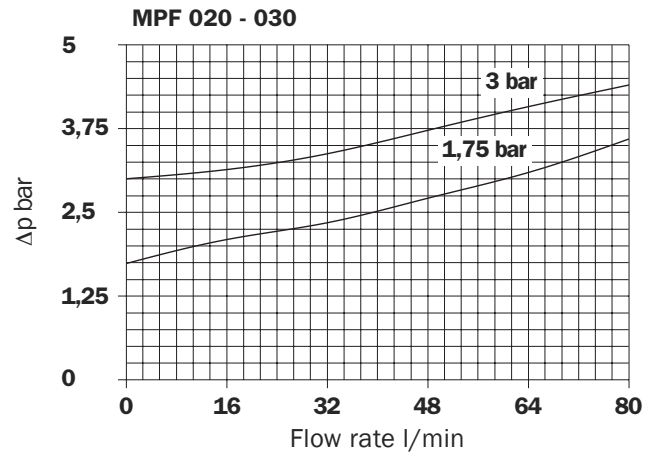
$\Delta p$  varies proportionally with density.





**Valves**

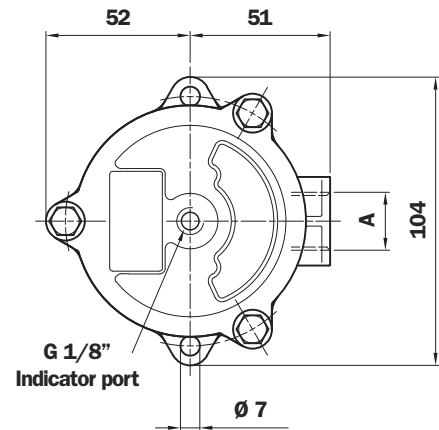
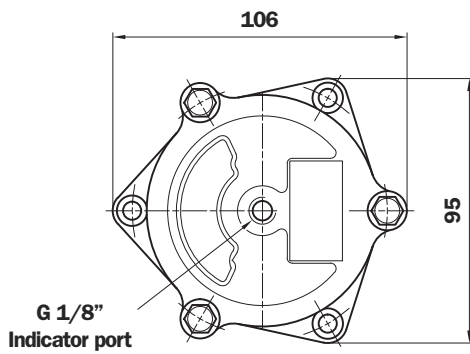
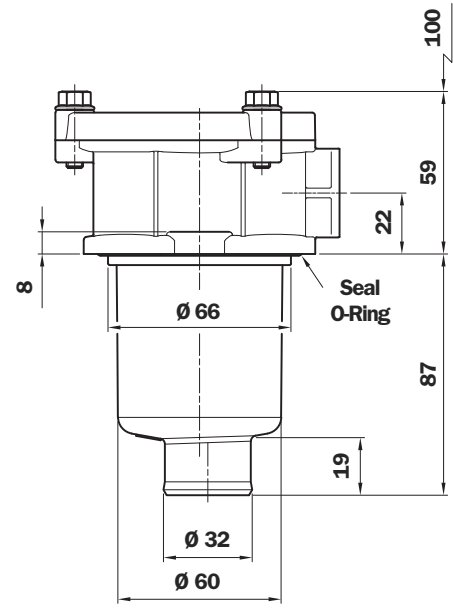
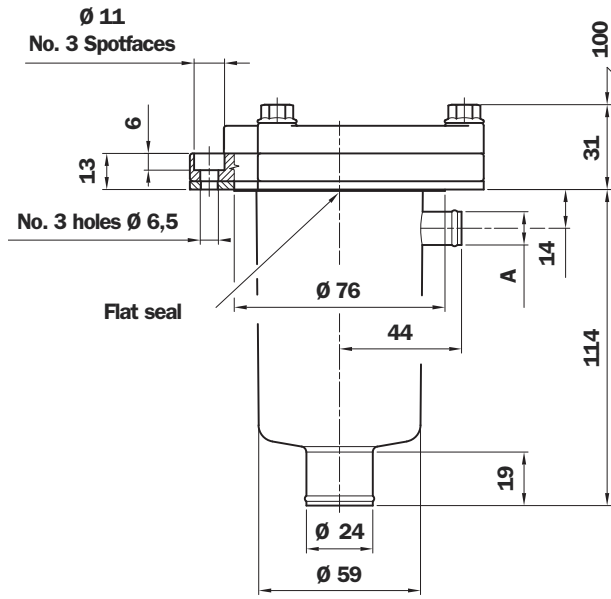
**Bypass valve pressure drop**





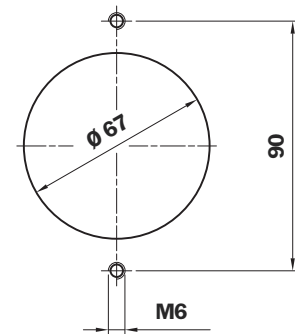
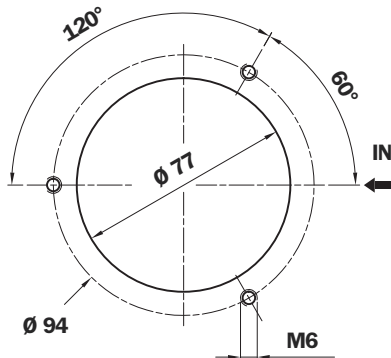
# MPF 020

# MPF 030



Holes on the tank

Holes on the tank



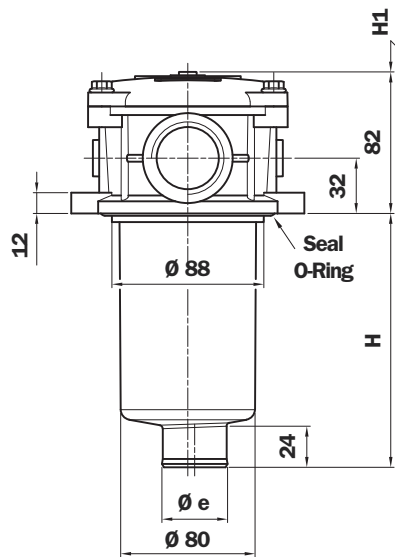
## MPF 020 Connection

Type	A
P1	Hose barb - $\varnothing 12$

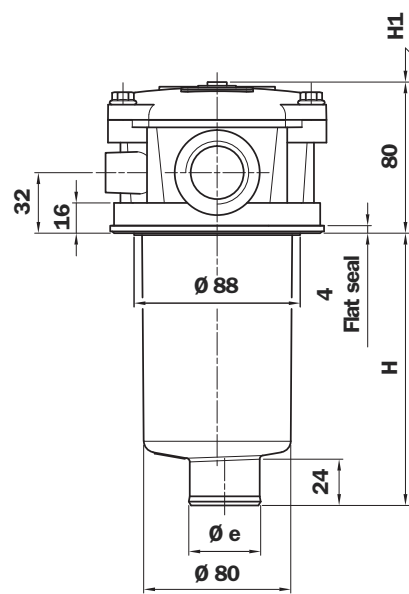
## MPF 030 Thread connections

Type	A
G1	G 1/2"
G4	1/2" NPT
G7	SAE 8 - 3/4" - 16 UNF

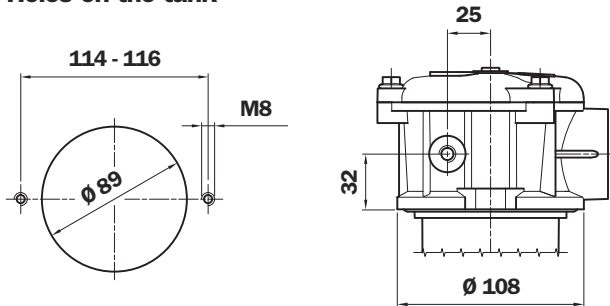
# MPF 100



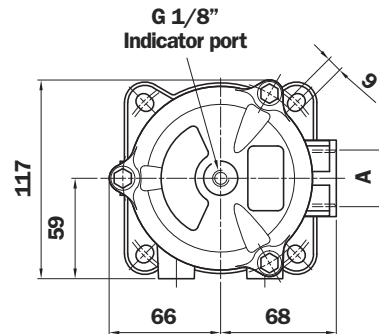
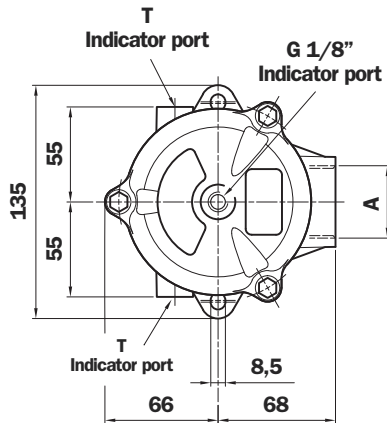
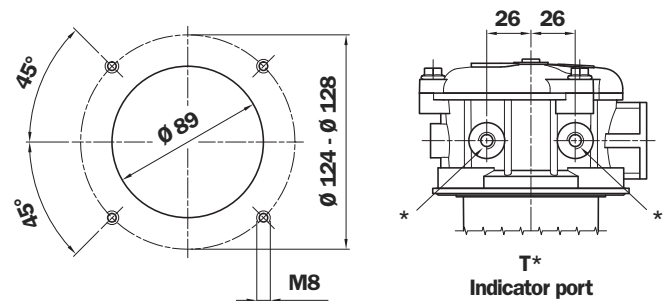
# MPF 104



## Holes on the tank



## Holes on the tank



## MPF 100

Filter Length	H mm	H1 mm	Ø e mm
1	100	120	38
2	147	170	38
3	225	250	46,5
4	327	350	46,5

T indicator port  
G 1/4" - 1/4" NPT  
ON REQUEST

## MPF 100 - Thread connections

Type 1	T	Type 2	T	A
G1	Indicator port not machined	C1	G 1/8"	G 1/2"
G2		C2	G 1/8"	G 3/4"
G3		C3	G 1/8"	G 1"
G10		C10	G 1/8"	G 1 1/4"
G4		C4	1/8" NPT	1/2" NPT
G5		C5	1/8" NPT	3/4" NPT
G6		C6	1/8" NPT	1" NPT
G11		C11	1/8" NPT	1 1/4" NPT
G7		C7	1/8" NPT	SAE 8 - 3/4" - 16 UNF
G8		C8	1/8" NPT	SAE 12 - 1 1/16" - 12 UN
G9		C9	1/8" NPT	SAE 16 - 15/16" - 12 UN
G12		C12	1/8" NPT	SAE 20 - 15/8" - 12 UN

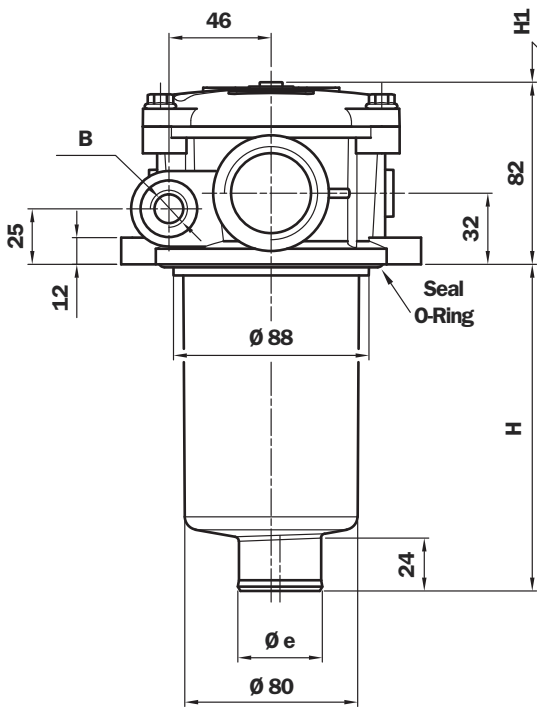
## MPF 104

Filter Length	H mm	H1 mm	Ø e mm
1	101	120	38
2	148	170	38
3	226	250	46,5
4	328	350	46,5

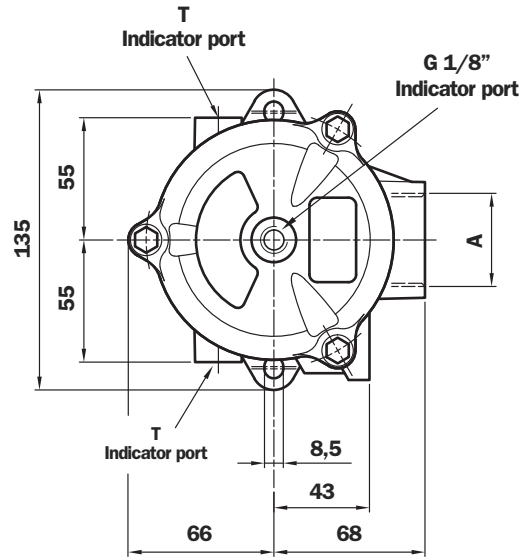
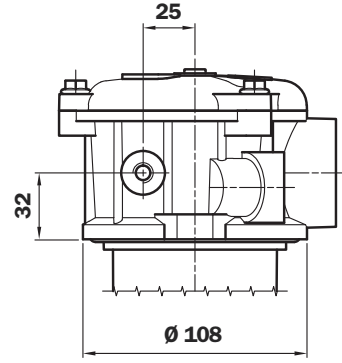
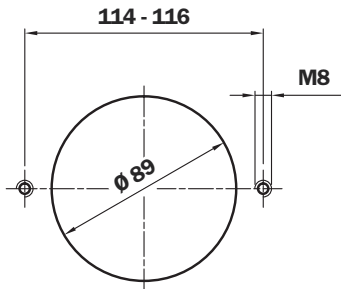
## MPF 104 - Thread connections

Type 1	T	Type 2	T	A
G1	Indicator port not machined	C1	G 1/8"	G 1/2"
G2		C2	G 1/8"	G 3/4"
G3		C3	G 1/8"	G 1"
G4		C4	1/8" NPT	1/2" NPT
G5		C5	1/8" NPT	3/4" NPT
G6		C6	1/8" NPT	1" NPT
G7		C7	1/8" NPT	SAE 8 - 3/4" - 16 UNF
G8		C8	1/8" NPT	SAE 12 - 1 1/16" - 12 UN
G9		C9	1/8" NPT	SAE 16 - 15/16" - 12 UN

# MPF 110



Holes on the tank



## Multiport

Filter Length	H mm	H1 mm	Ø e mm
1	100	120	38
2	147	170	38
3	225	250	46,5
4	327	350	46,5

T indicator port  
G 1/4" - 1/4" NPT  
ON REQUEST

## Thread connections A

Type	T	A
G1	G 1/8"	G 1/2"
G2	G 1/8"	G 3/4"
G3	G 1/8"	G 1"
G10	G 1/8"	G 1 1/4"
G4	1/8" NPT	1/2" NPT
G5	1/8" NPT	3/4" NPT
G6	1/8" NPT	1" NPT
G11	1/8" NPT	1 1/4" NPT
G7	1/8" NPT	SAE 8 - 3/4" - 16 UNF
G8	1/8" NPT	SAE 12 - 1 1/16" - 12 UN
G9	1/8" NPT	SAE 16 - 1 5/16" - 12 UN
G12	1/8" NPT	SAE 20 - 1 5/8" - 12 UN

Thread connections A	Thread connections B	
	1	2
G1 - G2 - G3 - G10	G 3/8"	G 1/2"
G4 - G5 - G6 - G11	3/8" NPT	1/2" NPT
G7 - G8 - G9 - G12	SAE 6 - 9/16" - 18 UNF	SAE 8 - 3/4" - 16 UNF



Standard  
Single In Port



Double In Port  
Option: Double Indicator Port



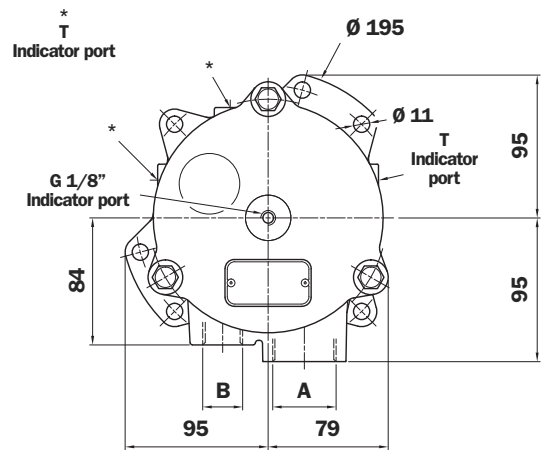
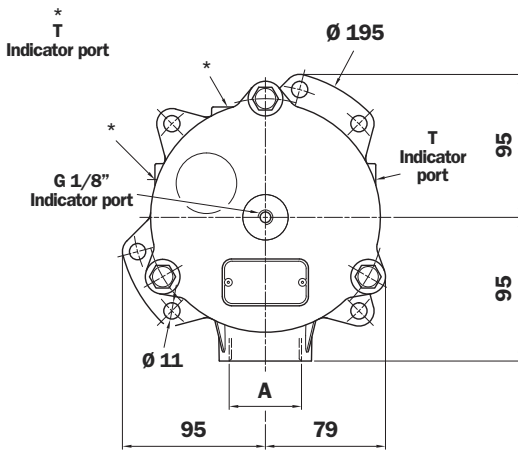
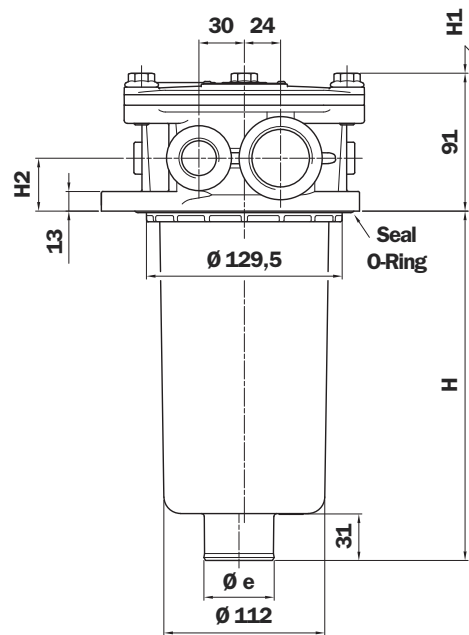
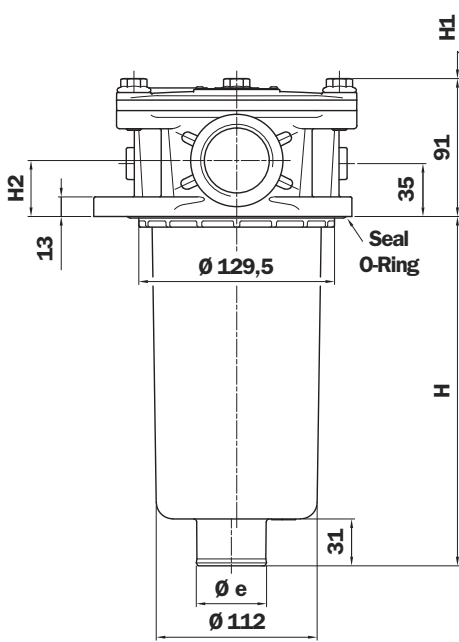
Double In Port  
Drain Port  
Option: Indicator Port



Double In Port  
Double Drain Port

# MPF 181 - 191

# MPF 182 - 192



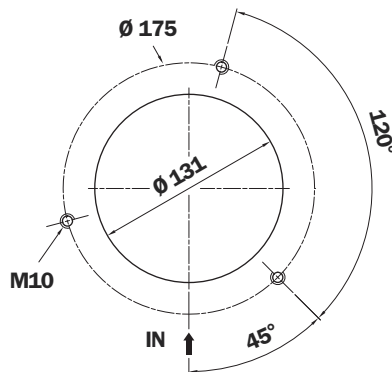
2 option holes on the tank

MPF	Filter Length	H mm	H1 mm	Ø e mm
181 - 182	1	233	255	47
	2	445	475	47
191 - 192	2	445	475	50

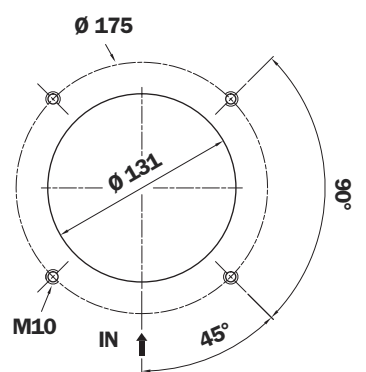
## MPF 181 - 191 Thread connections A

Type 1	T	Type 2	T	A	H2
G1	Indicator port not machined	C1	G 1/8"	G 1 1/4"	35
G4		C4	1/8" NPT	1 1/4" NPT	35
G7		C7	1/8" NPT	SAE 20 - 1 5/8" - 12 UN	35
G2		C2	G 1/8"	G 1 1/2"	37
G5		C5	1/8" NPT	1 1/2" NPT	37
G8		C8	1/8" NPT	SAE 24 - 1 7/8" - 12 UN	37

## 3 holes assembly



## 4 holes assembly



## MPF 182 - 192 Thread connections A

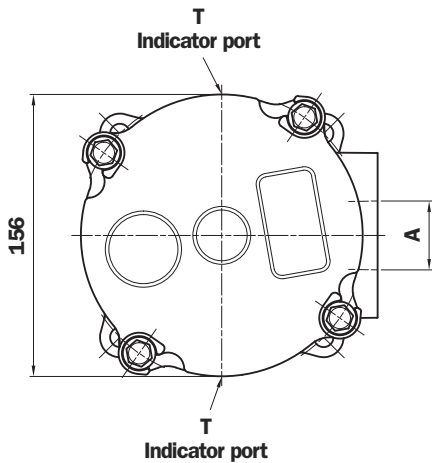
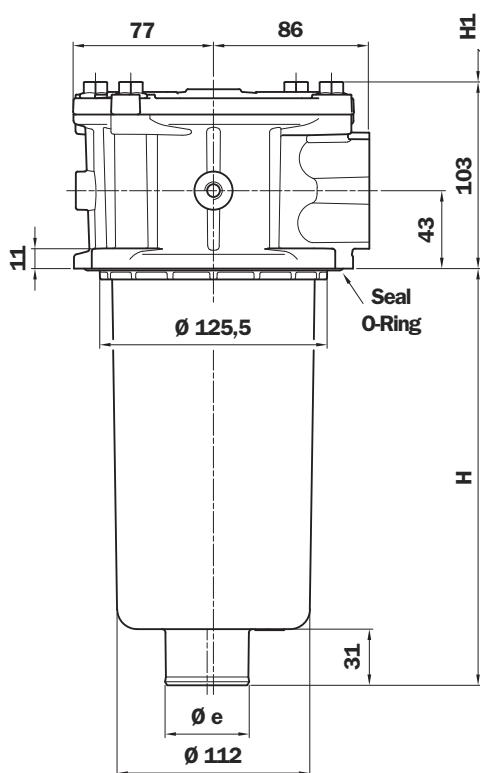
Type 1	T	Type 2	T	A	H2
G1	Ind. port not mach.	C1	G 1/8"	G 1 1/4"	35
G4		C4	1/8" NPT	1 1/4" NPT	35
G7		C7	1/8" NPT	SAE 20 - 1 5/8" - 12 UN	35

Thread connections A	Thread connections B (only for MPF 182 - 192)	
	1	2
G1 - C1	G 1/2"	G 3/4"
G4 - C4	1/2 NPT	3/4" NPT
G7 - C7	SAE 8 - 3/4" - 16 UNF	SAE 12 - 1 1/16" - 12 UN

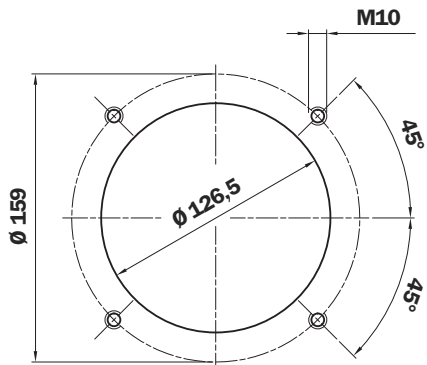
T indicator port  
G 1/4" - 1/4" NPT  
ON REQUEST

# MPF 184 - 194

1 connection port



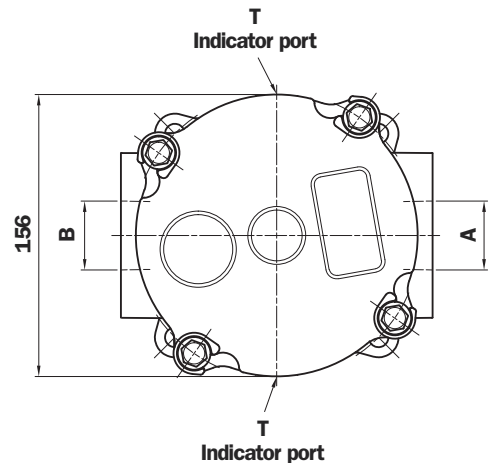
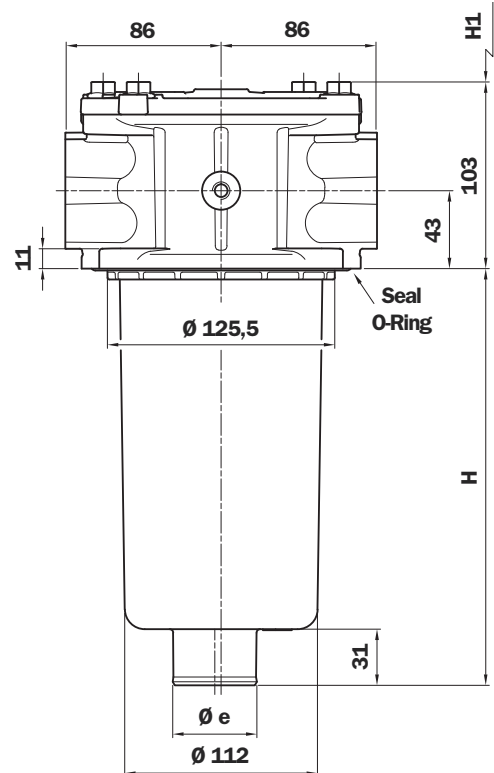
### Holes on the tank



MPF	Filter Length	H mm	H1 mm	Ø e mm
184	1	230	260	47
	2	442	480	47
194	2	441	480	50

# MPF 184 - 194

2 connection port



### Thread connections

Type	A		T
G1	G 1 1/4"	-	G 1/8"
G13	G 1 1/2"	-	G 1/8"
G4	1 1/4" NPT	-	1/8" NPT
G15	1 1/2" NPT	-	1/8" NPT
G7	SAE 20 - 1 5/8" - 12 UN	-	1/8" NPT
G10	SAE 24 - 1 7/8" - 12 UN	-	1/8" NPT

Type	A	B	T
G2	G 1 1/4"	G 1 1/4"	G 1/8"
G14	G 1 1/2"	G 1 1/4"	G 1/8"
G5	1 1/4" NPT	1 1/4" NPT	1/8" NPT
G16	1 1/2" NPT	1 1/4" NPT	1/8" NPT
G8	SAE 20 - 1 5/8" - 12 UN	SAE 20 - 1 5/8" - 12 UN	1/8" NPT
G11	SAE 24 - 1 7/8" - 12 UN	SAE 20 - 1 5/8" - 12 UN	1/8" NPT

### Flange connections\*

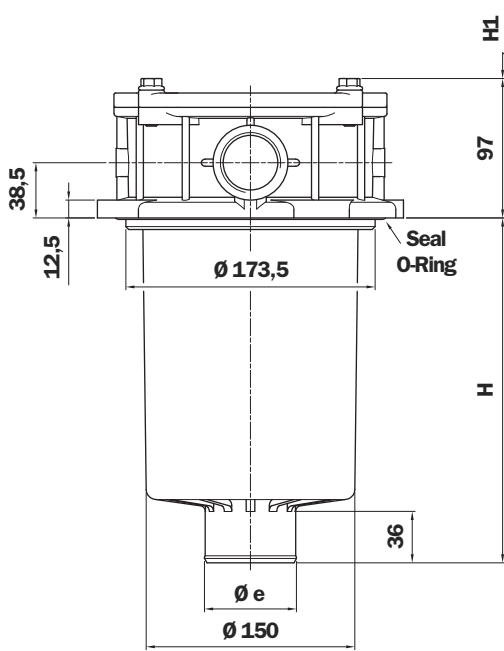
Type	A		T
F1	1 1/2" SAE 3000 psi/M	-	G 1/8"
F2	1 1/2" SAE 3000 psi/UNC	-	1/8" NPT

Type	A	B	T
F3	1 1/2" SAE 3000 psi/M	1 1/2" SAE 3000 psi/M	G 1/8"
F4	1 1/2" SAE 3000 psi/UNC	1 1/2" SAE 3000 psi/UNC	1/8" NPT

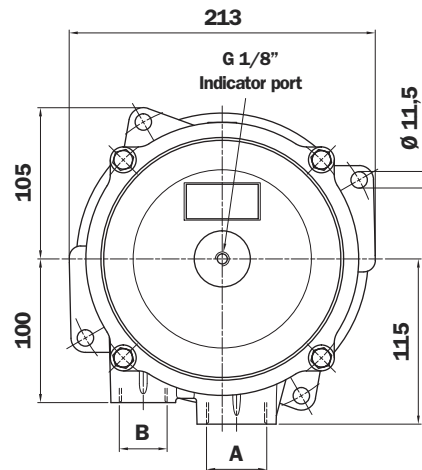
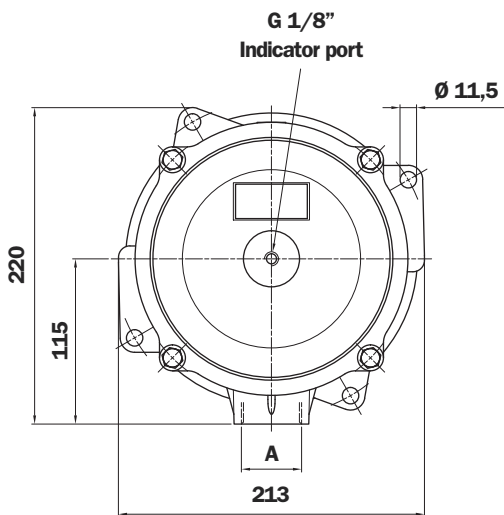
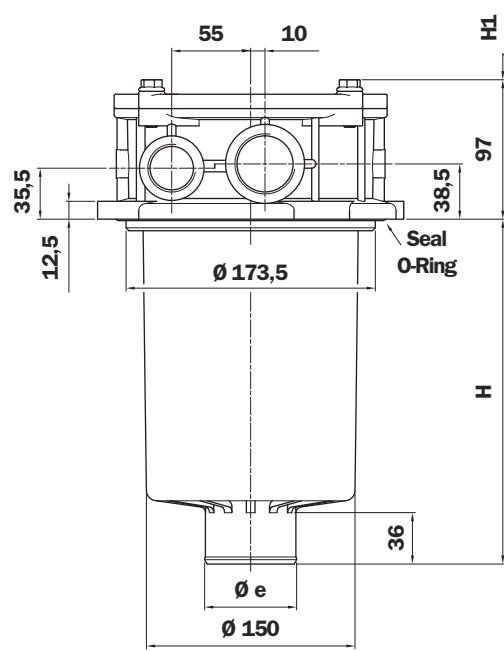
\*Connections table "DN - SAE flange" see page 39



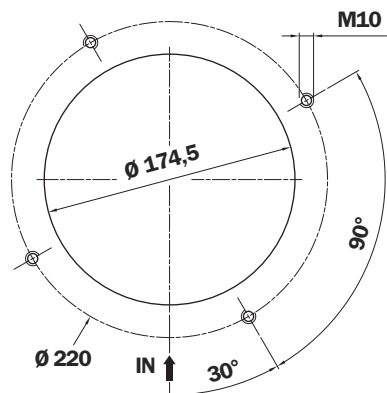
# MPF 400



# MPF 410



## Holes on the tank



## MPF 400 Thread connections

Type	A
G1	G 1 1/4"
G2	G 1 1/2"
G3	G 2"
G4	1 1/4" NPT
G5	1 1/2" NPT
G6	2" NPT
G7	SAE 20 - 1 5/8" - 12 UN
G8	SAE 24 - 1 7/8" - 12 UN
G9	SAE 32 - 2 1/2" - 12 UN

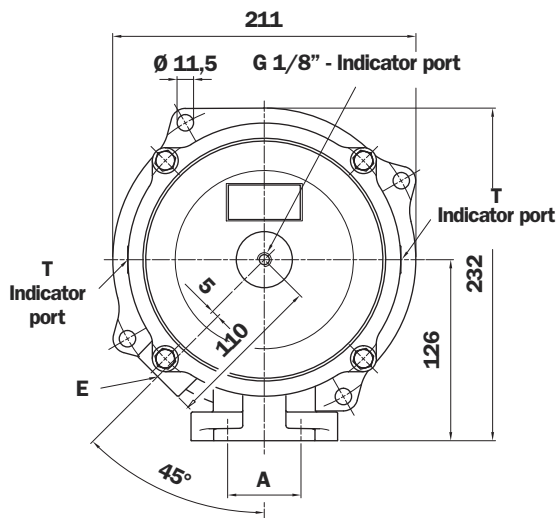
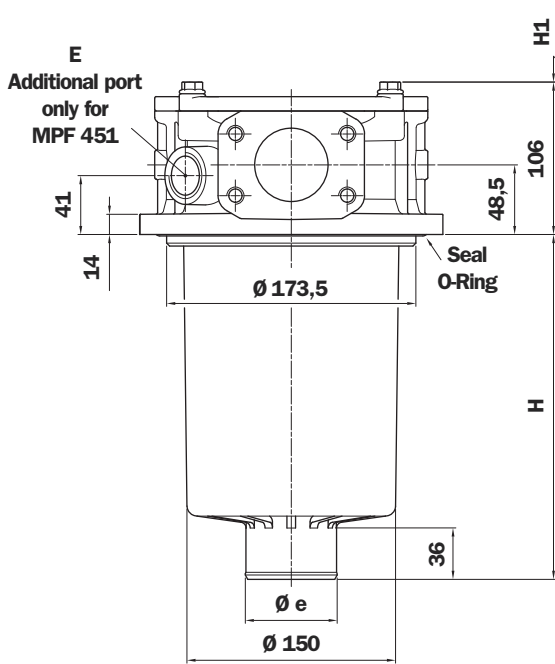
## MPF 400 - 410

Filter Length	H mm	H1 mm	Ø e mm
1	180	210	51
2	240	270	64
3	290	315	64

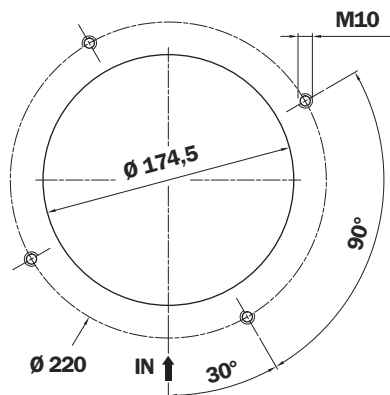
## MPF 410 Thread connections

Type	A	B
G1	G 1 1/4"	G 1"
G4	1 1/4" NPT	1" NPT
G7	SAE 20 - 1 5/8" - 12 UN	SAE 16 - 1 5/16" - 12 UN

# MPF 450 - 451



## Holes on the tank



### MPF 450 - 451

Filter Length	H mm	H1 mm	Ø e mm
1	180	210	51
2	240	270	64
3	290	315	64

### MPF 450 - 451 Thread connections

Type	A	E <sup>(1)</sup>	T
G1	G 2"	G 3/4"	G 1/8"
G4	2" NPT	3/4" NPT	1/8" NPT
G7	SAE 32-2 1/2" - 12 UN	SAE 12	1/8" NPT

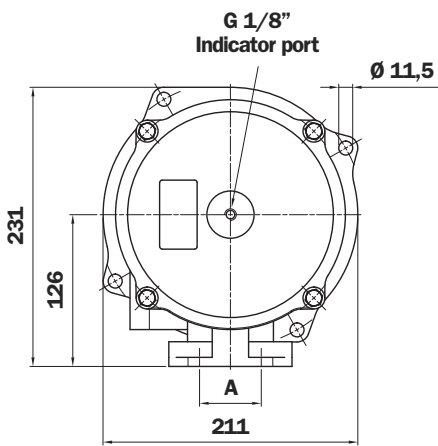
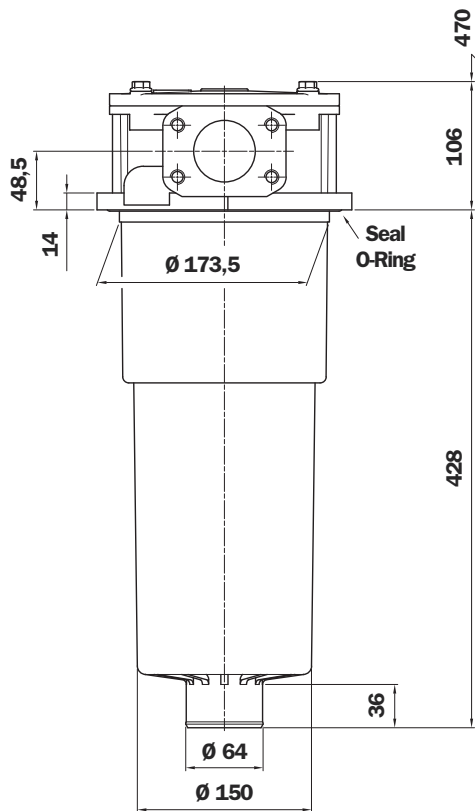
### MPF 450 - 451<sup>(2)</sup> Flange connections

Type	A	E <sup>(1)</sup>	T
F1	2" SAE 3000 psi/M	G 3/4"	G 1/8"
F2	2" SAE 3000 psi/UNC	3/4" NPT	1/8" NPT

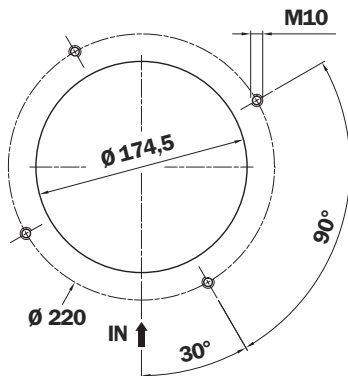
(1) Additional port only for MPF 451

(2) Connections table "DN - SAE flange" see page 39

# MPF 750



## Holes on the tank



### Thread connections

Type	A
G1	G 2"
G4	2" NPT
G7	SAE 32 - 2 1/2" - 12 UN

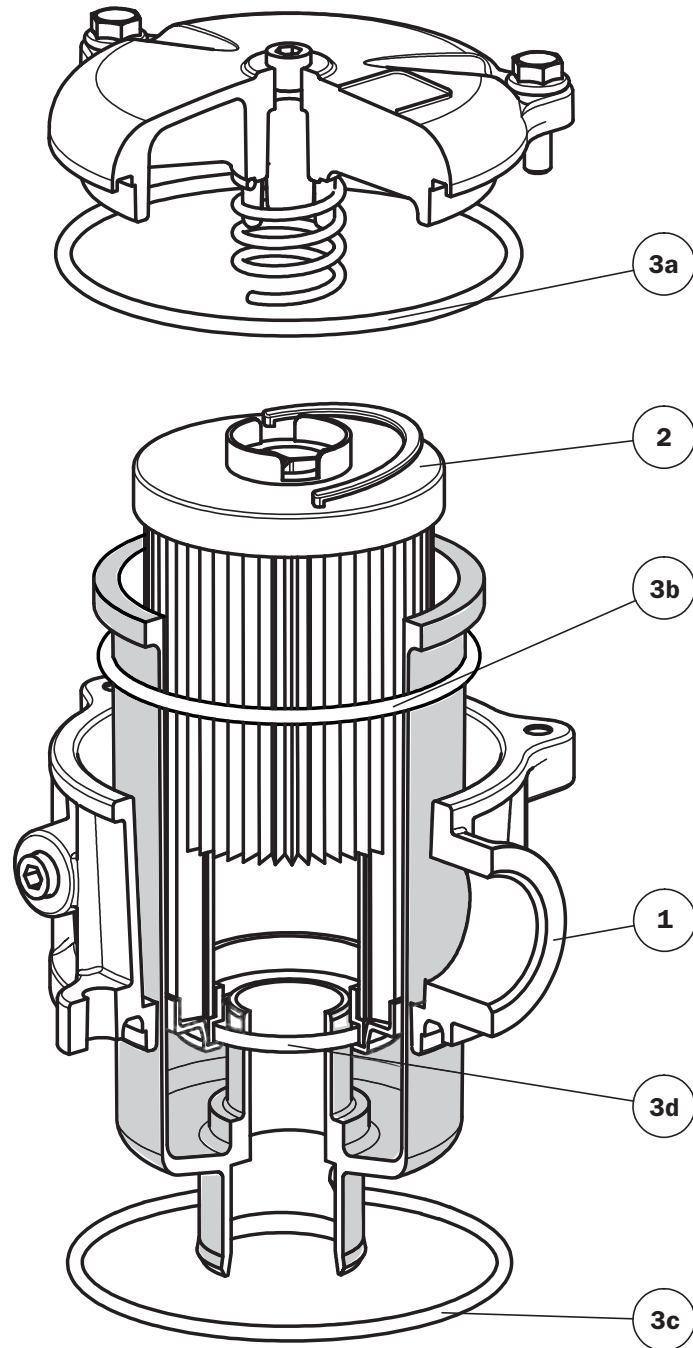
### Flange connections\*

Type	A
F1	2" SAE 3000 psi/M
F2	2" SAE 3000 psi/UNC

\*Connections table "DN - SAE flange" see page 39

Lined area for notes, consisting of numerous horizontal dotted lines.

# Spare parts



Item	Description	Q.ty	FILTER Series MPF							
			020		030		100 - 110		104	
1	Filter assembly	1	See order table							
2	Filter element	1	See order table							
3	Seal Kit	1	NBR 02050438	FPM 02050439	NBR 02050055	FPM 02050056	NBR 02050057	FPM 02050058	NBR 02050350	FPM 02050408
3a	Cover seal	1	O-R 174 Ø 71,44 x 3,53		O-R 174 Ø 71,44 x 3,53		O-R 4387 Ø 98,02 x 3,53		O-R 4387 Ø 98,02 x 3,53	
3b	Bowl seal	1	-		O-R 3225 Ø 56,82 x 2,62		O-R 4312 Ø 78,97 x 3,53		O-R 4312 Ø 78,97 x 3,53	
3c	Head seal	1	01026335	01026336	O-R 3275 Ø 69,52 x 2,62		O-R 6362 Ø 91,44 x 5,34		01026256	01026286
3d	Filter element seal	1	O-R 3093 Ø 23,47 x 2,62		O-R 3093 Ø 23,47 x 2,62		Length 1-2 O-R 4112 Ø 28,17 x 3,53 Length 3-4 O-R 4162 Ø 40,86 x 3,53		Length 1-2 O-R 4112 Ø 28,17 x 3,53 Length 3-4 O-R 4162 Ø 40,86 x 3,53	

Item	Description	Q.ty	FILTER Series MPF							
			181 - 182		184		191 - 192		194	
1	Filter assembly	1	See order table							
2	Filter element	1	See order table							
3	Seal Kit	1	NBR 02050059	FPM 02050060	NBR 02050455	FPM 02050456	NBR 02050457	FPM 02050458	NBR 02050459	FPM 02050460
3a	Cover seal	1	O-R 4537 Ø 136,10 x 3,53		O-R 4512 Ø 129,80 x 3,53		O-R 4537 Ø 136,10 x 3,53		O-R 4512 Ø 129,80 x 3,53	
3b	Bowl seal	1	O-R 4425 Ø 107,50 x 3,53		O-R 4425 Ø 107,50 x 3,53		O-R 4425 Ø 107,50 x 3,53		O-R 4425 Ø 107,50 x 3,53	
3c	Head seal	1	O-R 6535 Ø 135,89 x 5,34		O-R 210 Ø 133,40 x 5,34		O-R 6535 Ø 135,89 x 5,34		O-R 210 Ø 133,40 x 5,34	
3d	Filter element seal	1	O-R 4162 Ø 40,86 x 3,53		O-R 4162 Ø 40,86 x 3,53		O-R Metric Ø 50 x 4		O-R Metric Ø 50 x 4	

Item	Description	Q.ty	FILTER Series MPF					
			400 - 410		450 - 451		750	
1	Filter assembly	1	See order table					
2	Filter element	1	See order table					
3	Seal Kit	1	NBR 02050061	FPM 02050062	NBR 02050461	FPM 02050462	NBR 02050106	FPM 02050107
3a	Cover seal	1	O-R 4675 Ø 171 x 3,53		O-R 4675 Ø 171 x 3,53		O-R 4675 Ø 171 x 3,53	
3b	Bowl seal	1	O-R 221 Ø 149,20 x 5,34		O-R 221 Ø 149,20 x 5,34		O-R 221 Ø 149,20 x 5,34	
3c	Head seal	1	O-R 233 Ø 181 x 6,99		O-R 233 Ø 181 x 6,99		O-R 6720 Ø 183,51 x 5,34	
3d	Filter element seal	1	Length 1 O-R 155 Ø 50,80 x 3,53 Length 2-3 O-R 168 Ø 65,09 x 3,53	Length 1 O-R 155 Ø 50,80 x 3,53 Length 2-3 O-R 168 Ø 65,09 x 3,53		O-R 168 Ø 65,09 x 3,53		

# Ordering information MPF 020 - 030 - 104

## Filter assembly

### MPF

	<b>1</b>	<b>2</b>	<b>3</b>	<b>4</b>	<b>5</b>	<b>6</b>	<b>8</b>	<b>9</b>
	<input type="checkbox"/>	<input type="checkbox"/>	<input type="checkbox"/>	<input type="checkbox"/>	<input type="checkbox"/>	<input type="checkbox"/>	<input type="checkbox"/>	<input type="checkbox"/>
<b>Example 1: MPF</b>	<b>104</b>	<b>2</b>	<b>A</b>	<b>G3</b>	<b>A06</b>	<b>H</b>	<b>E</b>	<b>P01</b>
<b>Example 2: MPF</b>	<b>030</b>	<b>1</b>	<b>A</b>	<b>G1</b>	<b>A10</b>	<b>H</b>	<b>B</b>	<b>P01</b>

## Filter element

### MF

	<b>1</b>	<b>2</b>	<b>5</b>	<b>6</b>	<b>7</b>	<b>8</b>	<b>9</b>
	<input type="checkbox"/>	<input type="checkbox"/>	<input type="checkbox"/>	<input type="checkbox"/>	<input type="checkbox"/>	<input type="checkbox"/>	<input type="checkbox"/>
<b>Example 1: MF</b>	<b>100</b>	<b>2</b>	<b>A06</b>	<b>H</b>	<b>B</b>	<b>E</b>	<b>P01</b>
<b>Example 2: MF</b>	<b>030</b>	<b>1</b>	<b>A10</b>	<b>H</b>	<b>B</b>		<b>P01</b>

### 1 - Style

Filter	Filter element
<input type="checkbox"/> 020	<input type="checkbox"/> 030
<input type="checkbox"/> 030	<input type="checkbox"/> 030
<input type="checkbox"/> 104	<input type="checkbox"/> 100

### 2 - Filter length

<input type="checkbox"/> 020	<input type="checkbox"/> 1				
<input type="checkbox"/> 030	<input type="checkbox"/> 1				
<input type="checkbox"/> 104	<input type="checkbox"/> 1	<input type="checkbox"/> 2	<input type="checkbox"/> 3	<input type="checkbox"/> 4	

### 3 - Filter seals & Treatment

<input type="checkbox"/> <b>A</b>	NBR
<input type="checkbox"/> <b>V</b>	FPM
<input type="checkbox"/> <b>W*</b>	NBR, head anodized
<input type="checkbox"/> <b>Z*</b>	FPM, head anodized

### 4 - Connections

#### MPF 020

Type	A
<b>P1</b>	Hose barb - Ø 12

#### MPF 030

Type	A
<b>G1</b>	G 1/2"
<b>G4</b>	1/2" NPT
<b>G7</b>	SAE 8 - 3/4" - 16 UNF

#### MPF 104

Type 1	T	Type 2	T	A
<b>G1</b>	Indicator port not machined	<b>C1</b>	G 1/8"	G 1/2"
<b>G2</b>		<b>C2</b>	G 1/8"	G 3/4"
<b>G3</b>		<b>C3</b>	G 1/8"	G 1"
<b>G4</b>		<b>C4</b>	1/8" NPT	1/2" NPT
<b>G5</b>		<b>C5</b>	1/8" NPT	3/4" NPT
<b>G6</b>		<b>C6</b>	1/8" NPT	1" NPT
<b>G7</b>		<b>C7</b>	1/8" NPT	SAE 8 - 3/4" - 16 UNF
<b>G8</b>		<b>C8</b>	1/8" NPT	SAE 12 - 1 1/16" - 12 UN
<b>G9</b>		<b>C9</b>	1/8" NPT	SAE 16 - 1 5/16" - 12 UN

### 5 - Filter element

<input type="checkbox"/> <b>A03</b>	Inorganic microfibre 3 µm	Absolute filtration Inorganic Microfibre βx (c) ≥ 1000
<input type="checkbox"/> <b>A06</b>	Inorganic microfibre 6 µm	
<input type="checkbox"/> <b>A10</b>	Inorganic microfibre 10 µm	
<input type="checkbox"/> <b>A16</b>	Inorganic microfibre 16 µm	
<input type="checkbox"/> <b>A25</b>	Inorganic microfibre 25 µm	
<input type="checkbox"/> <b>M25</b>	Wire mesh 25 µm	Nominal Filtration
<input type="checkbox"/> <b>M60</b>	Wire mesh 60 µm	
<input type="checkbox"/> <b>M90</b>	Wire mesh 90 µm	
<input type="checkbox"/> <b>P10</b>	Resin - Impregnated paper	Nominal Filtration
<input type="checkbox"/> <b>P25</b>	Resin - Impregnated paper	

### 6 - Δp Filter element

<input type="checkbox"/> <b>N</b>	Δp 10 bar (only for filter element type Pxx and Mxx)
<input type="checkbox"/> <b>H</b>	Δp 10 bar (only for filter element type Axx)
<input type="checkbox"/> <b>W*</b>	Δp 10 bar (only for filter element type Axx and Mxx)

### 7 - Filter element seals

<input type="checkbox"/> <b>B</b>	NBR
<input type="checkbox"/> <b>V</b>	FPM

### 8 - By-pass valve

<input type="checkbox"/> <b>E</b>	3 bar
<input type="checkbox"/> <b>B</b>	1.75 bar (omit in the element code - only for 1.75 bar)

### 9 - Option

<input type="checkbox"/> <b>P01</b>	MP Filtri standard
-------------------------------------	--------------------

\* **Compatible with fluid HFA, HFB, HFC**

**For Clogging Indicator:**  
See page 318

**MP Filtri** - The filter functions as described in this bulletin are valid exclusively for original MP Filtri filter elements and replacement parts. All rights reserved.

The data in this publication are purely guideline. MP Filtri reserves the right to make changes to the models described herein at any time it deems fit in relation to technical or commercial requirements. The colours of the products shown on the cover are purely guideline. Copyright. All rights reserved.

# Ordering information MPF 100 - 110

## Filter assembly

### MPF

	<b>1</b>	<b>2</b>	<b>3</b>	<b>4</b>	<b>5</b>	<b>6</b>	<b>7</b>	<b>9</b>	<b>10</b>
	<input type="checkbox"/>	<input type="checkbox"/>	<input type="checkbox"/>	<input type="checkbox"/>	<input type="checkbox"/>	<input type="checkbox"/>	<input type="checkbox"/>	<input type="checkbox"/>	<input type="checkbox"/>
<b>Example 1: MPF</b>	<b>110</b>	<b>2</b>	<b>A</b>	<b>G3</b>	<b>1</b>	<b>A06</b>	<b>H</b>	<b>E</b>	<b>P01</b>
<b>Example 2: MPF</b>	<b>100</b>	<b>1</b>	<b>W</b>	<b>G1</b>		<b>A10</b>	<b>W</b>	<b>B</b>	<b>P01</b>

## Filter element

### MF

	<b>1</b>	<b>2</b>	<b>6</b>	<b>7</b>	<b>8</b>	<b>9</b>	<b>10</b>
	<input type="checkbox"/>	<input type="checkbox"/>	<input type="checkbox"/>	<input type="checkbox"/>	<input type="checkbox"/>	<input type="checkbox"/>	<input type="checkbox"/>
<b>Example 1: MF</b>	<b>100</b>	<b>2</b>	<b>A06</b>	<b>H</b>	<b>B</b>	<b>E</b>	<b>P01</b>
<b>Example 2: MF</b>	<b>100</b>	<b>1</b>	<b>A10</b>	<b>W</b>	<b>B</b>		<b>P01</b>

### 1 - Style

Filter	Filter element
<b>100</b>	<b>100</b>
<b>110</b>	<b>100</b>

### 2 - Filter length

<b>100</b>	<b>1</b>	<b>2</b>	<b>3</b>	<b>4</b>
<b>110</b>	<b>1</b>	<b>2</b>	<b>3</b>	<b>4</b>

### 3 - Filter seals & Treatment

<b>A</b>	NBR
<b>V</b>	FPM
<b>W*</b>	NBR, head anodized
<b>Z*</b>	FPM, head anodized

### 4 - Connections A

#### MPF 100

Type 1	T	Type 2	T	A
<b>G1</b>	Indicator port not machined	<b>C1</b>	G 1/8"	G 1/2"
<b>G2</b>		<b>C2</b>	G 1/8"	G 3/4"
<b>G3</b>		<b>C3</b>	G 1/8"	G 1"
<b>G10</b>		<b>C10</b>	G 1/8"	G 1 1/4"
<b>G4</b>		<b>C4</b>	1/8" NPT	1/2" NPT
<b>G5</b>		<b>C5</b>	1/8" NPT	3/4" NPT
<b>G6</b>		<b>C6</b>	1/8" NPT	1" NPT
<b>G11</b>		<b>C11</b>	1/8" NPT	1 1/4" NPT
<b>G7</b>		<b>C7</b>	1/8" NPT	SAE 8-3/4" - 16 UNF
<b>G8</b>		<b>C8</b>	1/8" NPT	SAE 12-1 1/16" - 12 UN
<b>G9</b>		<b>C9</b>	1/8" NPT	SAE 16-1 5/16" - 12 UN
<b>G12</b>		<b>C12</b>	1/8" NPT	SAE 20-1 5/8" - 12 UN

#### MPF 110

Type	T	A
<b>G1</b>	G 1/8"	G 1/2"
<b>G2</b>	G 1/8"	G 3/4"
<b>G3</b>	G 1/8"	G 1"
<b>G10</b>	G 1/8"	G 1 1/4"
<b>G4</b>	1/8" NPT	1/2" NPT
<b>G5</b>	1/8" NPT	3/4" NPT
<b>G6</b>	1/8" NPT	1" NPT
<b>G11</b>	1/8" NPT	1 1/4" NPT
<b>G7</b>	1/8" NPT	SAE 8-3/4" - 16 UNF
<b>G8</b>	1/8" NPT	SAE 12-1 1/16" - 12 UN
<b>G9</b>	1/8" NPT	SAE 16-1 5/16" - 12 UN
<b>G12</b>	1/8" NPT	SAE 20-1 5/8" - 12 UN

### 5 - Connections B (only for MPF 110)

Type	Connections A		
	G1 - G2 - G3 - G10	G4 - G5 - G6 - G11	G7 - G8 - G9 - G12
<b>1</b>	G 3/8"	3/8" NPT	SAE 6-9/16" 18 UNF
<b>2</b>	G 1/2"	1/2" NPT	SAE 8-3/4" 16 UNF

### 6 - Filter element

<b>A03</b>	Inorganic microfibre	3 µm	Absolute filtration Inorganic Microfibre βx (c) ≥ 1000
<b>A06</b>	Inorganic microfibre	6 µm	
<b>A10</b>	Inorganic microfibre	10 µm	
<b>A16</b>	Inorganic microfibre	16 µm	
<b>A25</b>	Inorganic microfibre	25 µm	
<b>M25</b>	Wire mesh	25 µm	Nominal Filtration
<b>M60</b>	Wire mesh	60 µm	
<b>M90</b>	Wire mesh	90 µm	
<b>P10</b>	Resin - Impregnated paper		Nominal Filtration
<b>P25</b>	Resin - Impregnated paper		

### 7 - Δp Filter element

<b>N</b>	Δp 10 bar (only for filter element type Pxx and Mxx)
<b>H</b>	Δp 10 bar (only for filter element type Axx)
<b>W*</b>	Δp 10 bar (only for filter element type Axx and Mxx)

### 8 - Filter element seals

<b>B</b>	NBR
<b>V</b>	FPM

### 9 - By-pass valve

<b>E</b>	3 bar
<b>B</b>	1.75 bar (omit in the element code - only for 1.75 bar)

### 10 - Option

<b>P01</b>	MP Filtri standard
------------	--------------------

\* Compatible with fluid HFA, HFB, HFC

**For Clogging Indicator:**  
See page 318

**MP Filtri** - The filter functions as described in this bulletin are valid exclusively for original MP Filtri filter elements and replacement parts. All rights reserved.

The data in this publication are purely guideline. MP Filtri reserves the right to make changes to the models described herein at any time it deems fit in relation to technical or commercial requirements. The colours of the products shown on the cover are purely guideline. Copyright. All rights reserved.



# Ordering information NEW MPF 181-182-191-192

<b>Filter assembly</b>	<b>1</b>	<b>2</b>	<b>3</b>	<b>4</b>	<b>5</b>	<b>6</b>	<b>7</b>	<b>9</b>	<b>10 a</b>
<b>MPF</b>	<input type="checkbox"/>	<input type="checkbox"/>	<input type="checkbox"/>	<input type="checkbox"/>	<input type="checkbox"/>	<input type="checkbox"/>	<input type="checkbox"/>	<input type="checkbox"/>	<input type="checkbox"/>

<b>Example 1: MPF</b>	<b>181</b>	<b>1</b>	<b>A</b>	<b>G2</b>		<b>A06</b>	<b>H</b>	<b>E</b>	<b>P01</b>
<b>Example 2: MPF</b>	<b>192</b>	<b>2</b>	<b>A</b>	<b>G1</b>	<b>2</b>	<b>P10</b>	<b>N</b>	<b>B</b>	<b>P01</b>

<b>Filter element</b>	<b>1</b>	<b>2</b>	<b>6</b>	<b>7</b>	<b>8</b>	<b>9</b>	<b>10b</b>
<b>MF</b>	<input type="checkbox"/>	<input type="checkbox"/>	<input type="checkbox"/>	<input type="checkbox"/>	<input type="checkbox"/>	<input type="checkbox"/>	<input type="checkbox"/>

<b>Example 1: MF</b>	<b>180</b>	<b>1</b>	<b>A06</b>	<b>H</b>	<b>B</b>	<b>E</b>	<b>P01</b>
<b>Example 2: MF</b>	<b>190</b>	<b>2</b>	<b>P10</b>	<b>N</b>	<b>B</b>		<b>P01</b>

## 1 - Style

Filter	Filter element
<b>181</b>	<b>180</b>
<b>182</b>	<b>180</b>
<b>191</b>	<b>190</b>
<b>192</b>	<b>190</b>

## 2 - Filter length

<b>181</b>	<b>1</b>	<b>2</b>
<b>182</b>	<b>1</b>	<b>2</b>
<b>191</b>		<b>2</b>
<b>192</b>		<b>2</b>

## 3 - Filter seals & Treatment

<b>A</b>	NBR
<b>V</b>	FPM
<b>W*</b>	NBR, head anodized
<b>Z*</b>	FPM, head anodized
<b>B</b>	NBR, flat seal on head
<b>D</b>	FPM, flat seal on head
<b>L</b>	NBR, flat seal on head, head anodized
<b>M</b>	FPM, flat seal on head, head anodized

## 4 - Connections A

### MPF 181 - 191

Type 1	T	Type 2	T	A
<b>G1</b>	Indicator port not machined	<b>C1</b>	G 1/8"	G 1 1/4"
<b>G4</b>		<b>C4</b>	1/8" NPT	1 1/4" NPT
<b>G7</b>		<b>C7</b>	1/8" NPT	SAE 20 - 1 5/8" - 12 UN
<b>G2</b>		<b>C2</b>	G 1/8"	G 1 1/2"
<b>G5</b>		<b>C5</b>	1/8" NPT	1 1/2" NPT
<b>G8</b>		<b>C8</b>	1/8" NPT	SAE 24 - 1 7/8" - 12 UN

### MPF 182 - 192

Type 1	T	Type 2	T	A
<b>G1</b>	Ind. port not mach.	<b>C1</b>	G 1/8"	G 1 1/4"
<b>G4</b>		<b>C4</b>	1/8" NPT	1 1/4" NPT
<b>G7</b>		<b>C7</b>	1/8" NPT	SAE 20 - 1 5/8" - 12 UN

## 5 - Connections B (only for MPF 182 - 192)

Type	Connections A		
	G1 - C1	G4 - C4	G7 - C7
<b>1</b>	G 1/2"	1/2" NPT	SAE 8 - 3/4" - 18 UNF
<b>2</b>	G 3/4"	3/4" NPT	SAE 12 - 1 1/16" - 12 UN

## 6 - Filter element

<b>A03</b>	Inorganic microfibre	3 µm	Absolute filtration Inorganic Microfibre  βx (c) ≥ 1000
<b>A06</b>	Inorganic microfibre	6 µm	
<b>A10</b>	Inorganic microfibre	10 µm	
<b>A16</b>	Inorganic microfibre	16 µm	
<b>A25</b>	Inorganic microfibre	25 µm	
<b>M25</b>	Wire mesh	25 µm	Nominal Filtration
<b>M60</b>	Wire mesh	60 µm	
<b>M90</b>	Wire mesh	90 µm	
<b>P10</b>	Resin - Impregnated paper		Nominal Filtration
<b>P25</b>	Resin - Impregnated paper		

## 7 - Δp Filter element

<b>N</b>	Δp 10 bar (only for filter element type Pxx and Mxx)
<b>H</b>	Δp 10 bar (only for filter element type Axx)
<b>W*</b>	Δp 10 bar (only for filter element type Axx and Mxx)

## 8 - Filter element seals

<b>B</b>	NBR
<b>V</b>	FPM

## 9 - By-pass valve

<b>E</b>	3 bar
<b>B</b>	1.75 bar (omit in the element code - only for 1.75 bar)

## 10 - Option

<b>a) Filter</b>	
<b>P01</b>	MP Filtri standard
<b>Sxx</b>	Filter assembly with steel extension tube mounted (only for MPF 191-192)
<b>b) Filter element</b>	
<b>P01</b>	MP Filtri standard

\* Compatible with fluid HFA, HFB, HFC

**For Clogging Indicator:**  
See page 318

**MP Filtri** - The filter functions as described in this bulletin are valid exclusively for original MP Filtri filter elements and replacement parts. All rights reserved.

The data in this publication are purely guideline. MP Filtri reserves the right to make changes to the models described herein at any time it deems fit in relation to technical or commercial requirements. The colours of the products shown on the cover are purely guideline. Copyright. All rights reserved.

# Ordering information MPF 184 - 194

## Filter assembly MPF

	<b>1</b>	<b>2</b>	<b>3</b>	<b>4</b>	<b>5</b>	<b>6</b>	<b>8</b>	<b>9 a</b>
	<input type="checkbox"/>	<input type="checkbox"/>	<input type="checkbox"/>	<input type="checkbox"/>	<input type="checkbox"/>	<input type="checkbox"/>	<input type="checkbox"/>	<input type="checkbox"/>
<b>Example: MPF</b>	<b>184</b>	<b>2</b>	<b>A</b>	<b>G2</b>	<b>A06</b>	<b>H</b>	<b>E</b>	<b>P01</b>

## Filter element MF

	<b>1</b>	<b>2</b>	<b>5</b>	<b>6</b>	<b>7</b>	<b>8</b>	<b>9b</b>
	<input type="checkbox"/>	<input type="checkbox"/>	<input type="checkbox"/>	<input type="checkbox"/>	<input type="checkbox"/>	<input type="checkbox"/>	<input type="checkbox"/>
<b>Example: MF</b>	<b>180</b>	<b>2</b>	<b>A06</b>	<b>H</b>	<b>B</b>	<b>E</b>	<b>P01</b>

### 1 - Style

Filter	Filter element
<b>184</b>	<b>180</b>
<b>194</b>	<b>190</b>

### 2 - Filter length

<b>184</b>	<b>1</b>	<b>2</b>
<b>194</b>		<b>2</b>

### 3 - Filter seals & Treatment

<b>A</b>	NBR
<b>V</b>	FPM
<b>W*</b>	NBR, head anodized
<b>Z*</b>	FPM, head anodized

### 4 - Connections

#### MPF 184 - 194

Type	A	B
<b>G1</b>	G 1 1/4"	-
<b>G13</b>	G 1 1/2"	-
<b>G4</b>	1 1/4" NPT	-
<b>G15</b>	1 1/2" NPT	-
<b>G7</b>	SAE 20 - 1 5/8" - 12 UN	-
<b>G10</b>	SAE 24 - 1 7/8" - 12 UN	-
<b>G2</b>	G 1 1/4"	G 1 1/4"
<b>G14</b>	G 1 1/2"	G 1 1/4"
<b>G5</b>	1 1/4" NPT	1 1/4" NPT
<b>G16</b>	1 1/2" NPT	1 1/4" NPT
<b>G8</b>	SAE 20 - 1 5/8" - 12 UN	SAE 20 - 1 5/8" - 12 UN
<b>G11</b>	SAE 24 - 1 7/8" - 12 UN	SAE 20 - 1 5/8" - 12 UN
<b>F1</b>	1 1/2" SAE 3000 psi/M	-
<b>F2</b>	1 1/2" SAE 3000 psi/UNC	-
<b>F3</b>	1 1/2" SAE 3000 psi/M	1 1/2" SAE 3000 psi/M
<b>F4</b>	1 1/2" SAE 3000 psi/UNC	1 1/2" SAE 3000 psi/UNC

### 5 - Filter element

<b>A03</b>	Inorganic microfibre 3 µm	Absolute filtration Inorganic Microfibre βx (c) ≥ 1000
<b>A06</b>	Inorganic microfibre 6 µm	
<b>A10</b>	Inorganic microfibre 10 µm	
<b>A16</b>	Inorganic microfibre 16 µm	
<b>A25</b>	Inorganic microfibre 25 µm	
<b>M25</b>	Wire mesh 25 µm	Nominal Filtration
<b>M60</b>	Wire mesh 60 µm	
<b>M90</b>	Wire mesh 90 µm	
<b>P10</b>	Resin - Impregnated paper	Nominal Filtration
<b>P25</b>	Resin - Impregnated paper	

### 6 - Δp Filter element

<b>N</b>	Δp 10 bar (only for filter element type Pxx and Mxx)
<b>H</b>	Δp 10 bar (only for filter element type Axx)
<b>W*</b>	Δp 10 bar (only for filter element type Axx and Mxx)

### 7 - Filter element seals

<b>B</b>	NBR
<b>V</b>	FPM

### 8 - By-pass valve

<b>E</b>	3 bar
<b>B</b>	1.75 bar (omit in the element code - only for 1.75 bar)

### 9 - Option

<b>a) Filter</b>	
<b>P01</b>	MP Filtri standard
<b>Sxx</b>	Filter assembly with steel extension tube mounted (only for MPF 194)
<b>b) Filter element</b>	
<b>P01</b>	MP Filtri standard

\* Compatible with fluid HFA, HFB, HFC

**For Clogging Indicator:**  
See page 318

**MP Filtri** - The filter functions as described in this bulletin are valid exclusively for original MP Filtri filter elements and replacement parts. All rights reserved.

The data in this publication are purely guideline. MP Filtri reserves the right to make changes to the models described herein at any time it deems fit in relation to technical or commercial requirements. The colours of the products shown on the cover are purely guideline. Copyright. All rights reserved.



# Ordering information MPF 400-410-450-451-750

## Filter assembly

### MPF

	<b>1</b>	<b>2</b>	<b>3</b>	<b>4a</b>	<b>4b</b>	<b>5</b>	<b>6</b>	<b>8</b>	<b>9 a</b>
	<input type="checkbox"/>	<input type="checkbox"/>	<input type="checkbox"/>	<input type="checkbox"/>	<input type="checkbox"/>	<input type="checkbox"/>	<input type="checkbox"/>	<input type="checkbox"/>	<input type="checkbox"/>
<b>Example 1: MPF</b>	<b>410</b>	<b>2</b>	<b>A</b>	<b>G2</b>	<b>1</b>	<b>A06</b>	<b>H</b>	<b>E</b>	<b>P01</b>
<b>Example 2: MPF</b>	<b>750</b>	<b>1</b>	<b>A</b>	<b>G4</b>	<b>-</b>	<b>P10</b>	<b>N</b>	<b>B</b>	<b>P01</b>

## Filter element

### MF

	<b>1</b>	<b>2</b>	<b>5</b>	<b>6</b>	<b>7</b>	<b>8</b>	<b>9b</b>
	<input type="checkbox"/>	<input type="checkbox"/>	<input type="checkbox"/>	<input type="checkbox"/>	<input type="checkbox"/>	<input type="checkbox"/>	<input type="checkbox"/>
<b>Example 1: MF</b>	<b>400</b>	<b>2</b>	<b>A06</b>	<b>H</b>	<b>B</b>	<b>E</b>	<b>P01</b>
<b>Example 2: MF</b>	<b>750</b>	<b>1</b>	<b>P10</b>	<b>N</b>	<b>B</b>	<b>-</b>	<b>P01</b>

### 1 - Style

Filter	Filter element
<input type="checkbox"/> 400	<input type="checkbox"/> 400
<input type="checkbox"/> 410	<input type="checkbox"/> 400
<input type="checkbox"/> 450	<input type="checkbox"/> 400
<input type="checkbox"/> 451	<input type="checkbox"/> 400
<input type="checkbox"/> 750	<input type="checkbox"/> 750

### 2 - Filter length

<input type="checkbox"/> 400	<input type="checkbox"/> 410	<input type="checkbox"/> 1	<input type="checkbox"/> 2	<input type="checkbox"/> 3
<input type="checkbox"/> 450	<input type="checkbox"/> 451	<input type="checkbox"/> 1	<input type="checkbox"/> 2	<input type="checkbox"/> 3
<input type="checkbox"/> 750		<input type="checkbox"/> 1		

### 3 - Filter seals & Treatment

<input type="checkbox"/> <b>A</b>	NBR
<input type="checkbox"/> <b>V</b>	FPM
<input type="checkbox"/> <b>W*</b>	NBR, head anodized
<input type="checkbox"/> <b>Z*</b>	FPM, head anodized

### 4a - Connections A

#### MPF 400

Type	A	Type	A
<b>G1</b>	G 1 1/4"	<b>G6</b>	2" NPT
<b>G2</b>	G 1 1/2"	<b>G7</b>	SAE 20 - 1 5/8" - 12 UN
<b>G3</b>	G 2"	<b>G8</b>	SAE 24 - 1 7/8" - 12 UN
<b>G4</b>	1 1/4" NPT	<b>G9</b>	SAE 32 - 2 1/2" - 12 UN
<b>G5</b>	1 1/2" NPT	-	-

#### MPF 410

Type	A
<b>G1</b>	G 1 1/4"
<b>G4</b>	1 1/4" NPT
<b>G7</b>	SAE 20 - 1 5/8" - 12 UN

#### MPF 450 - 451 - 750

Type	A	E(1)
<b>G1</b>	G 2"	G 3/4"
<b>G4</b>	2" NPT	3/4" NPT
<b>G7</b>	SAE 32 - 2 1/2" - 12 UN	SAE 12
<b>F1</b>	2" SAE 3000 psi/M	G 3/4"
<b>F2</b>	2" SAE 3000 psi/UNC	3/4" NPT

(1) Additional port only for MPF 451

### 4b - Connections B (only for MPF 410)

Type	Connections A		
	G1	G4	G7
<b>1</b>	1"	1" NPT	SAE 16 - 1 5/16" - 12 UN

### 5 - Filter element

<input type="checkbox"/> <b>A03</b>	Inorganic microfibre 3 µm	Absolute filtration Inorganic Microfibre βx (c) ≥ 1000
<input type="checkbox"/> <b>A06</b>	Inorganic microfibre 6 µm	
<input type="checkbox"/> <b>A10</b>	Inorganic microfibre 10 µm	
<input type="checkbox"/> <b>A16</b>	Inorganic microfibre 16 µm	
<input type="checkbox"/> <b>A25</b>	Inorganic microfibre 25 µm	
<input type="checkbox"/> <b>M25</b>	Wire mesh 25 µm	Nominal Filtration
<input type="checkbox"/> <b>M60</b>	Wire mesh 60 µm	
<input type="checkbox"/> <b>M90</b>	Wire mesh 90 µm	
<input type="checkbox"/> <b>P10</b>	Resin - Impregnated paper	Nominal Filtration
<input type="checkbox"/> <b>P25</b>	Resin - Impregnated paper	

### 6 - Δp Filter element

<input type="checkbox"/> <b>N</b>	Δp 10 bar (only for filter element type Pxx and Mxx)
<input type="checkbox"/> <b>H</b>	Δp 10 bar (only for filter element type Axx)
<input type="checkbox"/> <b>W*</b>	Δp 10 bar (only for filter element type Axx and Mxx)

### 7 - Filter element seals

<input type="checkbox"/> <b>B</b>	NBR
<input type="checkbox"/> <b>V</b>	FPM

### 8 - By-pass valve

<input type="checkbox"/> <b>E</b>	3 bar
<input type="checkbox"/> <b>B</b>	1.75 bar (omit in the element code - only for 1.75 bar)

### 9 - Option

#### a) Filter

<input type="checkbox"/> <b>P01</b>	MP Filtri standard
<input type="checkbox"/> <b>Sxx</b>	Filter assembly with steel extension tube mounted (only for MPF 400-410-450-451-750)

#### b) Filter element

<input type="checkbox"/> <b>P01</b>	MP Filtri standard
-------------------------------------	--------------------

\* Compatible with fluid HFA, HFB, HFC

**For Clogging Indicator:**  
See page 318

**MP Filtri** - The filter functions as described in this bulletin are valid exclusively for original MP Filtri filter elements and replacement parts. All rights reserved.

The data in this publication are purely guideline. MP Filtri reserves the right to make changes to the models described herein at any time it deems fit in relation to technical or commercial requirements. The colours of the products shown on the cover are purely guideline. Copyright. All rights reserved.