

# LMP 900 - 901

**Filter element in according to  
DIN 24550**

**Maximum pressure 30 bar  
Flow rates to 2000 l/min**



## Technical data

### Filter housing (Materials)

- Head: Anodized Aluminium
- Housing: Anodized Aluminium
- Manifolds: Anodized Aluminium
- Bypass valve: Steel

### Pressure

- Working pressure: 30 bar (3 MPa)
- Test pressure: 45 bar (4,5 MPa)
- Burst pressure: 120 bar (12 MPa)
- Pulse pressure fatigue test: 1.000.000 cycles with pressure from 0 to 30 bar (3 MPa)

### Temperature

- From -25 °C to +110 °C

### Bypass valve

- Opening pressure 3,5 bar ±10%
- Other opening pressures on request.

### Number of filter elements

- LMP 900-1: 1 filter element CU900
- LMP 900-2: 2 filter elements CU900

### Filter elements

- Filter element in according to with DIN 24550
- Size: 1000

### Δp Elements type

- Microfibre filter elements series N: 20 bar
- Fluid flow through the filter element from OUT to IN.

### Seals

- Standard NBR series A
- Optional FPM series V

### LMP 900 - 901 FILTERS ARE PROVIDED FOR VERTICAL MOUNTING

### Weights (kg)

Length	1	2
• LMP900	19,2	30,4

### Volumes (dm<sup>3</sup>)

Length	1	2
• LMP900	16	24

### Connections

- LMP 900: In-line Inlet/Outlet
- LMP 901: 90° Inlet/Outlet

### Recommended maximum flow rate

- Pressure drop of filter assembly equal to Δp 0,6 bar.
- Oil kinematic viscosity 30 mm<sup>2</sup>/s (cSt).
- Density 0,86 kg/dm<sup>3</sup>.

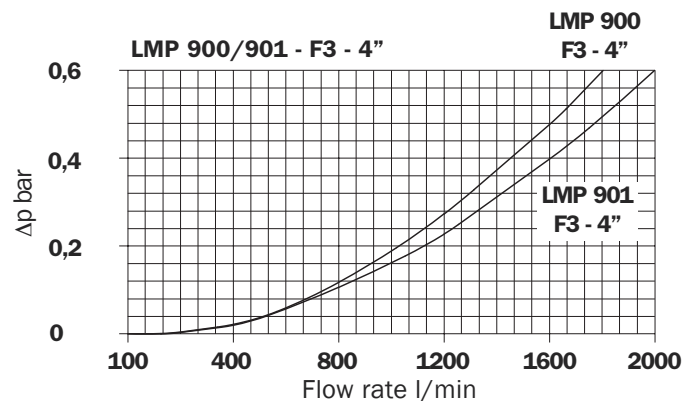
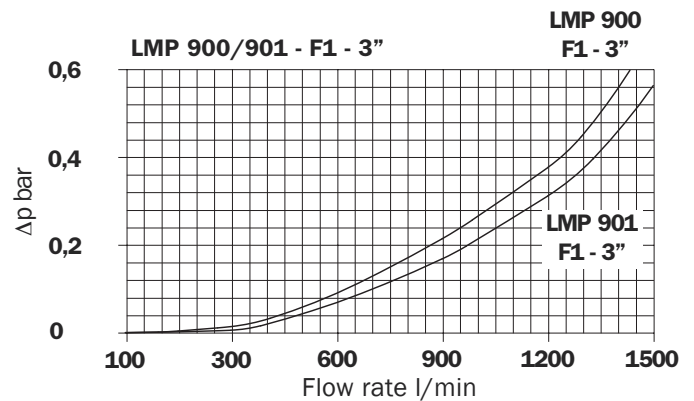
	Leng.	Filtration					
		A03	A06	A10	A16	A25	M25
<b>LMP 900</b>	1	600	750	1100	1150	1250	1500
Connection: Flange SAE 3000 3"	2	950	1100	1300	1350	1400	1500
<b>LMP 900</b>	1	650	800	1200	1250	1400	1900
Connection: Flange SAE 3000 4"	2	1000	1200	1550	1550	1650	2000

Flow rate l/min

### Filter housings Δp pressure drop

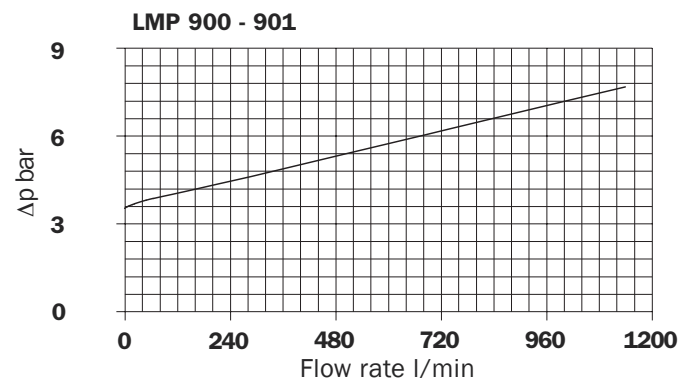
The curves are plotted utilising mineral oil with density of 0,86 kg/dm<sup>3</sup> to ISO 3968.

Δp varies proportionally with density.

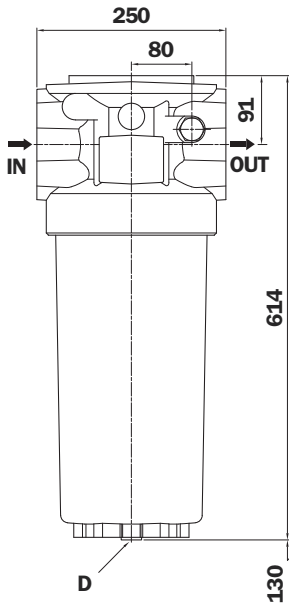


### Valves

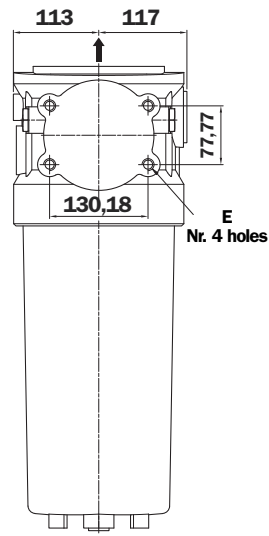
#### Bypass valve pressure drop



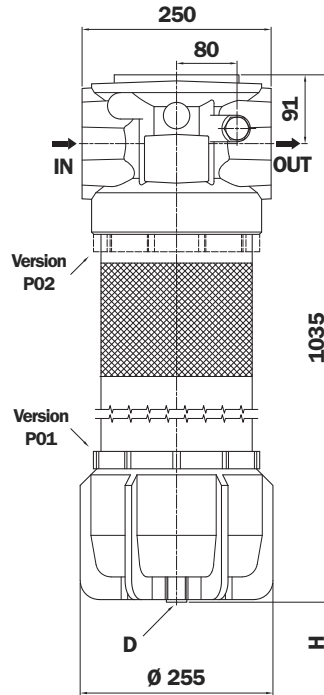
# LMP 900 (length 1)



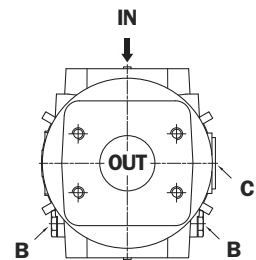
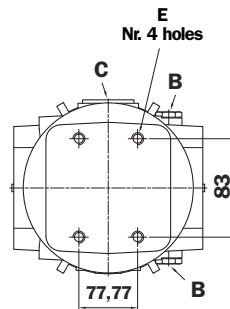
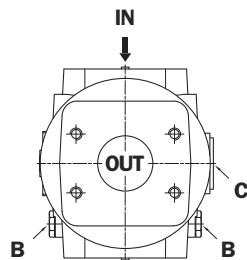
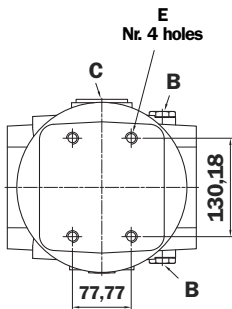
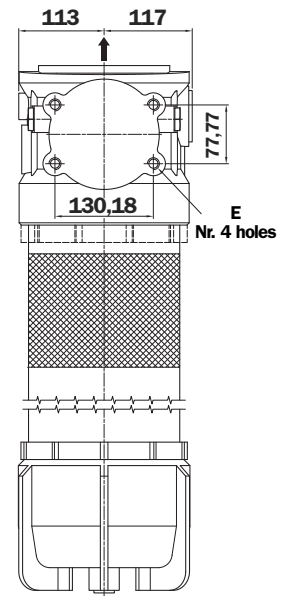
# LMP 901 (length 1)



# LMP 900 (length 2)



# LMP 901 (length 2)



## Option P02 for LMP 900 - 901



LMP 900 - 901 filters are equipped with two 1000 size cartridges in compliance with DIN 24550 standard, connected by means of a removable coupling spigot.

Coupling spigot

### LMP 900 - 901 (length 2)

Length Filter	H mm	
	P01	P02
2	130	800

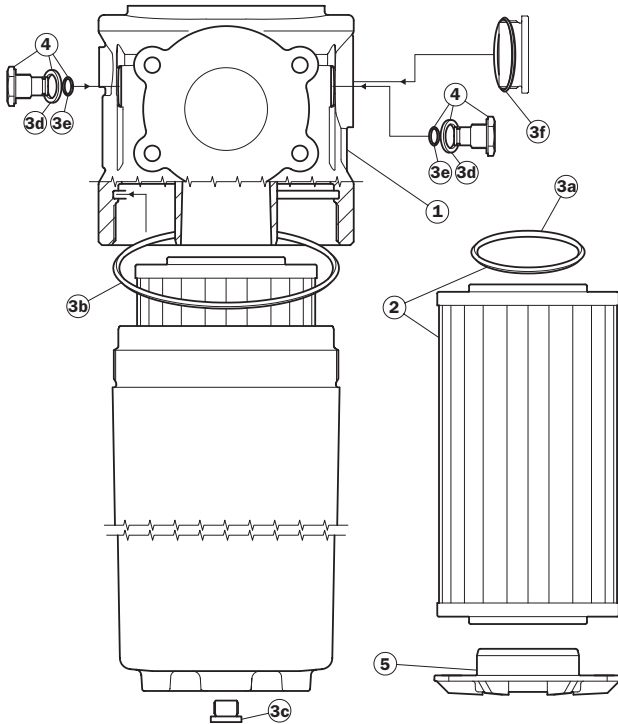
### Flange IN - OUT connections

Type	Size	E Depth 25 mm
F1	3" SAE 3000 psi/M	M16
F2	3" SAE 3000 psi/UNC	M16
F3	4" SAE 3000 psi/M	5/8" UNC
F4	4" SAE 3000 psi/UNC	5/8" UNC

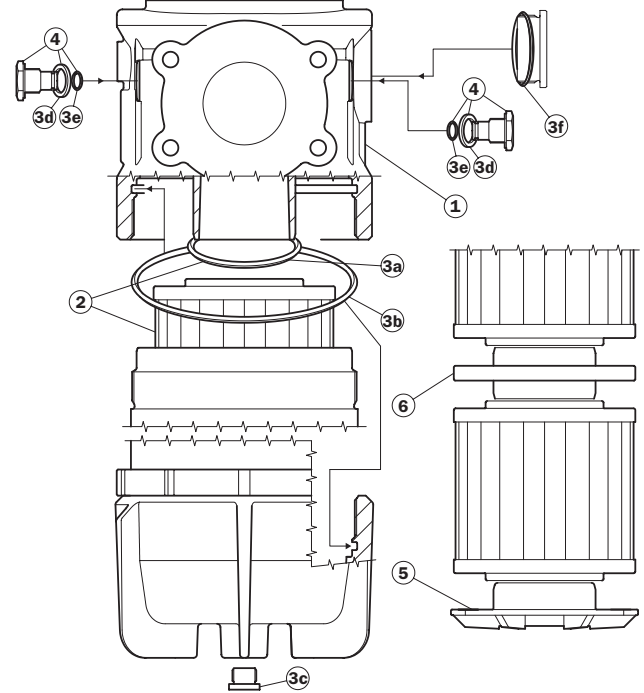
B	Indicator port Plug T2 - A/F 30
C	Bypass valve A/F 17
D	Oil drain plug G 1/2" - A/F 10

# Spare parts

**LMP 900 - 901**  
**Length 1**



**LMP 900 - 901**  
**Length 2**



Item	Description	Q.ty	FILTER Series			
			LMP 900 - 901 (length 1)		LMP 900 - 901 (length 2)	
1	Filter assembly	1	See order table			
2	Filter element	1	See order table			
3	Seal Kit	1	NBR 02050363	FPM 02050364	NBR 02050365	FPM 02050366
3a	Filter element O-Ring	2	O-R 185 Ø 89,69 x 5,33		O-R 185 Ø 89,69 x 5,33	
3b	O-Ring for housing	1	O-R 6745 Ø 189,86 x 5,34		O-R 6745 Ø 189,86 x 5,34	
3c	Drain plug	1	G 1/2" with seal		G 1/2" with seal	
3d	Seal	2	01030058 (HNBR)	01030046 (FPM)	01030058 (HNBR)	01030046 (FPM)
3e	O-Ring for indicator	2	O-R 2050 Ø 12,42 x 1,78		O-R 2050 Ø 12,42 x 1,78	
3f	Bypass plug O-Ring	1	O-R 3243 Ø 61,6 x 2,62		O-R 3243 Ø 61,6 x 2,62	
4	Indicator connection plug	2	T2H	T2V	T2H	T2V
5	Housing spigot	1	01044104		01044104	
6	Coupling spigot	1	010440990		010440990	

# Ordering information LMP 900 - 901

## Filter assembly LMP

	<b>1</b>	<b>2</b>	<b>3</b>	<b>4</b>	<b>5</b>	<b>6</b>	<b>7</b>	<b>8a</b>
	<input type="checkbox"/>	<input type="checkbox"/>	<input type="checkbox"/>	<input type="checkbox"/>	<input type="checkbox"/>	<input type="checkbox"/>	<input type="checkbox"/>	<input type="checkbox"/>
<b>Example: LMP</b>	<b>900</b>	<b>2</b>	<b>B</b>	<b>A</b>	<b>F1</b>	<b>A10</b>	<b>N</b>	<b>P01</b>

## Filter element CU

	<b>1</b>	<b>6</b>	<b>4</b>	<b>7</b>	<b>8b</b>
	<input type="checkbox"/>	<input type="checkbox"/>	<input type="checkbox"/>	<input type="checkbox"/>	<input type="checkbox"/>
<b>Example: CU</b>	<b>900</b>	<b>A10</b>	<b>A</b>	<b>N</b>	<b>P01</b> (nr. 2 filter elements required)

### 1 - Style

Filter	Filter element
<input type="checkbox"/> <b>900</b>	<input type="checkbox"/> <b>900</b>
<input type="checkbox"/> <b>901</b>	<input type="checkbox"/> <b>900</b>

### 2 - Filter length

<input type="checkbox"/> <b>900</b>	<input type="checkbox"/> <b>1</b>	<input type="checkbox"/> <b>2</b>	With 1 CU 900 filter element
<input type="checkbox"/> <b>901</b>	<input type="checkbox"/> <b>1</b>	<input type="checkbox"/> <b>2</b>	With 2 CU 900 filter elements

### 3 - Valves

<input type="checkbox"/> <b>S</b>	Without bypass
<input type="checkbox"/> <b>B</b>	With bypass

### 4 - Filter seals

<input type="checkbox"/> <b>A</b>	NBR
<input type="checkbox"/> <b>V</b>	FPM

### 5 - Connections

#### Flange LMP 900 - 901

Type	Size
<b>F1</b>	3" SAE 3000 psi/M
<b>F2</b>	3" SAE 3000 psi/UNC
<b>F3</b>	4" SAE 3000 psi/M
<b>F4</b>	4" SAE 3000 psi/UNC

### 6 - Filter element

<input type="checkbox"/> <b>A03</b>	Inorganic microfibre 3 µm	Absolute filtration Inorganic Microfibre βx (c) ≥ 1000
<input type="checkbox"/> <b>A06</b>	Inorganic microfibre 6 µm	
<input type="checkbox"/> <b>A10</b>	Inorganic microfibre 10 µm	
<input type="checkbox"/> <b>A16</b>	Inorganic microfibre 16 µm	
<input type="checkbox"/> <b>A25</b>	Inorganic microfibre 25 µm	
<input type="checkbox"/> <b>M25</b>	Wire mesh 25 µm	Nominal Filtration
<input type="checkbox"/> <b>M60</b>	Wire mesh 60 µm	
<input type="checkbox"/> <b>M90</b>	Wire mesh 90 µm	

### 7 - Max filter element differential pressure

<input type="checkbox"/> <b>N</b>	Δp 20 bar
-----------------------------------	-----------

### 8 - Option

#### a - Filter

<input type="checkbox"/> <b>P01</b>	MP Filtri standard
<input type="checkbox"/> <b>P02</b>	Maintenance from base of housing (only for LMP 900 - 901 length 2)
<input type="checkbox"/> <b>Pxx</b>	Customer request

#### b - Filter element

<input type="checkbox"/> <b>P01</b>	MP Filtri standard
<input type="checkbox"/> <b>Pxx</b>	Customer request

**For Clogging Indicator:**  
See page 318

**MP Filtri** - The filter functions as described in this bulletin are valid exclusively for original MP Filtri filter elements and replacement parts. All rights reserved.

The data in this publication are purely guideline. MP Filtri reserves the right to make changes to the models described herein at any time it deems fit in relation to technical or commercial requirements. The colours of the products shown on the cover are purely guideline. Copyright. All rights reserved.