

LMP 210 - 211 LDP

Maximum pressure 60 bar
Flow rates to 330 l/min



Technical data

Filter housing (Materials)

- Head: Aluminium
- Bowl: Cathaphoresis Painted Steel
- Bypass valve: AISI 304 - Nylon

Pressure

- Working pressure: 60 bar (6 MPa)
- Test pressure: 90 bar (9 MPa)
- Burst pressure: 210 bar (21 MPa)
- Pulse pressure fatigue test: 1.000.000 cycles with pressure from 0 to 60 bar (6 MPa)

Temperature

- From -25 °C to +110 °C

Bypass valve

- Opening pressure 3,5 bar \pm 10%
- Other opening pressures on request.

Δp Elements type

- Microfibre filter elements series N: 20 bar
- Fluid flow through the filter element from OUT to IN.

Seals

- Standard NBR series A
- Optional FPM series V

LMP 210/211 - LDP FILTERS ARE PROVIDED FOR VERTICAL MOUNTING

Weights (kg)

Length	1	2	3
• LMP210-211	3,10	4,80	6,40
• LDP016	2,90	-	-
• LDP025	3,10	-	-
• LDP040	4,90	-	-

Volumes (dm³)

Length	1	2	3
• LMP210-211	1,60	2,10	2,80
• LDP016	1,10	-	-
• LDP025	1,60	-	-
• LDP040	2,30	-	-

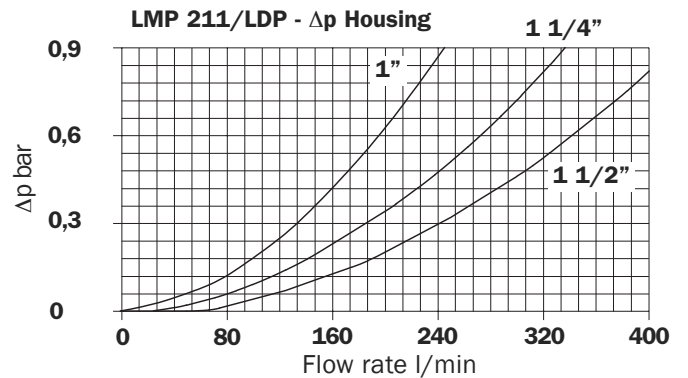
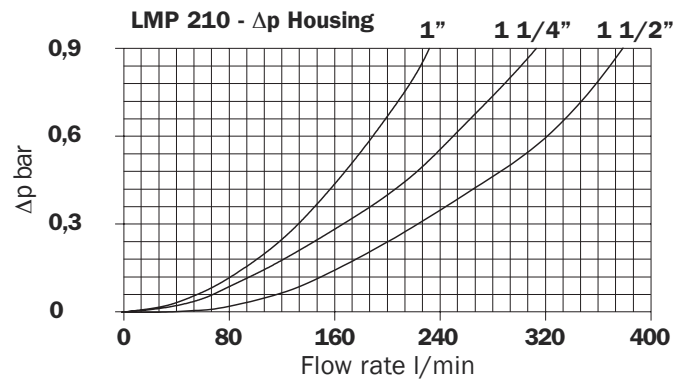
Connections

- LMP 210/211 - LDP: Inlet/Outlet In-Line

Filter housings Δp pressure drop

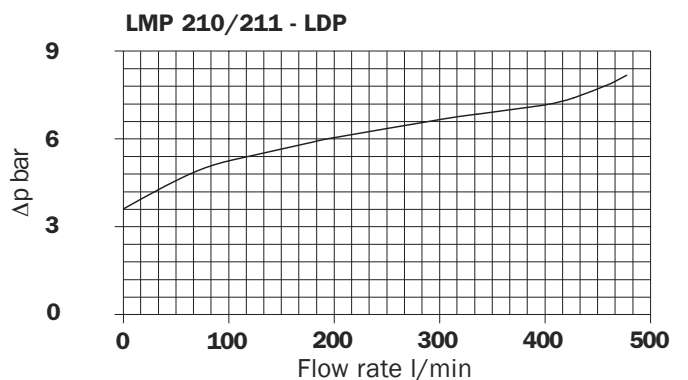
The curves are plotted utilising mineral oil with density of 0,86 kg/dm³ to ISO 3968.

Δp varies proportionally with density.



Valves

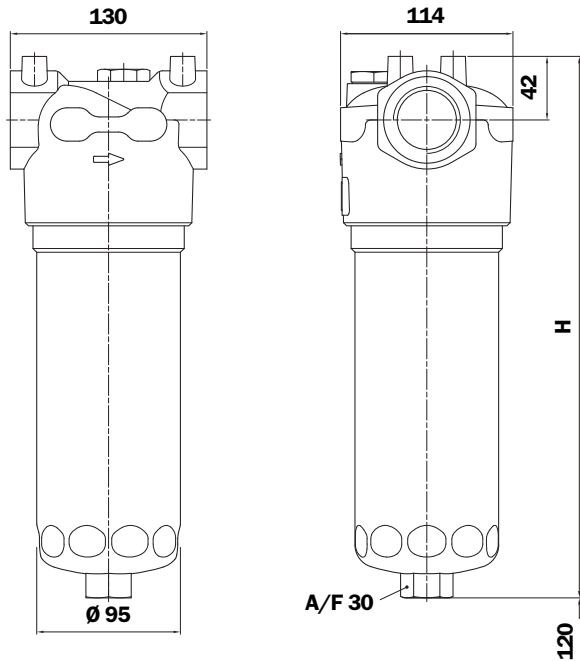
Bypass valve pressure drop



LMP 211

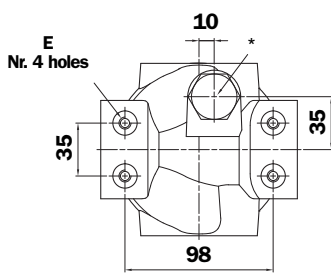
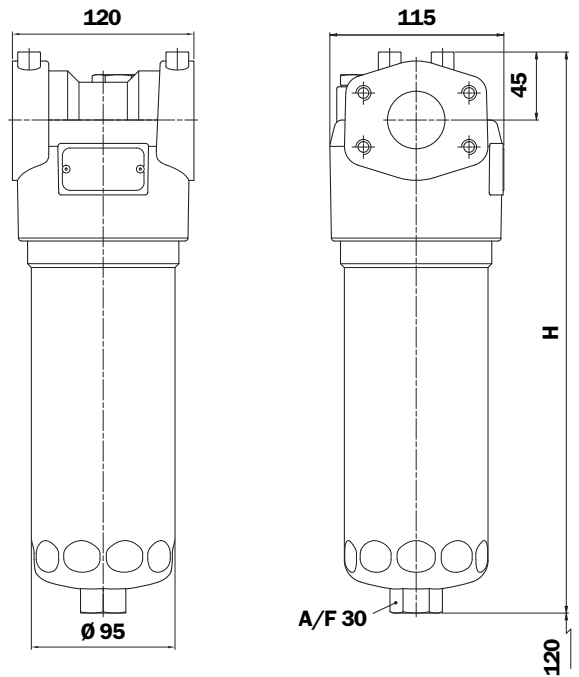
LDP DIN 24550

Threaded connections

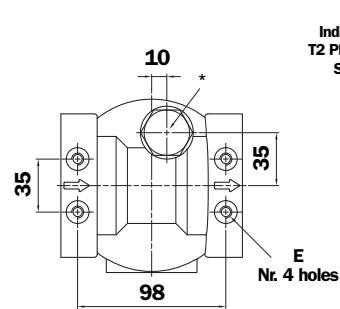


LMP 210

Flanged connections



*
Indicator port
T2 Plug - A/F 30
Standard



*
Indicator port
T2 Plug - A/F 30
Standard

LMP 211

Length Filter	H mm
1	357
2	487
3	625

LDP - DIN 24550

Length Filter	H mm
016	267
025	357
040	507

LMP 210

Length Filter	H mm
1	360
2	492
3	630

LMP 211 - LDP

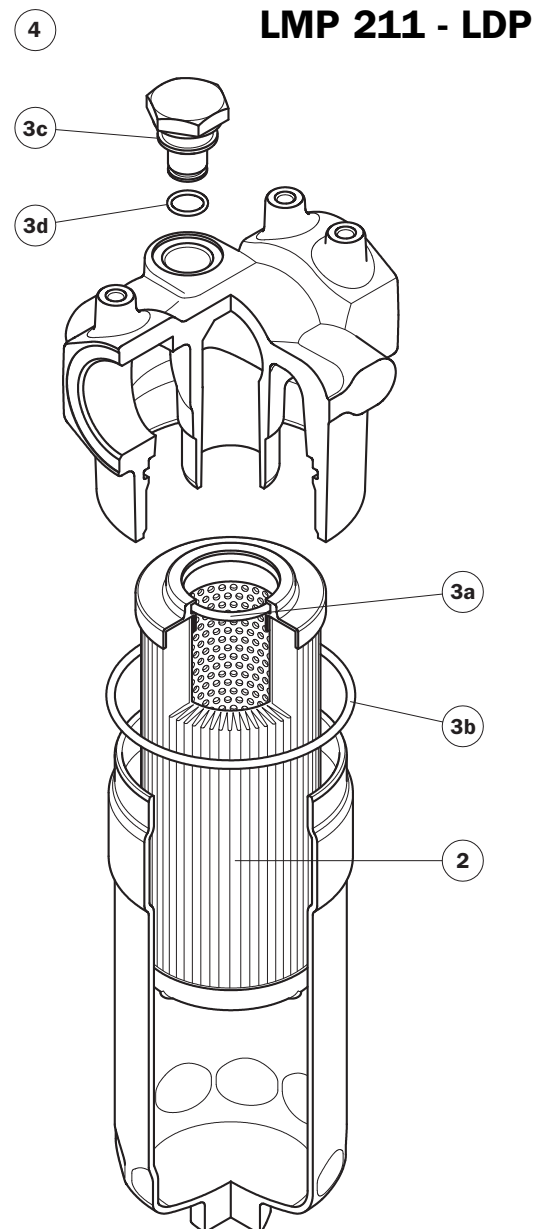
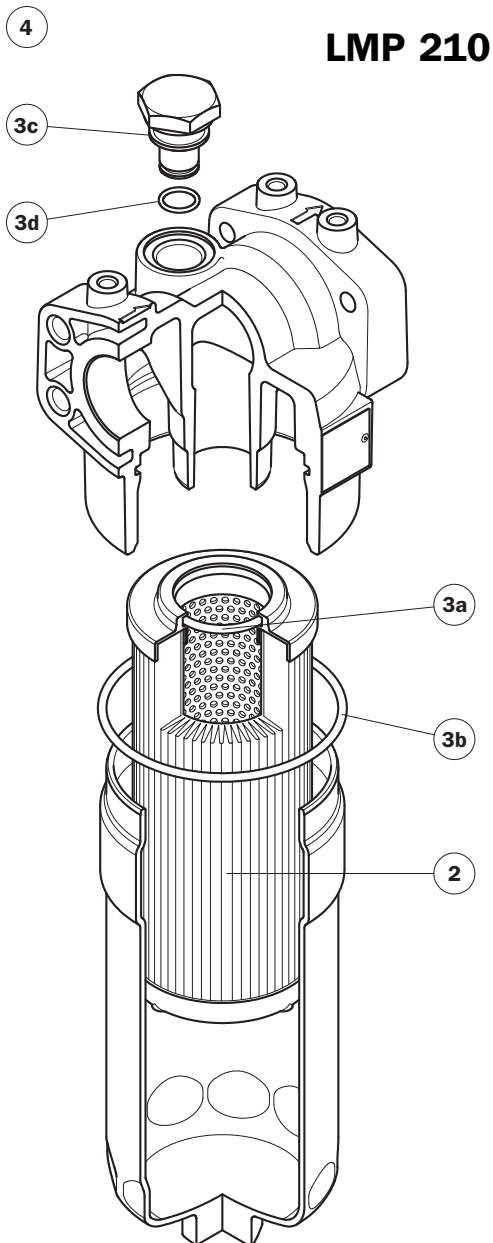
Thread connections

Type	Size	E Depth 12 mm
A	G 1"	M8
B	G 1 1/4"	M8
C	G 1 1/2"	M8
D	1" NPT	5/16" UNC
E	1 1/4" NPT	5/16" UNC
F	1 1/2" NPT	5/16" UNC
G	SAE 16 - 15/16" - 12 UN	5/16" UNC
H	SAE 20 - 15/8" - 12 UN	5/16" UNC
I	SAE 24 - 17/8" - 12 UN	5/16" UNC

LMP 210

Flange connections

Type	Size	E Depth 12 mm
F1	1" SAE 3000 psi/M	M8
F2	1 1/4" SAE 3000 psi/M	M8
F3	1 1/2" SAE 3000 psi/M	M8
F4	1" SAE 3000 psi/UNC	5/16" UNC
F5	1 1/4" SAE 3000 psi/UNC	5/16" UNC
F6	1 1/2" SAE 3000 psi/UNC	5/16" UNC



Item	Description	Q.ty	FILTER Series LMP 210/211 - LDP	
1	Filter assembly	1	See order table	
2	Filter element	1	See order table	
3	Seal Kit	1	NBR 02050435	FPM 02050436
3a	O-Ring filter element	1	O-R 144 Ø 39,69 x 3,53	
3b	O-Ring housing	1	O-R 4375 Ø 94,84 x 3,53	
3c	Seal for indicator	1	NBR 01030058	FPM 01030046
3d	O-Ring for indicator	2	O-R 2050 Ø 12,42 x 1,78	
4	Indicator connection plug	1	T2H	T2V
-	Indicator	1	See order table	

Ordering information LMP 210 - 211

Filter assembly

LMP

	1	2	3	4	5	6	7	8	9
Example 1: LMP	210	2	B	A	F1	-	A10	N	P01
Example 2: LMP	211	2	B	A	A	6	A10	N	P01

Filter element

CU

	1	2	7	4	8	9
Example 1: CU	210	2	A10	A	N	P01
Example 2: CU	210	2	A10	A	N	P01

1 - Style

Filter	Filter element
210	210
211	210

2 - Filter length

210	1	2	3
211	1	2	3

3 - Valves

S	Without bypass
B	With bypass (opening pressure: 3,5 bar)

4 - Filter seals

A	NBR
V	FPM
W	NBR (compatible with fluid HFA, HFB, HFC)

5 - Connections

Flange

LMP 210

Type	Size
F1	1" SAE 3000 psi/M
F2	1 1/4" SAE 3000 psi/M
F3	1 1/2" SAE 3000 psi/M
F4	1" SAE 3000 psi/UNC
F5	1 1/4" SAE 3000 psi/UNC
F6	1 1/2" SAE 3000 psi/UNC

Threaded

LMP 211

Type	Size
A	G 1"
B	G 1 1/4"
C	G 1 1/2"
D	1" NPT
E	1 1/4" NPT
F	1 1/2" NPT
G	SAE 16 - 1 5/16" - 12 UN
H	SAE 20 - 1 5/8" - 12 UN
I	SAE 24 - 1 7/8" - 12 UN

6 - Indicator port (only for LMP 211)

6	With plugged indicator port
----------	-----------------------------

7 - Filter element

A03	Inorganic microfibre 3 µm	Absolute filtration Inorganic Microfibre βx (c) ≥ 1000
A06	Inorganic microfibre 6 µm	
A10	Inorganic microfibre 10 µm	
A16	Inorganic microfibre 16 µm	
A25	Inorganic microfibre 25 µm	
M25	Wire mesh 25 µm	Nominal Filtration
M60	Wire mesh 60 µm	
M90	Wire mesh 90 µm	
P10	Resin - Impregnated paper	Nominal Filtration
P25	Resin - Impregnated paper	

8 - Max filter element differential pressure

N	Δp 20 bar
----------	-----------

9 - Option

P01	MP Filtri standard
Pxx	Customer request

For Clogging Indicator:
See page 318

MP Filtri - The filter functions as described in this bulletin are valid exclusively for original MP Filtri filter elements and replacement parts. All rights reserved.

The data in this publication are purely guideline. MP Filtri reserves the right to make changes to the models described herein at any time it deems fit in relation to technical or commercial requirements. The colours of the products shown on the cover are purely guideline. Copyright. All rights reserved.

Filter assembly LDP

	1	2	3	4	5	6	7	8
	<input type="checkbox"/>	<input type="checkbox"/>	<input type="checkbox"/>	<input type="checkbox"/>	<input type="checkbox"/>	<input type="checkbox"/>	<input type="checkbox"/>	<input type="checkbox"/>
Example: LDP	016	B	A	A	6	A10	N	P01

Filter element DN

	1	6	3	7	8
	<input type="checkbox"/>	<input type="checkbox"/>	<input type="checkbox"/>	<input type="checkbox"/>	<input type="checkbox"/>
Example: DN	016	A10	A	N	P01

1 - Style

Filter

016

025

040

Filter element

016 Filter element in according to:
DIN 24550 - T3 DN160

025 Filter element in according to:
DIN 24550 - T3 DN250

040 Filter element in according to:
DIN 24550 - T3 DN400

2 - Valves

S Without bypass

B With bypass
(opening pressure: 3,5 bar)

3 - Filter seals

A NBR

V FPM

W NBR (Compatible with fluid HFA, HFB, HFC)

4 - Connections

Threaded

LDP

Type	Size
A	G 1"
B	G 1 1/4"
C	G 1 1/2"
D	1" NPT
E	1 1/4" NPT
F	1 1/2" NPT
G	SAE 16 - 1.5/16" - 12 UN
H	SAE 20 - 1.5/8" - 12 UN
I	SAE 24 - 1.7/8" - 12 UN

5 - Indicator port

6 With plugged indicator port

6 - Filter element

A03	Inorganic microfibre 3 µm	Absolute filtration Inorganic Microfibre βx (c) ≥ 1000
A06	Inorganic microfibre 6 µm	
A10	Inorganic microfibre 10 µm	
A16	Inorganic microfibre 16 µm	
A25	Inorganic microfibre 25 µm	
M25	Wire mesh 25 µm	Nominal Filtration
M60	Wire mesh 60 µm	
M90	Wire mesh 90 µm	
P10	Resin - Impregnated paper	Nominal Filtration
P25	Resin - Impregnated paper	

7 - Max filter element differential pressure

N Δp 20 bar

8 - Option

P01 MP Filtri standard

Pxx Customer request

For Clogging Indicator:
See page 318

MP Filtri - The filter functions as described in this bulletin are valid exclusively for original MP Filtri filter elements and replacement parts. All rights reserved.

The data in this publication are purely guideline. MP Filtri reserves the right to make changes to the models described herein at any time it deems fit in relation to technical or commercial requirements. The colours of the products shown on the cover are purely guideline. Copyright. All rights reserved.