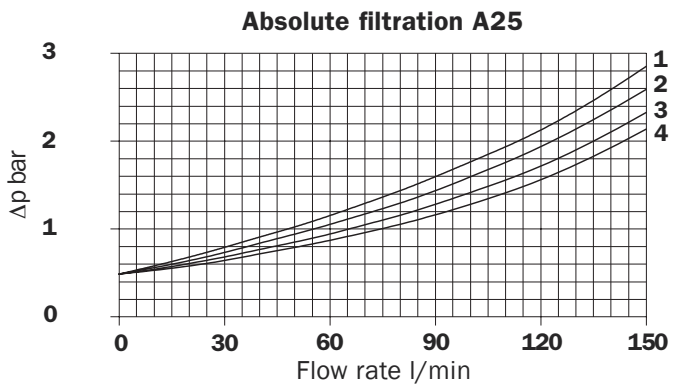
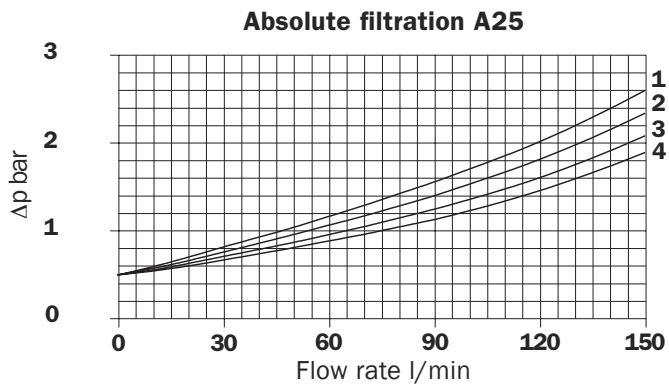
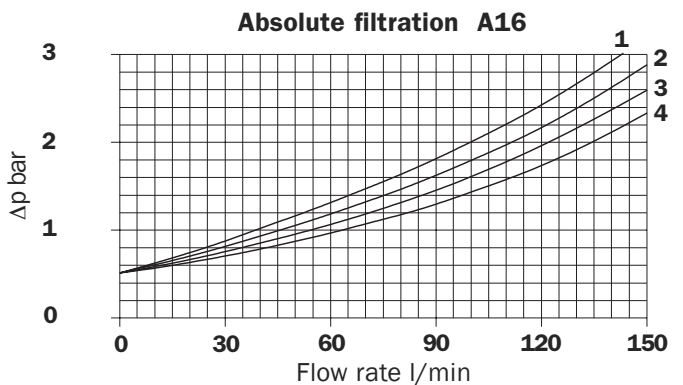
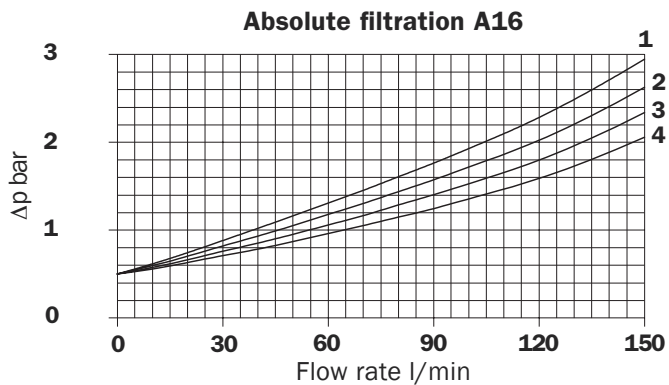
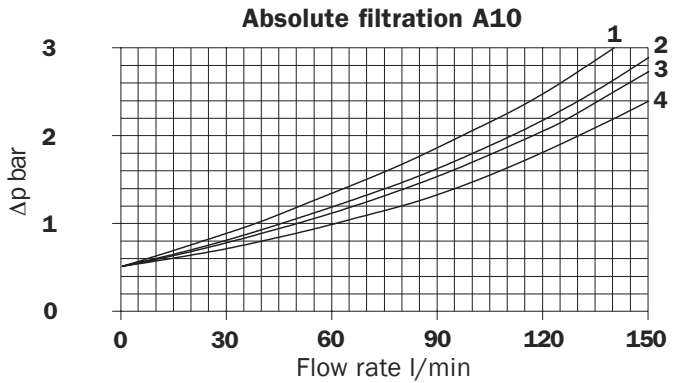
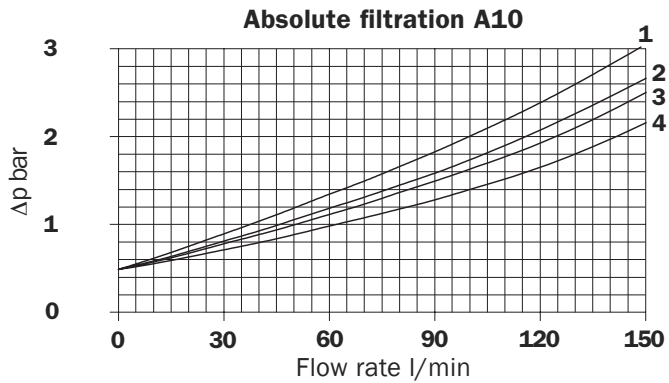


**Style**  
**C - D - E - F**

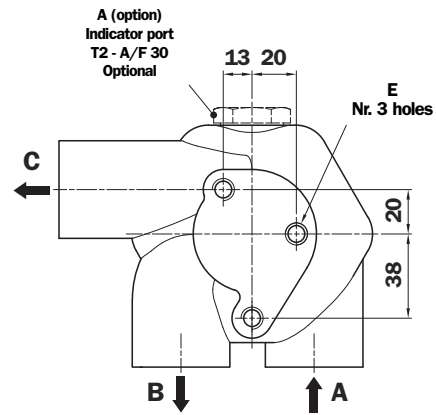
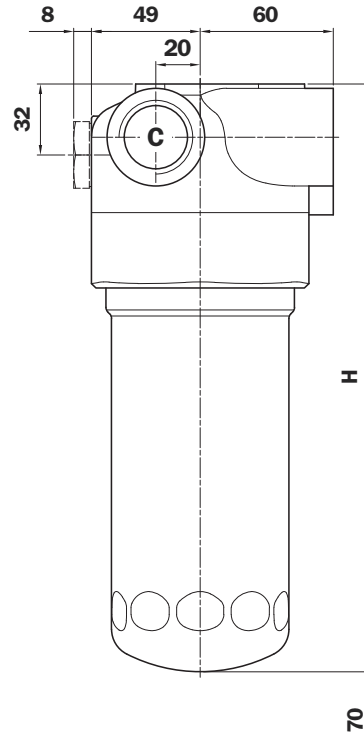
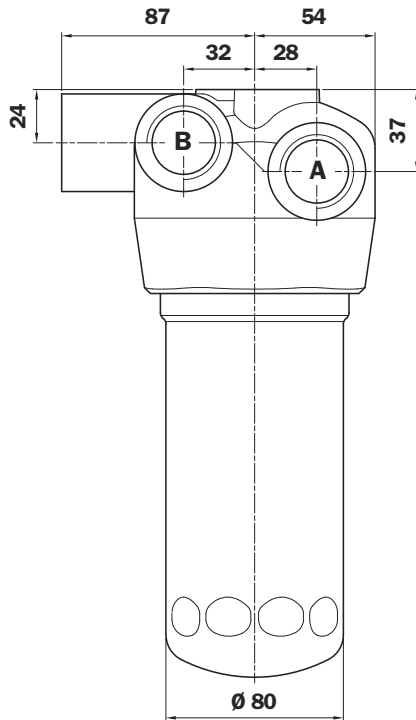
**Style**  
**G - H**

**LMP 124 - Filter length: 1 - 2 - 3 - 4**





# LMP 124



## LMP 124

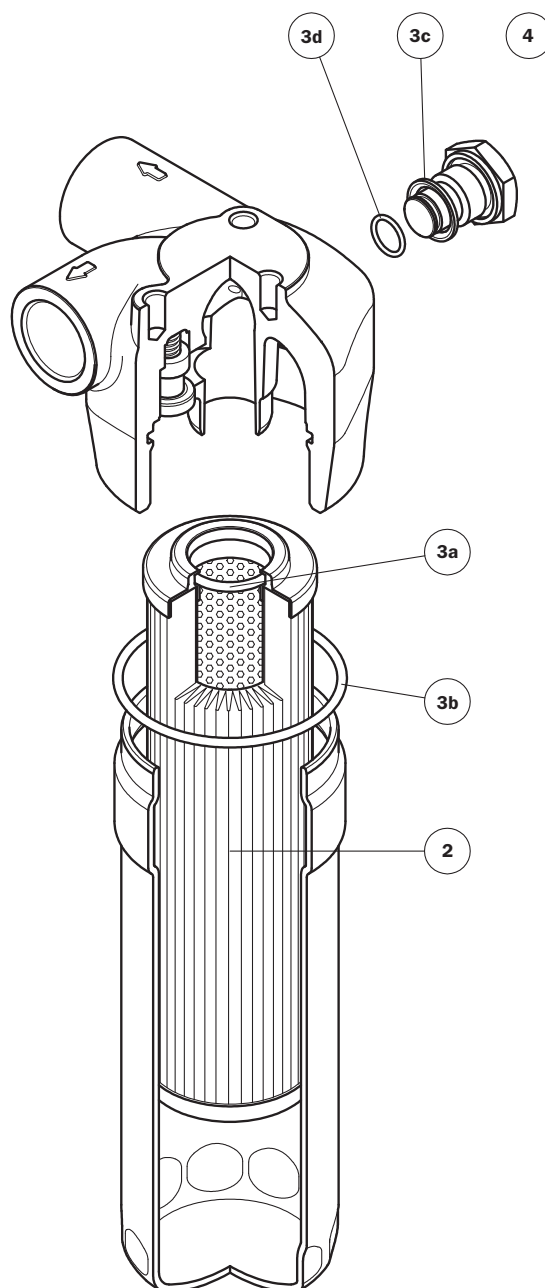
Length Filter	H mm
1	182
2	215
3	265
4	365

## LMP 124

### Thread connections

Type	Size	E Depth 12 mm
B	G 1"	M10
F	SAE 16 - 1 5/16" - 12 UN	3/8" UNC

# Spare parts



Item	Description	Q.ty	FILTER Series LMP MULTIPORT	
			NBR	FPM
1	Filter assembly	1	See order table	
2	Filter element	1	See order table	
3	Seal Kit	1	02050478	02050479
3a	O-Ring for filter element	1	O-R 4125 Ø 31,34 x 3,53	
3b	O-Ring for housing	1	O-R 4312 Ø 78,97 x 3,53	
3c	Seal for indicator	1	01030058	01030046
3d	O-Ring for indicator	1	O-R 2050 Ø 12,42 x 1,78	
4	Indicator connection plug	1	T2H	T2V
-	Indicator	1	See order table	

# Ordering information LMP 124

<b>Filter assembly</b>	<b>1</b>	<b>2</b>	<b>3</b>	<b>4</b>	<b>5</b>	<b>6</b>	<b>7</b>	<b>8</b>	<b>9</b>
<b>LMP</b>	<input type="checkbox"/>	<input type="checkbox"/>	<input type="checkbox"/>	<input type="checkbox"/>	<input type="checkbox"/>	<input type="checkbox"/>	<input type="checkbox"/>	<input type="checkbox"/>	<input type="checkbox"/>

Example: LMP **124 2 C A B 2 A10 N P01**

<b>Filter element</b>	<b>1</b>	<b>2</b>	<b>7</b>	<b>4</b>	<b>8</b>	<b>9</b>
<b>CU</b>	<input type="checkbox"/>	<input type="checkbox"/>	<input type="checkbox"/>	<input type="checkbox"/>	<input type="checkbox"/>	<input type="checkbox"/>

Example: CU **110 2 A10 A N P01**

## 1 - Style

Filter

**124**

Filter element

**110**

## 2 - Filter length

**124**

**1 2 3 4**

## 3 - Valves

**LMP 124**

<b>C</b>	<b>F</b>
<b>D</b>	<b>G</b>
<b>E</b>	<b>H</b>

"HYDRAULIC SYMBOLS" see page 292

## 4 - Filter seals

<b>A</b>	NBR
<b>V</b>	FPM
<b>W</b>	NBR (compatible with fluid HFA, HFB, HFC)
<input type="checkbox"/>	On request

## 5 - Connections

Threaded

Type	Size
<b>B</b>	G 1"
<b>F</b>	SAE 16 - 1 5/16" - 12 UN

## 6 - Indicator port

- 1** Without indicator port
- 2** Port G 1/8" switch For pressure switch
- 3** Port G 1/4" For pressure switch
- 4** Differential indicator port

## 7 - Filter element

- A10** Inorganic microfibre 10 µm
  - A16** Inorganic microfibre 16 µm
  - A25** Inorganic microfibre 25 µm
- } Absolute filtration  
Inorganic  
Microfibre  
βx (c) ≥ 1000

## 8 - Max filter element differential pressure

- N** Δp 20 bar

## 9 - Option

- P01** MP Filtri standard
- Pxx** On request

**For Clogging Indicator:**  
See page 318

**MP Filtri** - The filter functions as described in this bulletin are valid exclusively for original MP Filtri filter elements and replacement parts. All rights reserved.

The data in this publication are purely guideline. MP Filtri reserves the right to make changes to the models described herein at any time it deems fit in relation to technical or commercial requirements. The colours of the products shown on the cover are purely guideline. Copyright. All rights reserved.